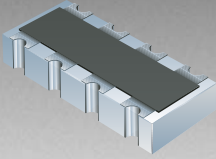


*RoHS COMPLIANT



BOURNS®

Features

- HIGH PERFORMANCE TERMINATION NETWORK
- Miniaturized circuitry and packaging for space reduction
- Designed for gigabit communication networks
- Controlled impedance
- RoHS compliant*

CAT16-PT2F2 - Concave Chip Array

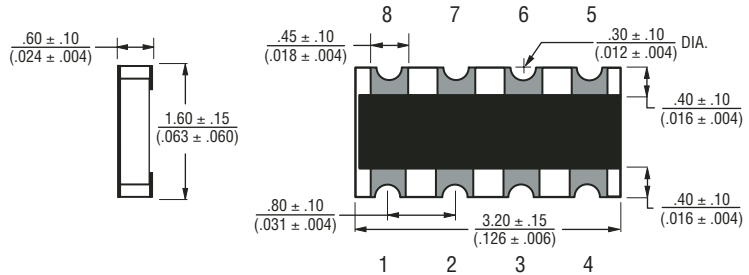
Electrical Characteristics

Resistance

R1	100 ohms
Tolerance	±1%
TCR	±200ppm/°C
Temperature Range	-55°C to +125°C
Max. Operating Voltage5 VDC
Max. Power Resistance0625W
Solderability	>95% Coverage

For Standard Values Used in Capacitors, Inductors, and Resistors, [click here](#).

Product Dimensions

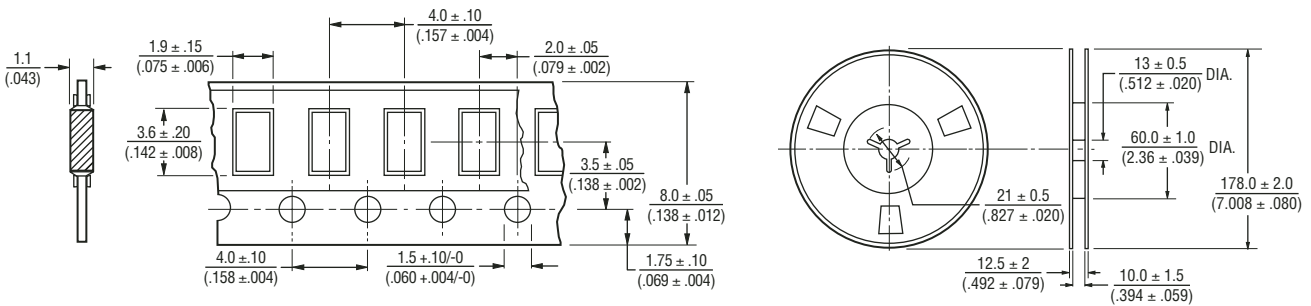


DIMENSIONS ARE: $\frac{\text{MM}}{\text{(INCHES)}}$

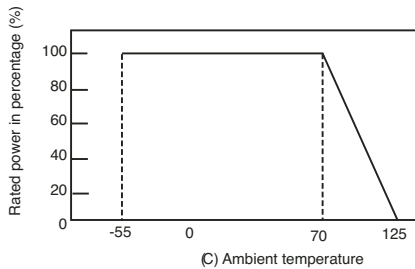


Packaging Specifications

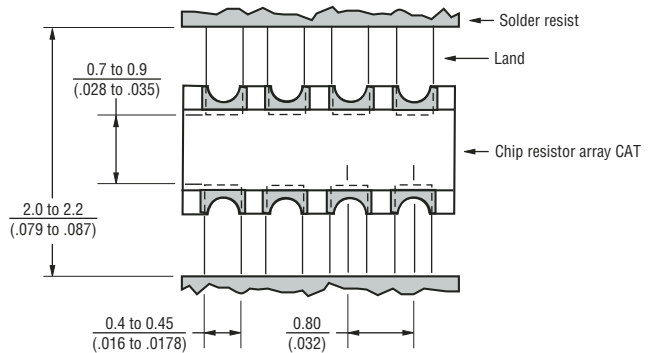
5000 pcs - per 7" reel



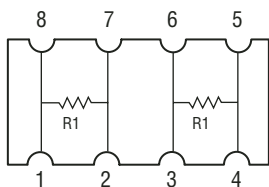
Derating Curve



Land Pattern



Schematic



REV. 05/06

*RoHS Directive 2002/95/EC Jan 27 2003 including Annex. Specifications are subject to change without notice. Customers should verify actual device performance in their specific applications.