

## Han 300A PE axial module, 95-120mm<sup>2</sup> fem.

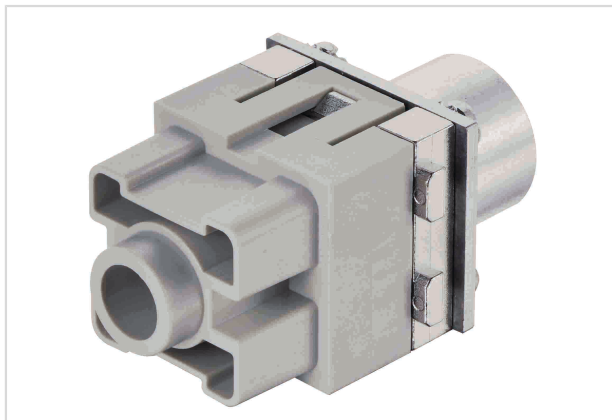


Image is for illustration purposes only. Please refer to product description.

Part number	09 14 001 2781
Specification	Han 300A PE axial module, 95-120mm <sup>2</sup> fem.
HARTING eCatalogue	<a href="https://b2b.harting.com/09140012781">https://b2b.harting.com/09140012781</a>

### Identification

Category	Modules
Series	Han-Modular®
Type of module	Han® 300 A PE module

### Version

Termination method	Axial screw termination
Gender	Female
Number of contacts	1

### Technical characteristics

Conductor cross-section	95 ... 120 mm <sup>2</sup>
Insulation resistance	>10 <sup>10</sup> Ω
Contact resistance	≤0.2 mΩ
Stripping length	19 ... 20 mm
Tightening torque	14 Nm @ 95 mm <sup>2</sup> 16 Nm @ 120 mm <sup>2</sup>
Limiting temperature	-40 ... +125 °C
Mating cycles	≥500

### Material properties

Material (insert)	Polycarbonate (PC)
Colour (insert)	RAL 7032 (pebble grey)
Material (contacts)	Copper alloy



Pushing Performance

## Material properties

Surface (contacts) Silver plated

Material flammability class acc. to UL 94 V-0

## Specifications and approvals

Specifications EN 60664-1  
IEC 61984

## Commercial data

Packaging size 1

Net weight 95 g

Country of origin Germany

European customs tariff number 85366990

eCl@ss 27440217 Module for industrial connectors (power/signals)