

# DUAL PORT 100BASE-T TRANSFORMER

## Electrical Specifications: @25 °C

Turns Ratio: PRI/SEC 1CT:1CT

Isolation Voltage: 1500 Vrms (Input to Output)

OCL: 350uH Minimum @100KHz 100mV 8mADC

Insertion Loss: -1.0dB Maximum @100KHz - 100MHz

Return Loss: -18dB Minimum @1MHz-30MHz

-14dB Minimum @40MHz

-13dB Minimum @50MHz

-12dB Minimum @60MHz-80MHz

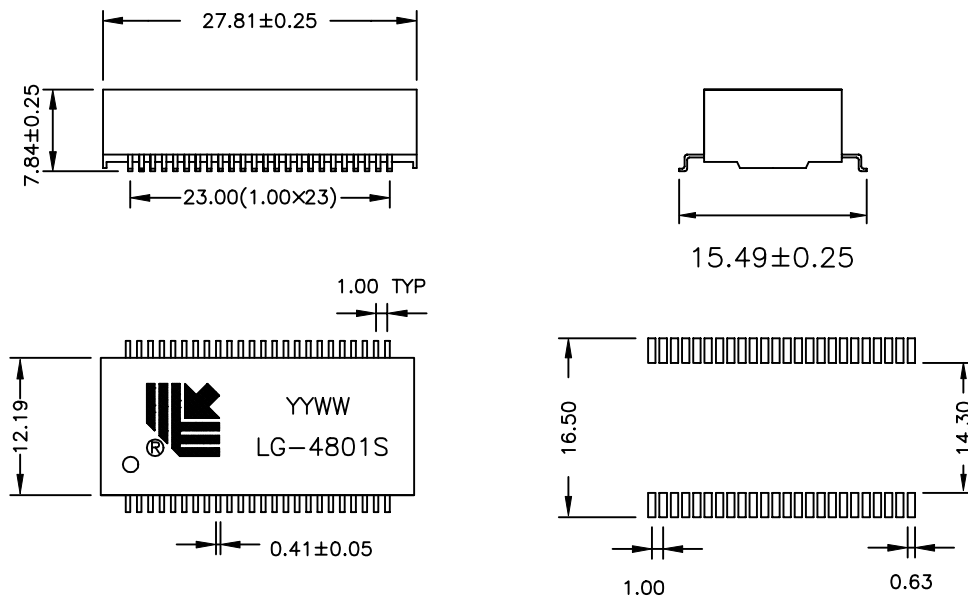
-10dB Minimum @100MHz

Crosstalk: -45dB Min @30MHz / -40dB Min @60MHz / -35dB Min @100MHz

Differential to Common Mode Rejection:

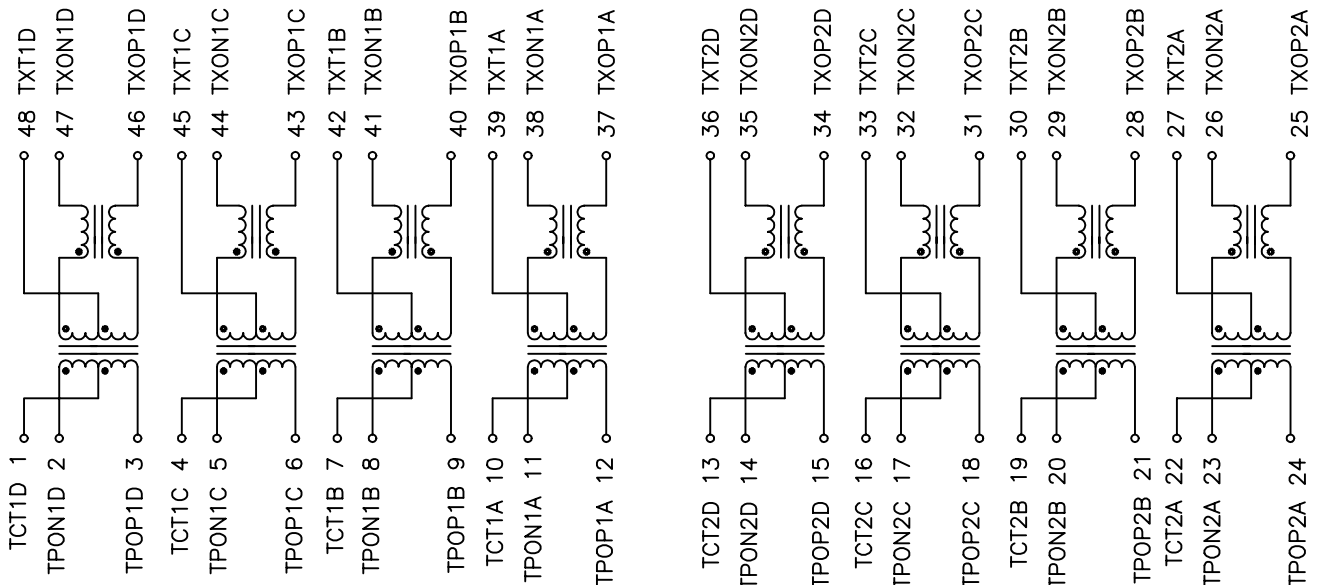
-43dB Min @30MHz / -37dB Min @60MHz / -33dB Min @100MHz

## Mechanicals:



SUGGESTED PCB PAD LAYOUT

## Schematics:



\*Specification Subject to Change Without Notice

P/N: LG-4801S	DIMENSIONS IN MM	Unless otherwise specified Dim. Tolerances are: .x ±0.20 .xx ±0.15 .xxx ±0.10	REV: A	DRWN:	DATE:
	SCALE: NONE		PAGE:1/1	APPD:	DATE: