

PLEASE CHECK WWW.MOLEX.COM FOR LATEST PART INFORMATION

Part Number: [0190160069](#)
Status: **Active**
Description: Krimptite™ Quick Disconnect, Female, for 10-12 (5.00-3.30) Wire, Box, Tab 6.35mm (.250") x 0.81mm (.032")

Documents:

[Drawing \(PDF\)](#) [RoHS Certificate of Compliance \(PDF\)](#)

Agency Certification

CSA	LR18689
UL	E79133

General

Product Family	Quick Disconnects
Series	19016
Comments	Butted Seam
Crimp Quality Equipment	Yes
MolexKits	Yes
Product Name	Krimptite™
Type	Quick Disconnect

Physical

Barrel Type	Closed
Gender	Female
Glow-Wire Compliant	No
Insulation	None
Lock to Mating Part	None
Material - Metal	Brass
Orientation	Straight
Packaging Type	Bag
Polarized to Mating Part	No
Tab Thickness	0.81mm (.032")
Tab Width	6.35mm (.250")
Temperature Range - Operating	Per Wire Specification
Wire Size AWG	10, 12
Wire Size mm ²	3.30 - 5.00

Electrical

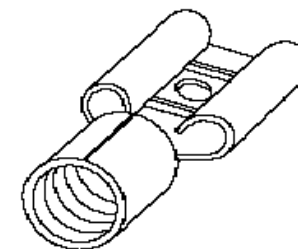
Voltage - Maximum	Per Wire Specification
-------------------	------------------------

Material Info

Old Part Number	C-1143
-----------------	--------

Reference - Drawing Numbers

Sales Drawing	SD-19016-002
---------------	--------------



*Series
image - Reference only*

EU RoHS

**ELV and RoHS
Compliant**
**REACH SVHC
Contains SVHC: No**
**Halogen-Free
Status**

China RoHS



**Need more information on product
environmental compliance?**

Email productcompliance@molex.com
 For a multiple part number RoHS Certificate of Compliance, [click here](#)

Please visit the [Contact Us](#) section for any non-product compliance questions.

Search Parts in this Series

[19016Series](#)

Application Tooling | [FAQ](#)

Tooling specifications and manuals are found by selecting the products below. Crimp Height Specifications are then contained in the Application Tooling Specification document.

Global

Description	Product #
Crimp Hand Tool	0640031300
Crimp Head for the AT-200™ Pneumatic Hand Tool	0640071300

10

9

8

7

6

5

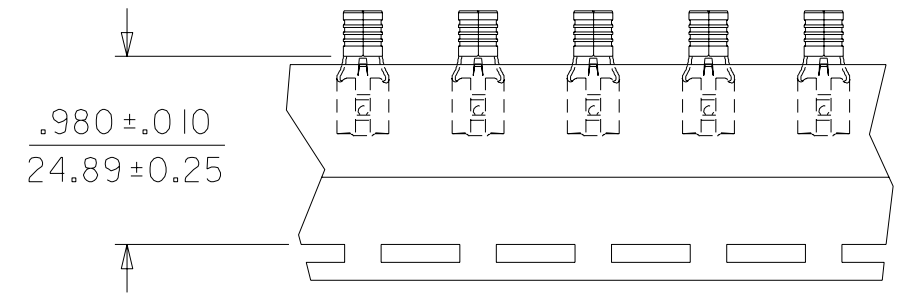
4

3

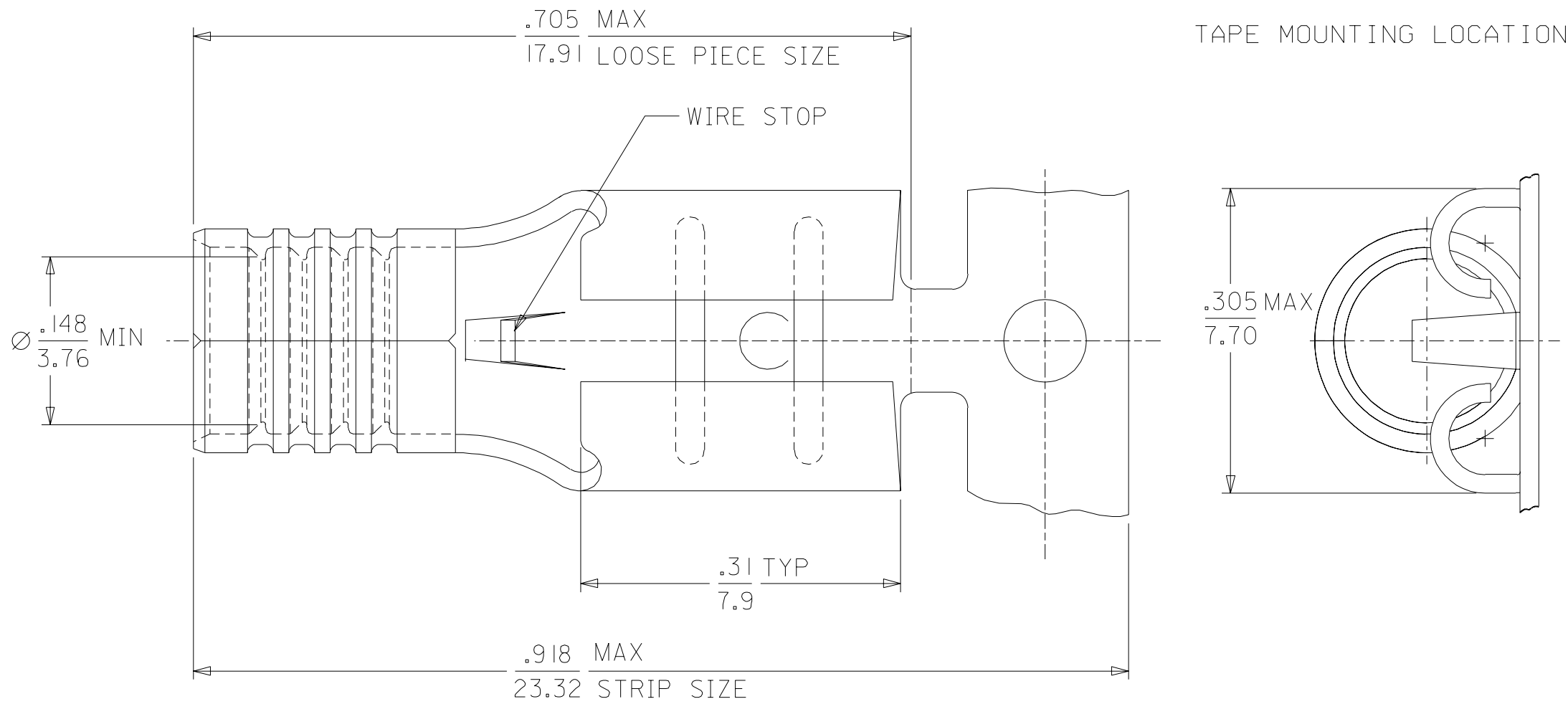
2

SD-19016-002

MATERIAL NUMBER	ENGINEERING NUMBER	PACKAGING
190160069	C-1143	LOOSE PIECE
190160073	CZ-1143	STRIP
190160070	C-1143T	TAPE



TAPE MOUNTING LOCATION



SALES DRAWING

NOTES:
 1. MATERIAL: COPPER.
 PLATING: ELECTRO-TIN

NEW RELEASE EC NO. ETC2003-0024 DRWN: BRE 02/07/30 CHK: HEB 02/07/30 APPR: RWD 02/07/30	QUALITY SYMBOLS MAJOR $\nabla=0$ CRITICAL $\nabla C=0$	GENERAL TOLERANCES: (UNLESS SPECIFIED)		SCALE 10:1	DESIGN UNITS <input type="checkbox"/> mm <input checked="" type="checkbox"/> INCH	THIRD ANGLE PROJECTION <input checked="" type="checkbox"/> THIRD ANGLE <input type="checkbox"/> FIRST ANGLE	DIMENSIONS: <input type="checkbox"/> mm <input checked="" type="checkbox"/> INCH <input type="checkbox"/> mm ONLY	SHT	REV	
				DRAWN BY & DATE	TITLE: QUICK DISCONNECT RECEPTACLE 12-10 AWG .250 X .032 TAB SIZE					
				CHECKED BY & DATE	MOLEX INCORPORATED					
				APPROVED BY & DATE	CAD FILENAME		MATERIAL NO. SEE CHART	DRAWING NO. SD-19016-002	SHEET NO. 1 OF 1	
A	REV	ANGULAR: $\pm 1/2^\circ$		THIS DRAWING CONTAINS INFORMATION THAT IS PROPRIETARY TO MOLEX INCORPORATED AND SHOULD NOT BE USED WITHOUT WRITTEN PERMISSION.				SIZE B		
DRAFT WHERE APPLICABLE MUST REMAIN WITHIN DIMENSIONS										

9

8

7

6

5

4

3

2

1