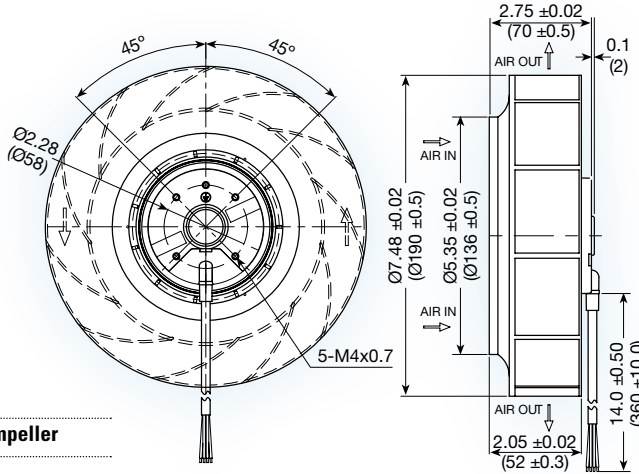


UF190APA series



(190 dia. x 70 mm)
7.48 dia. x 2.75 inches



Features: backward curved impeller

Operating voltage: 115 or 230 VAC

Operating temp. -40° ~ 50°C

Construction: aluminum die cast motor base;
UL94V-0 reinforced nylon
impeller

Bearing option: ball bearing

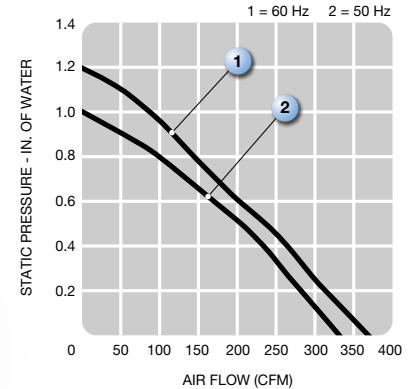
Motor: permanent split capacitor
required capacitor included

Air Flow: centrifugal

Connection: 22 AWG lead wires

Protection: thermal

Option: tachometer output



Model No.	Rated Voltage V	Freq. HZ	Input Power W	Rated Cur. A	Locked Cur. A	Speed RPM	Air Volume		Max. Static Pressure (H ₂ O)		Sound Noise dba	Weight kg
							M ³ /Min.	CFM	MM	INCH		
UF190APA12-H1C2A	115	50	55	0.45	0.92	2,500	9.5	335	25	1.0	60	1.2
	115	60	65	0.54	0.91	2,700	10.4	370	30	1.2	63	1.2
UF190APA23-H1C2A	230	50	57	0.23	0.43	2,500	9.5	335	25	1.0	60	1.2
	230	60	72	0.30	0.45	2,700	10.4	370	30	1.2	63	1.2

