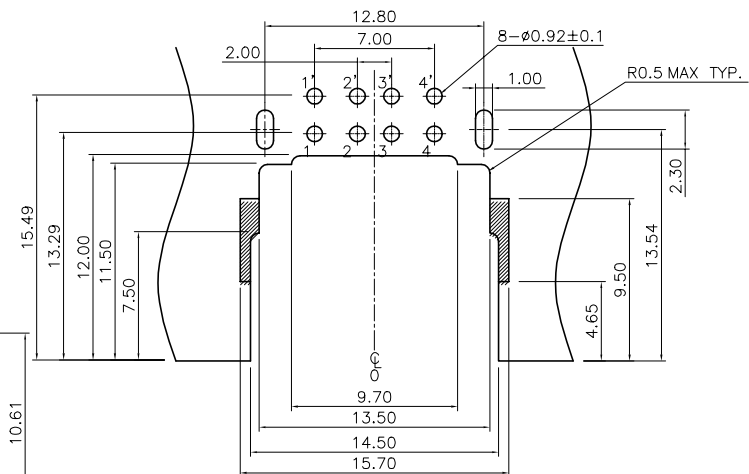


Recommended P.C.B Layout



NOTE:  
020122MR008 □□11ZU

1. Selective plating
- 'S1,-05u" Min. gold in contact area/  
100u" Min. Tin in solder area.
  - 'S2,-Gold flash in contact area/  
100u" Min. Tin in solder area.
  - 'S3,-10u" Min. gold in contact area/  
100u" Min. Tin in solder area.
  - 'S4,-15u" Min. gold in contact area/  
100u" Min. Tin in solder area.
  - 'S5,-30u" Min. gold in contact area/  
100u" Min. Tin in solder area.
  - 'S6,-50u" Min. gold in contact area/  
100u" Min. Tin in solder area.

5	Top Shell	Stainless Steel	—	NI
4	Middle Shell	Stainless Steel	—	NI
3	Terminal	Phos.Bronze	—	GL0D/TIN
2	Shell	Stainless Steel	—	NI
1	Plastic	LCP	BLACK	UL90V-0
NO.	DESCRIPTION	MATERIAL	COLOR	REMARK

**SUYIN**  
CONNECTOR

CUSTOMER COPY TITLE: USB Series A Type Dual Port Dip Type

EC1T-021114-07	D	02/11/14	E1: 增加新料號 D1: 增加偷料孔; D2: 修改鐵殼彈片	宋勃逸	宋權哲	Angle	±2°	DRAW	李儒平	01/06/26	PART NO.	020122MR008SX11ZU
EC1T-020923-03	C	02/09/23	C1: 變更PAD方向	宋勃逸	宋權哲	30 ~ 30	±0.30	DESIGN	李儒平	01/06/26	PART NO. (OLD)	2522A-08GX-TK
EC1T-020718-06	B	02/07/18	取消系列表, 變更料號	周濤	李儒平	~ 10	±0.15	CHECK	張志璋	01/06/26	DRAWING NO.	020122MR008SX11ZU
ECN (DCN) NO.	REV	DATE	DESCRIPTION	CHANGE	APPRO.	GENERAL TOLERANCE UNLESS OTHERWISE NOTED		APPRO.	張志璋	01/06/26	SCALE	4:1
											UNIT	mm
											A4	