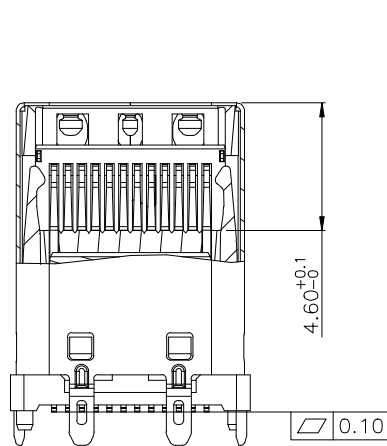


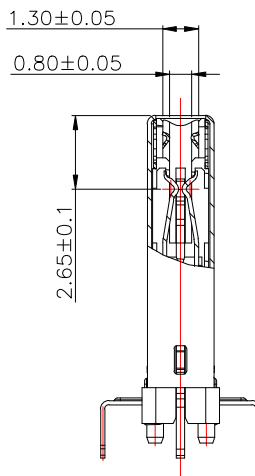
NOTE:

- 1.MATERIAL SPECIFICATION:
 - 1.HOUSING&PICKUP COVER:LCP,UL94 V-0.
 - 2.CONTACTS: COPPER ALLOY(C7025)
 - 3.LATCH: STAINLESS STEEL(SUS301)
 - 4.SPRING: STAINLESS STEEL(SUS304)
 - 4.FRONT SHELL: STAINLESS STEEL(SUS304)
- 2.PLATING SPECIFICATION:
 - 2-1.CONTACTS:
 - Ni 50u" MIN. UNDER PLATED OVER ALL.
 - Au PLATED ON THE FUNCTIONAL AREA OF CONTACT.
 - (GOLD PLATING THICKNESS FOLLOW THE P/N)
 - PLATING SPECIFICATIONS OF THE SOLDER AREA FOLLOW THE P/N
 - 2-2.FRONT SHELL:
 - Ni 30u" MIN. UNDER PLATED OVER ALL.
 - 2-3.LATCH:
 - Ni 50u" MIN. UNDER PLATED OVER ALL.
 - 80u" MIN. TIN PLATED ON SOLDER AREA.
 - 2-4.SPRING:
 - CLEAR ONLY
- 3.MECHANICAL PERFORMANCE,
 - 3-1.INSERTION FORCE: 0.5~2.0kgf.
 - 3-2.REMOVAL FORCE: 0.8kgf~2.0kgf.
 - 3-3.DURABILITY: 10000 CYCLES.
- 4.ELECTRICAL PERFORMANCE,
 - 4-1. CURRENT RATING:3.0A
 - VOLTAGE RATING:5.0V
 - 4-2. LLCR:
 - VBUS & GND PINS AND OTHER PINS: 40mA/PIN MAX.
 - SHIELD: 50mA/MAX.
 - LLCR MAX. CHANGE OF ALL PINS: 10mA.
 - 4-3.INSULATION RESISTANCE: 100MΩ MIN
 - 4-4.DIELECTRIC WITHSTAND VOLTAGE,AC 100V FOR 1 MINUTE.
5. ENVIRONMENTAL PERFORMANCE:
 - OPERATING TEMPERATURE: -25°C~+85°C.
- 6.IR REFLOW:
 - THE PEAK TEMPERATURE ON THE BOARD SHALL BE MAINTAINED FOR 10 SECONDS AT 260°C.

| | | | | |
|---------------------------------------|----------|---|---|-----------------|
| MANUFACTURE DWG | | 东莞市讯普电子科技有限公司 DongGuan XunPu Electronics Co.,Ltd | TITLE: USB CM VERTICAL TYPE HIGHT=11.1 | |
| UNLESS OTHERWISE SPECIFIED TOLERANCES | | | PAR | TYPEC-953-ACP24 |
| DECIMALS: | ANGLES: | DWN | | |
| .X:±0.30 | .X':±10° | CHKD | | |
| .XX:±0.20 | .X':±8° | APVD | | |
| .XXX:±0.10 | .XX':±5° | SCALE1:1 | UNIT:MM | |
| | | SIZE:A4 | SHEET:1F1 | |
| | | CUSTOMER COPY | REV:A | |



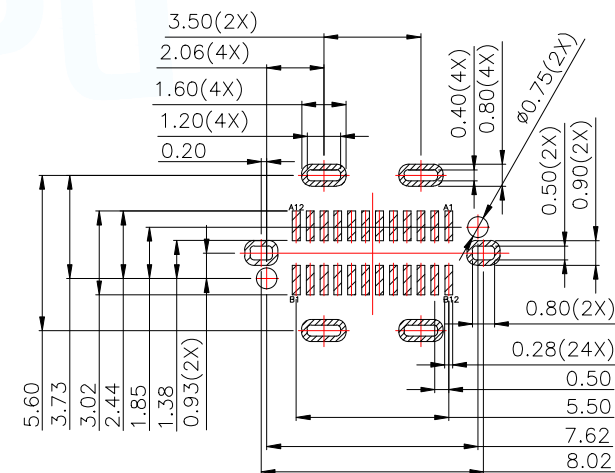
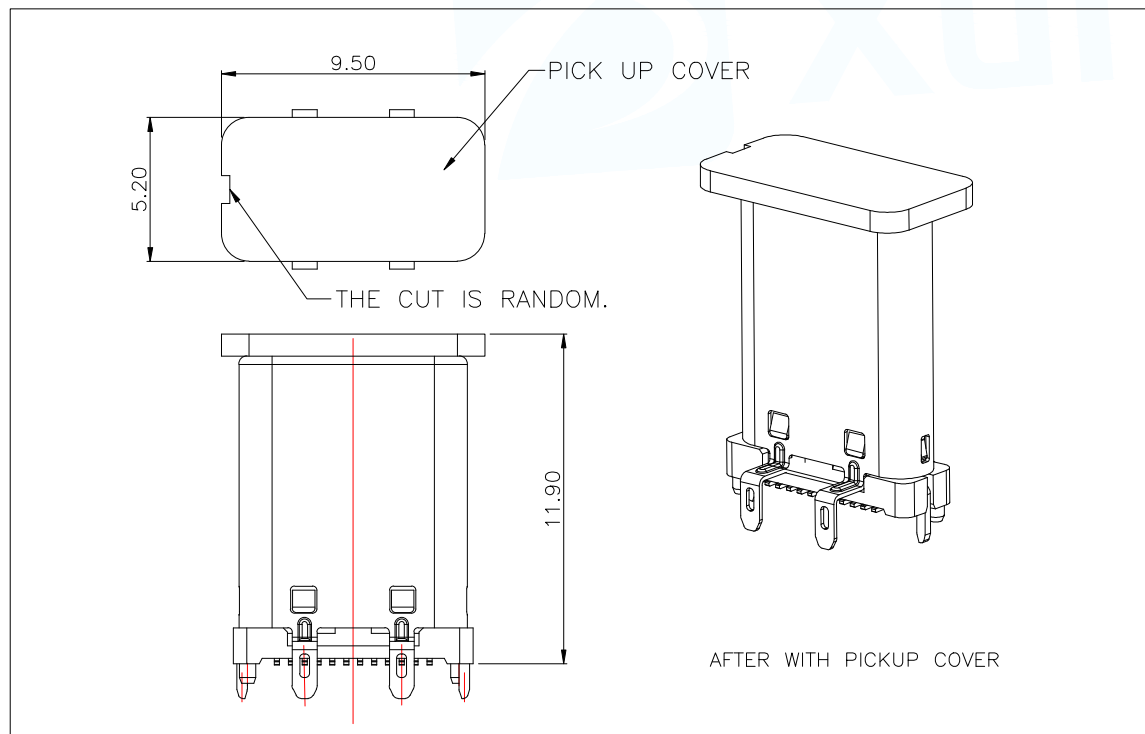
SECTION:A-A



SECTION:B-B

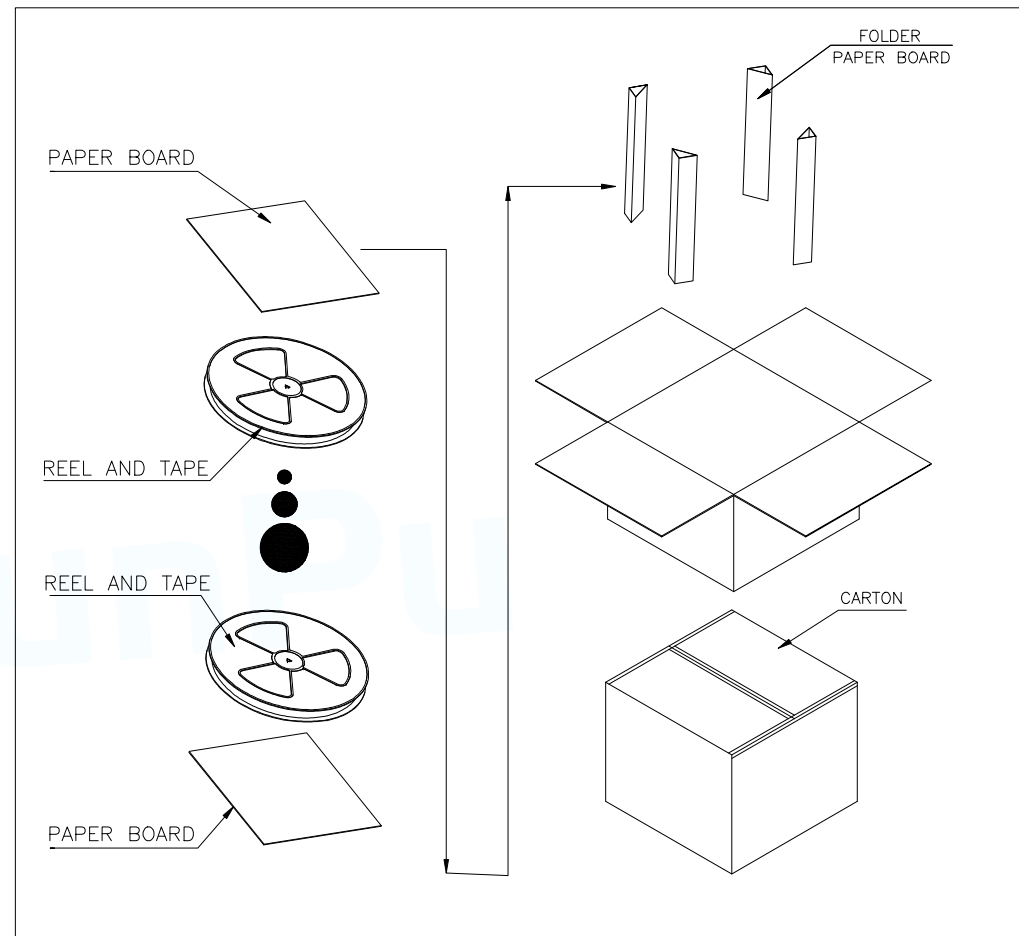
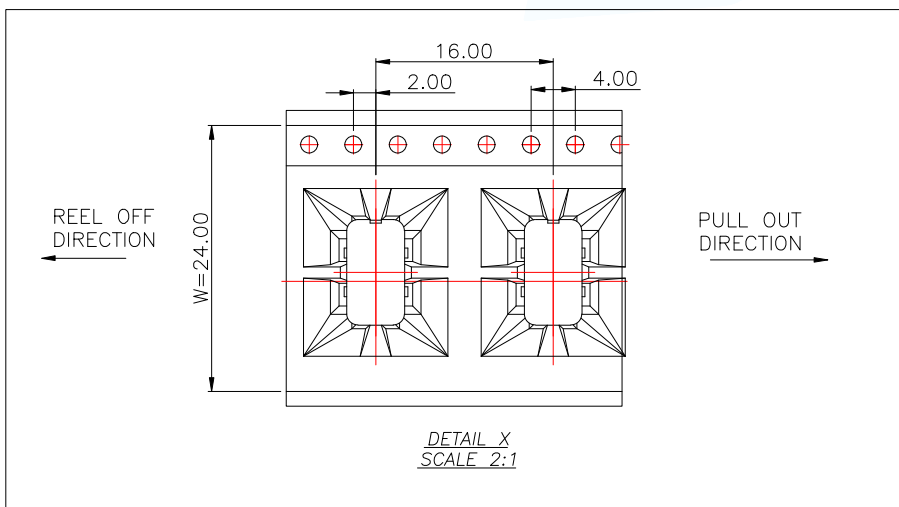
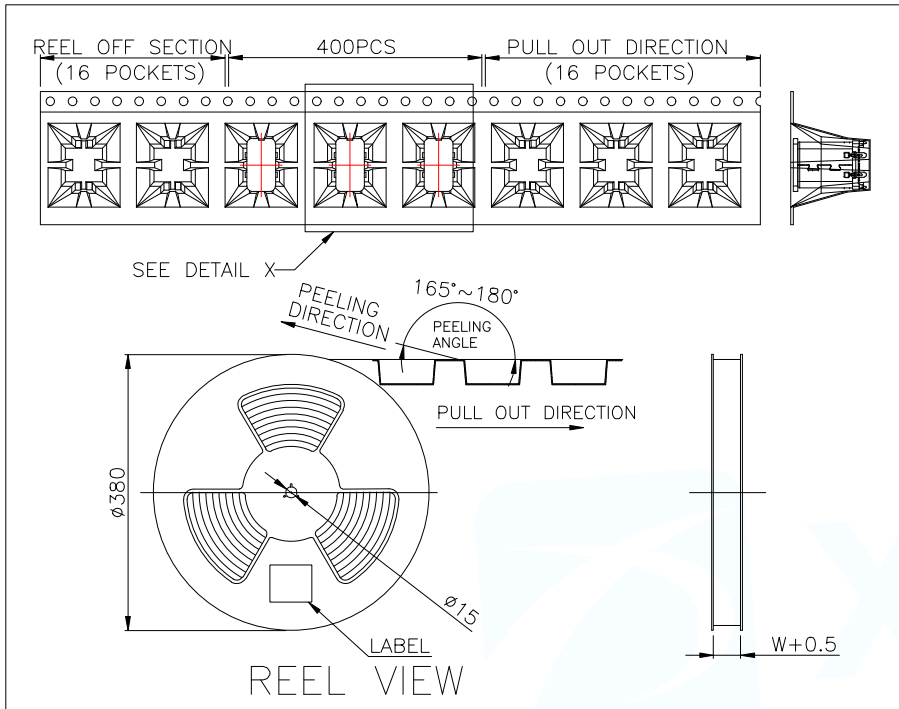
USB TYPE-C PIN ASSIGNMENTS

| PIN NUMBER | SIGNAL NAME | PIN NUMBER | SIGNAL NAME |
|------------|-------------|------------|-------------|
| A1 | GND | B12 | GND |
| A2 | SSTXp1 | B11 | SSRXp1 |
| A3 | SSTXn1 | B10 | SSRXn1 |
| A4 | Vbus | B9 | Vbus |
| A5 | CC1 | B8 | SBU2 |
| A6 | Dp1 | B7 | Dn2 |
| A7 | Dn1 | B6 | Dp2 |
| A8 | SBU1 | B5 | CC2 |
| A9 | Vbus | B4 | Vbus |
| A10 | SSRXn2 | B3 | SSTXn2 |
| A11 | SSRXp2 | B2 | SSTXp2 |
| A12 | GND | B1 | GND |



RECOMMENDED PCB LAYOUT(TOP VIEW)
THICKNESS 0.8±0.10MM;DEFAULT TOLERANCE:±0.05

| | | | | |
|---------------------------------------|----------|----------|---|-------|
| MANUFACTURE DWG | | | 东莞市讯普电子科技有限公司 DongGuan XunPu Electronics Co.,Ltd | |
| UNLESS OTHERWISE SPECIFIED TOLERANCES | | | TITLE: USB CM VERTICAL TYPE HIGHT=11.1 | |
| DECIMALS: | ANGLES: | PAR | TYPEC-953-ACP24 | |
| .X:±0.30 | X':±10° | DWN | | |
| .XX:±0.20 | .X':±8° | CHKD | | |
| .XXX:±0.10 | .XX':±5° | APVD | | |
| CUSTOMER COPY | | SCALE1:1 | UNIT:MM | |
| | | SIZE:A4 | SHEET:1F1 | REV:A |



| | | |
|-----------------|-----------|--------|
| | REEL/TRAY | CARTON |
| CONNECTOR (PCS) | 400 | 4000 |

| | | | | |
|---------------------------------------|----------|---|---|---|
| MANUFACTURE DWG | |  |  东莞市讯普电子科技有限公司 DongGuan XunPu Electronics Co.,Ltd | |
| UNLESS OTHERWISE SPECIFIED TOLERANCES | | | TITLE: USB CM VERTICAL TYPE HIGHT=11.1 | |
| DECIMALS: | ANGLES: | PAR | TYPEC-953-ACP24 | |
| .X:±0.30 | X':±10° | DWN | | |
| .XX:±0.20 | .X':±8° | CHKD | | |
| .XXX:±0.10 | .XX':±5° | APVD | | |
| CUSTOMER COPY | | SCALE1:1 | UNIT:MM |  |
| | | SIZE:A4 | SHEET:1F1 | REV:A |