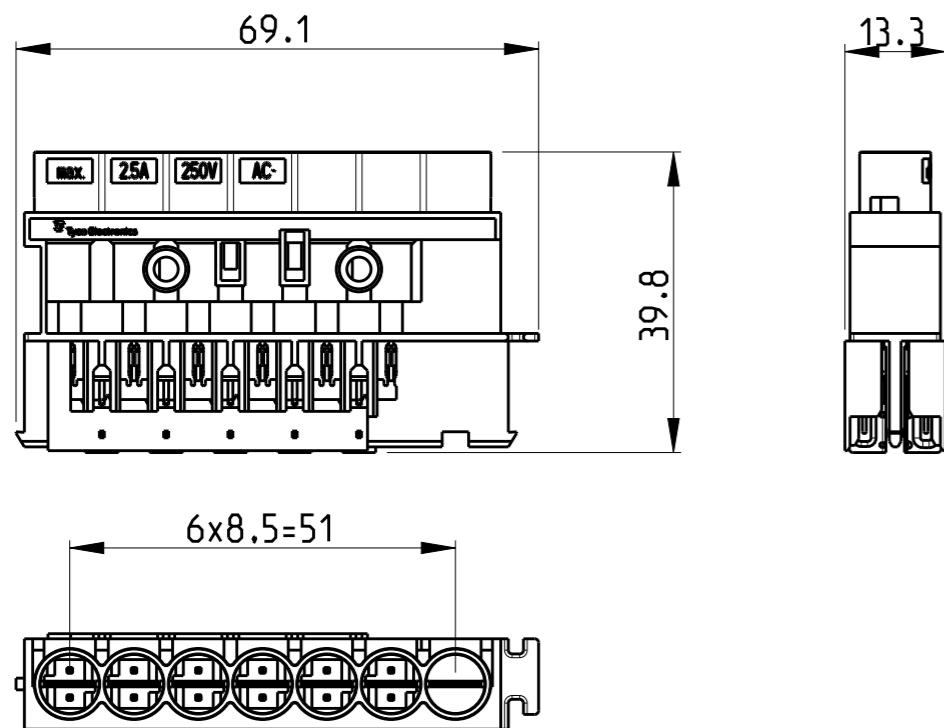
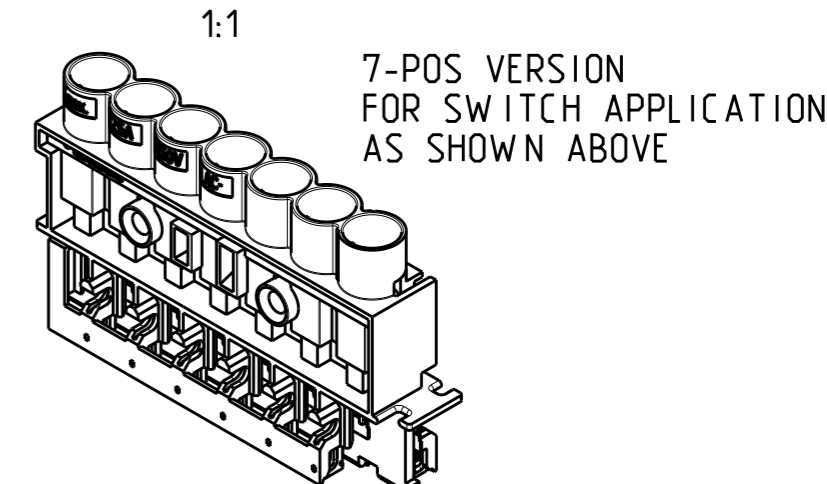
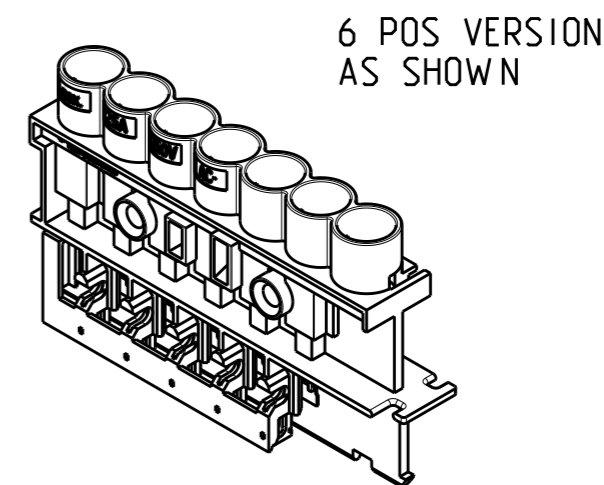


THIS DRAWING IS UNPUBLISHED. RELEASED FOR PUBLICATION 2006

© COPYRIGHT 2006 Tyco Electronics AMP GmbH ALL RIGHTS RESERVED.

LOC	DIST	REVISIONS					
		P	LTR	DESCRIPTION	DATE	DWN	APVD
A1	-		A1	REVISED TE LOGO	22AUG2012	MZ	JC
			C	REVISED PER ECR-17-003481	10MAY2017	SK	PO

5 4	0-293651-4	A	WHITE	DISTRIBUTOR 7 POS. 7A/125V DC		LV-2 (6x) HV-2 (1X)
5 4	0-293651-3	A	WHITE	DISTRIBUTOR 6 POS. 7A/125V DC		LV-2 (6x)
5 4	0-293651-2	A	WHITE	DISTRIBUTOR 7 POS. 6A/125V AC		HV-3 (6x) HV-2 (1X)
5 4	0-293651-1	A	WHITE	DISTRIBUTOR 6 POS. 6A/125V AC		HV-3 (6x)
NOTE	ASS'Y PN	Rev.	COLOR	REMARKS	CODING	



NOTES:

- PARTS PRELOADED WITH CONTACTS
- MATERIAL HOUSING: PA6/WEIGHT ~11 g
MATERIAL CONTACTS: CuNiSi/WEIGHT ~2.8 g

3. FOR 7 POS. VERSION ADD CODING RING PN 1740316-1

- 4 VERSION FOR US MARKET
- 5 NOT YET RELEASED FOR PRODUCTION

THIS DRAWING IS A CONTROLLED DOCUMENT.		DWN SKA 13APR2006	 TE Connectivity	NAME 7.5mm MiniHVL CONNECTOR SYSTEM CONTACT AND HOUSING ASSEMBLY 6 AND 7 POSITION
DIMENSIONS: mm		CHK WH 13APR2006		
TOLERANCES UNLESS OTHERWISE SPECIFIED:		APVD TG 13APR2006		
		PRODUCT SPEC 108-94019	SIZE A3	CAGE CODE 00779
MATERIAL -		APPLICATION SPEC 114-18752	DRAWING NO C-293651	RESTRICTED TO -
FINISH -		WEIGHT ~13.8 g	SCALE 1:1	SHEET 1 OF 1
CUSTOMER DRAWING			REV C	

Mouser Electronics

Authorized Distributor

Click to View Pricing, Inventory, Delivery & Lifecycle Information:

[TE Connectivity:](#)

[293651-3](#)