

## Model:3TA17-100

### Characteristics:

full sealed, epoxy encapsulated, high dielectric strength,  
three phase current combination detection, adopting  
nanocrystalline core.

### Technical index:

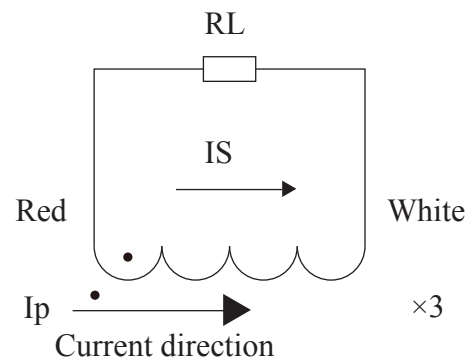
Mounting type: Suspend  
Material of the core: Nanocrystalline  
Flame resistance: UL94-V0  
Execution standard: GB1208-2006  
Operating temperature:  $-35^{\circ}\text{C} \sim +85^{\circ}\text{C}$   
Storage temperature:  $-45^{\circ}\text{C} \sim +95^{\circ}\text{C}$   
Frequency range: 20Hz-20KHz  
Dielectric strength: 3.5KV 50Hz 1min



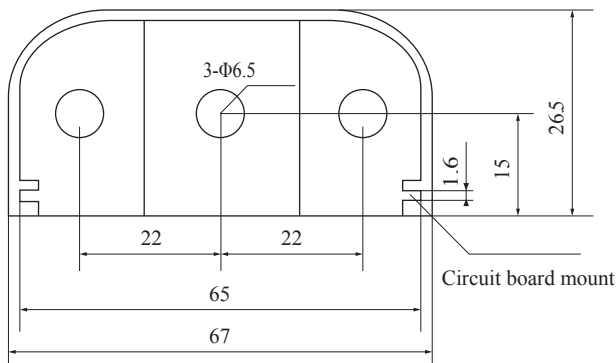
### Electrical parameters:

Rated input	0-10	A
Max.input		A
Rated output	0-10	mA
Turns ratio	1: 1000	
Accuracy	$\pm 1$	%
Linearity	$\leq 0.2$	%
Phase difference	$\leq 25'$	
Max.sampling resistance	150	$\Omega$
Weight	49	g

### Schematic diagram:

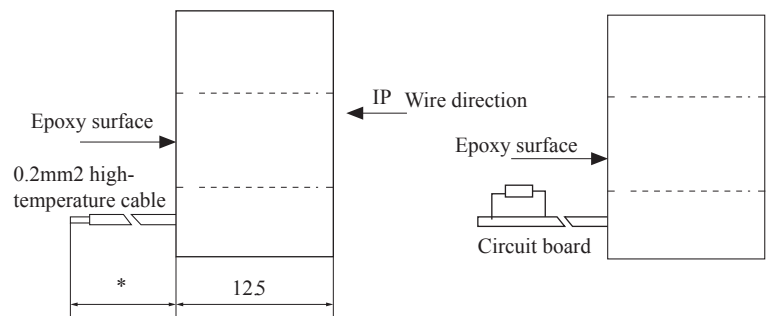


### Dimensions (in mm) :



Back View

(Epoxy encapsulation view)



Side view

(3TA17LCable type)

Side view

(3TA17B Circuit board embedded type)