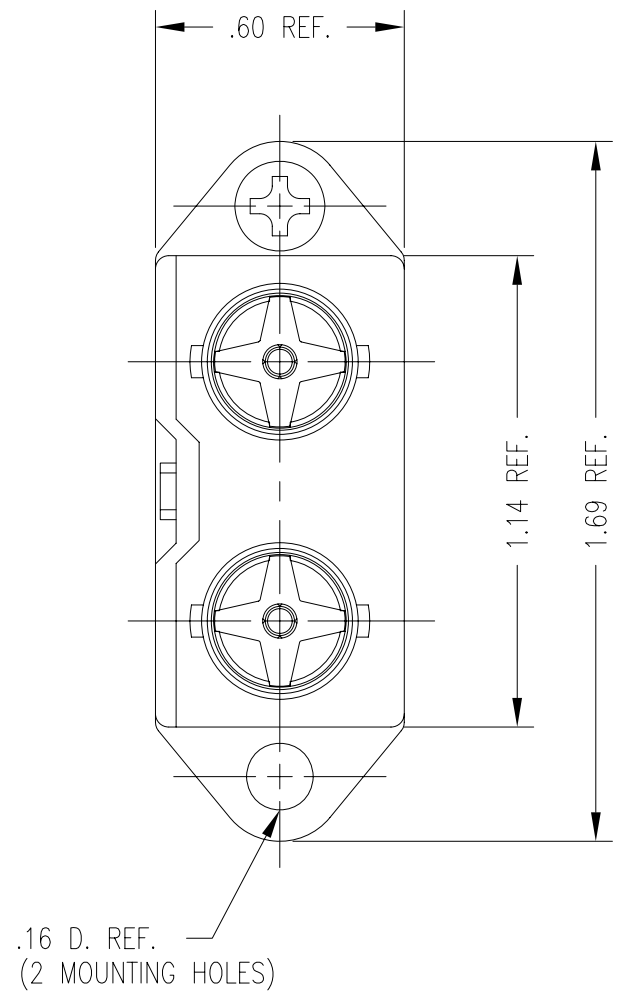
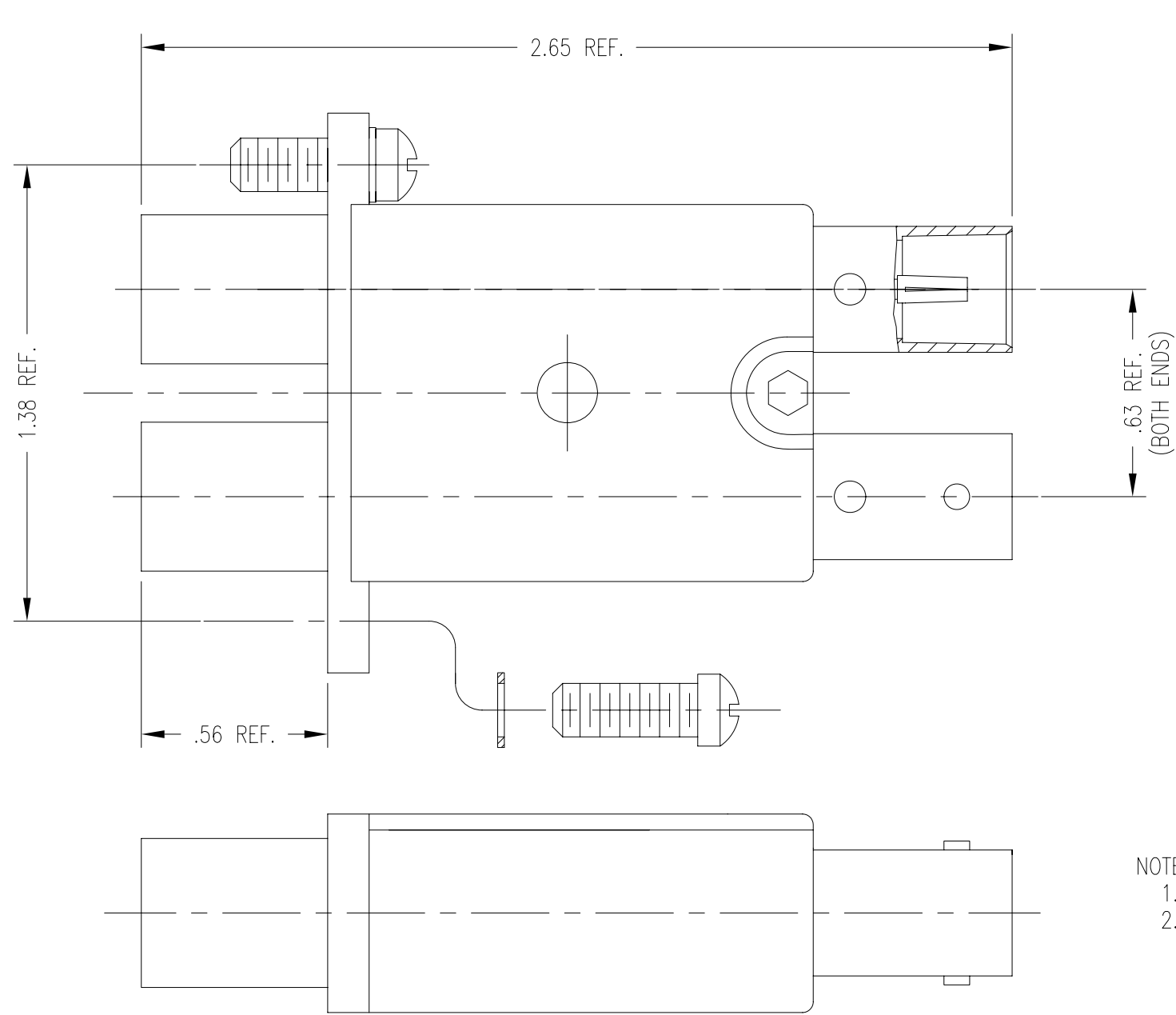


| ISSUE | CHANGES |
|-------|--------------------------|
| L | ER 6174 BAM 01/17/08 |
| M | ER 14290 PSM 03/16/09 |

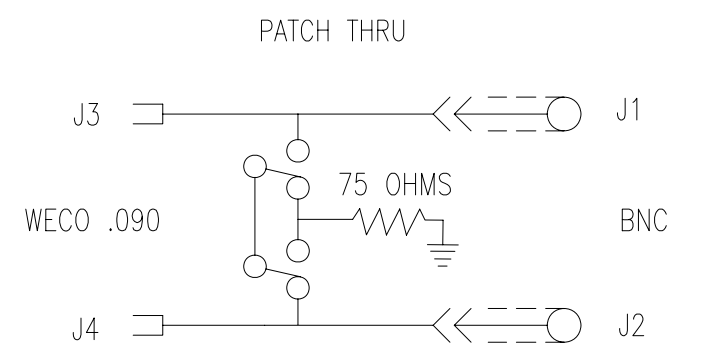
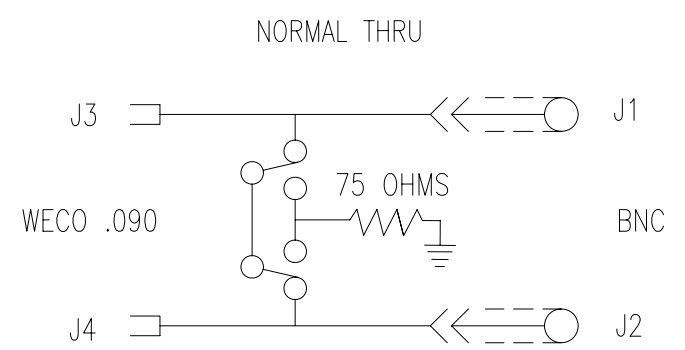
SD7780-2



- NOTES:
- INTERFACE PER MIL-STD-348, FIG. 301-2 (AS APPLICABLE).
 - MATERIALS:
 - BODY: ZINC (ZAMACK)
 - CONTACTS: BER. COPPER, ASTM-B-196
 - INSULATING MATERIALS: ZYTEL, DELRIN & TEFLON, ASTM-D-4894
 - HARDWARE: ZINC PLATED MACHINE SCREW
 - ALL OTHER METAL PARTS: BRASS, ASTM-B16
 - FINISHES:
 - CAP & CONTACTS: HARD GOLD PLATE PER MIL-G-45204 OVER NICKEL PLATE PER QQ-N-290.
 - HARDWARE: PASSIVATE PER QQ-P-35
 - ALL OTHER METAL PARTS: NICKEL PER QQ-N-290
 - MECHANICAL CHARACTERISTICS: 50,000 LIFE CYCLES MIN.
 - ELECTRICAL CHARACTERISTICS:
 - IMPEDANCE: 75 OHMS
 - FREQUENCY RANGE: DC TO 3.5 GHz.
 - RETURN LOSS (NORMAL THRU MODE):
 - UP TO 1.5 GHz, <-23 dB.
 - UP TO 3.5 GHz, <-10 dB.
 - COMPLIANT TO SMPTE 424M (3G-SDI) SPECIFICATION.

CUSTOMER SALES DRAWING

| | |
|--|--|
| SCALE 2:1 | |
| APPROX SURFACE AREA | |
| USED ON | |
| REF: | |
| HIGH DEFINITION, DUAL VIDEO JACK STD SIZE (TERMINATED) | |
| DRAWN JLA | DATE 10/25/02 |
| DESIGN JLA | DATE 10/25/02 |
| APPR. | DATE |
| KINGS by WINCHESTER ELECTRONICS | Winchester Electronics 62 Barnes Industrial Road North Wallingford, CT 06492 |
| B | SIZE |



TERMINATED (RESISTOR BETWEEN TERMINAL & GROUND)

UNLESS OTHERWISE SPECIFIED

- ALL DIMENSIONS IN INCHES [MILLIMETERS].
- TOLERANCES:

| | |
|-------------|------------|
| .XXX ±.004 | .XX ±.010 |
| [.XXX ±.10] | [.XX ±.25] |

 FRACTIONS: X/Y ±.010 [.25] ANGLES: ± 1°

★ CRITICAL DIMENSIONS