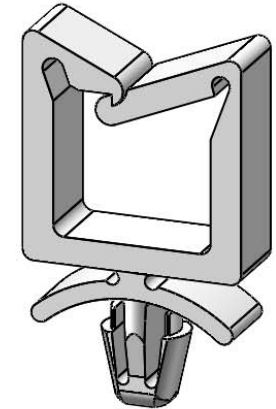
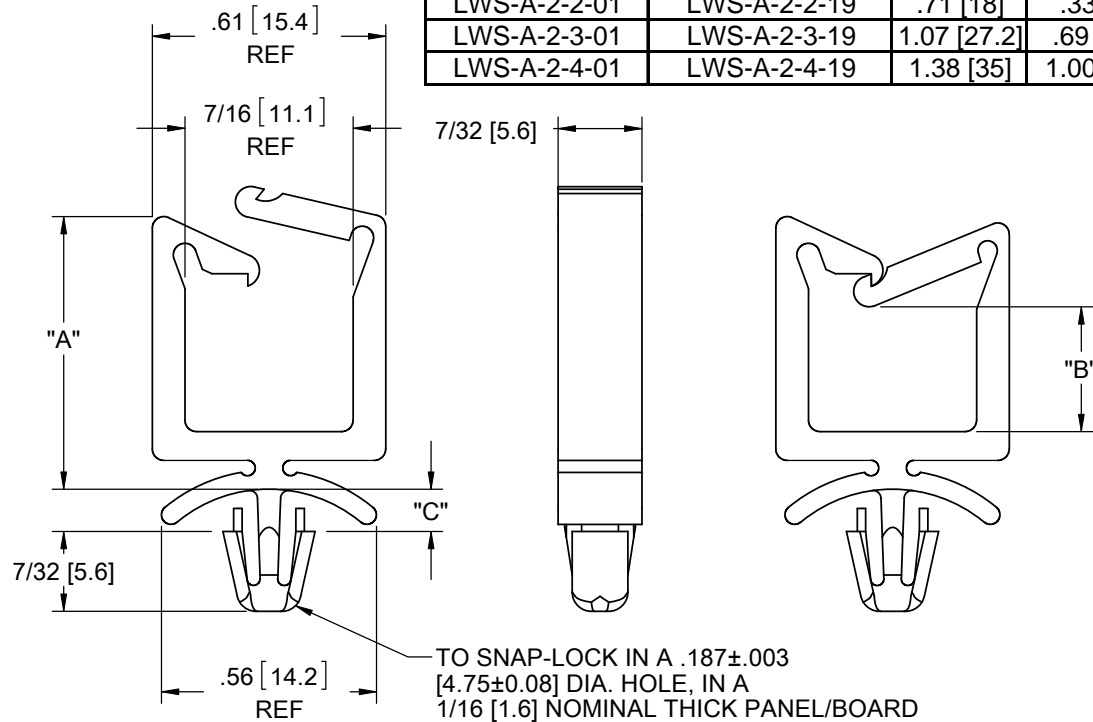


PART NO.		DIM. "A" REF	DIM. "B" REF	DIM. "C" REF	PANEL THICKNESS
NYLON 6/6 UL 94 V-2 (RMS-01)	NYLON 6/6 UL 94 V-0 (RMS-19)				
LWS-A-1-01	LWS-A-1-19	.52 [13.2]	.14 [3.6]	.11 [2.8]	1/16 [1.6]
LWS-A-2-01	LWS-A-2-19	.71 [18]	.33 [8.4]		
LWS-A-3-01	LWS-A-3-19	1.07 [27.2]	.69 [17.5]		
LWS-A-4-01	LWS-A-4-19	1.38 [35]	1.00 [25.4]	.15 [3.8]	1/8 [3.2]
LWS-A-2-1-01	LWS-A-2-1-19	.52 [13.2]	.14 [3.6]		
LWS-A-2-2-01	LWS-A-2-2-19	.71 [18]	.33 [8.4]		
LWS-A-2-3-01	LWS-A-2-3-19	1.07 [27.2]	.69 [17.5]		
LWS-A-2-4-01	LWS-A-2-4-19	1.38 [35]	1.00 [25.4]		



NOTES:

- COLOR: NATURAL.
- ALTERNATE UNITS FOR REFERENCE ONLY.

AS MOLDED POSITION

LOCKED POSITION

REV.	DESCRIPTION	ENGR.	DATE
E	SEECO 200341 FOR CHANGES	SK	03/17/09
D	REDRAWN, SEE ECN #1333 FOR CHANGES	SK	06/13/07
-	SEE ENGINEERING FOR REV A-C	-	----

TITLE: LOCKING WIRE SADDLE W/ ARROWHEAD				⊕	⊖	DWG IN IN [MM]	QR
CREATED USING SOLIDWORKS	FILE #: LWS-A	DWN: SK	APP: RT	FINAL			
TOLERANCES UNLESS NOTED XX=±.010 .XXX=±.005 FRAC.=±1/64 ANG.=±1°	SHEET: 1 OF 1	SHEET SIZE: A	DT: 06/13/07	CHKD: RG	PART #		PRINT TYPE
RE: RICHCO, INC.	RICHCO, INC. ENG@RICHCO-INC.COM (773) 539-4060		SEE TABLE		CA		