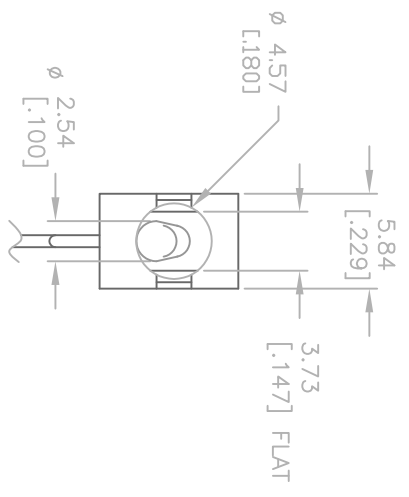


CIRCUIT: SPDT

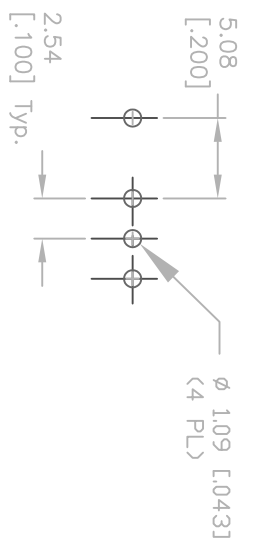
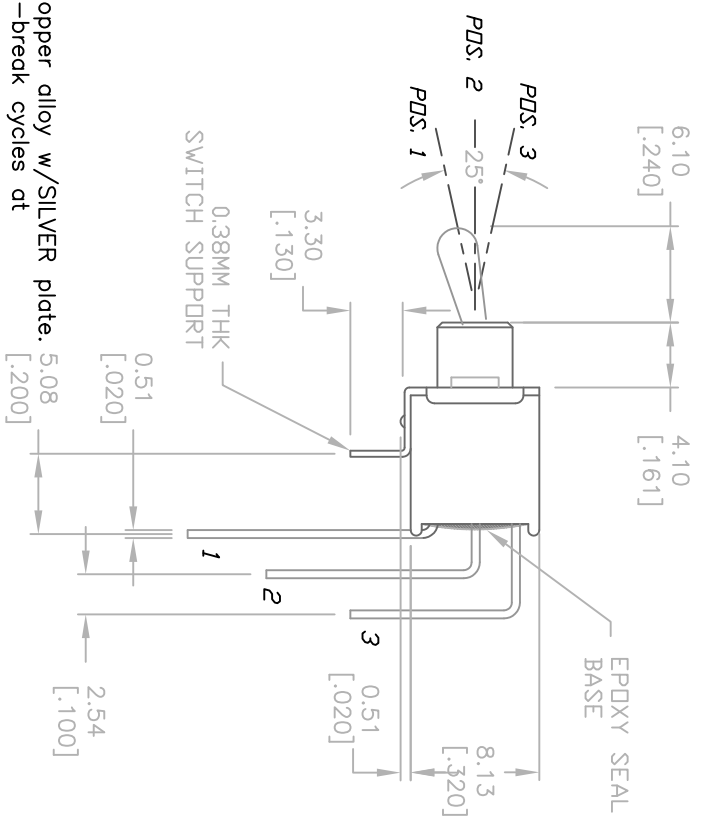
CONTACT CONFIGURATION

SWITCH FUNCTION			
POS. 1	POS. 2	POS. 3	
DN	NONE	<GN>	
2-3	OPEN	2-1	

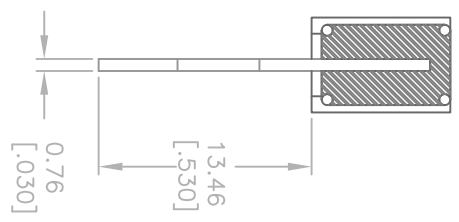
< > = Momentary



- NOTES:
1. ALL DIMENSIONS IN MM [INCH]
 2. GENERAL TOLERANCE: X.X=±0.4 X.XX=±0.25
 3. TERM. NOS. FOR REF. ONLY
 4. RATING: 3@120VAC or 28V DC; 1@250VAC.
 5. FIXED TERM. & MOVING CONTACT: Copper alloy w/SILVER plate.
 6. ELECTRICAL LIFE: 50,000 make-and-break cycles at full load.
 7. INSULATION RESISTANCE: 1000M ohm min.
 8. DIELECTRIC STRENGTH: 1000V RMS min. @sea level.
 9. OPERATING TEMP.: -30°C to 85°C



RECOMMENDED P.C.B. LAYOUT



C	21636	EDITED TITLE TO CORRECT NAME	10/15/14	AS
B	12164	REVISED AND REDRAWN	5/20/02	CJB
REV.	ECN No.	DESCRIPTION	DATE	CHKD

TITLE		SCALE		DATE	DR	DWG	REV
200A MSP-2 T2 A1 M7 Q E		2:1		5/20/02	CJB	T201216	C



THE INFORMATION CONTAINED IN THIS DOCUMENT IS PROPRIETARY TO E-SWITCH AND IS NOT TO BE COPIED, OR TRANSFERRED