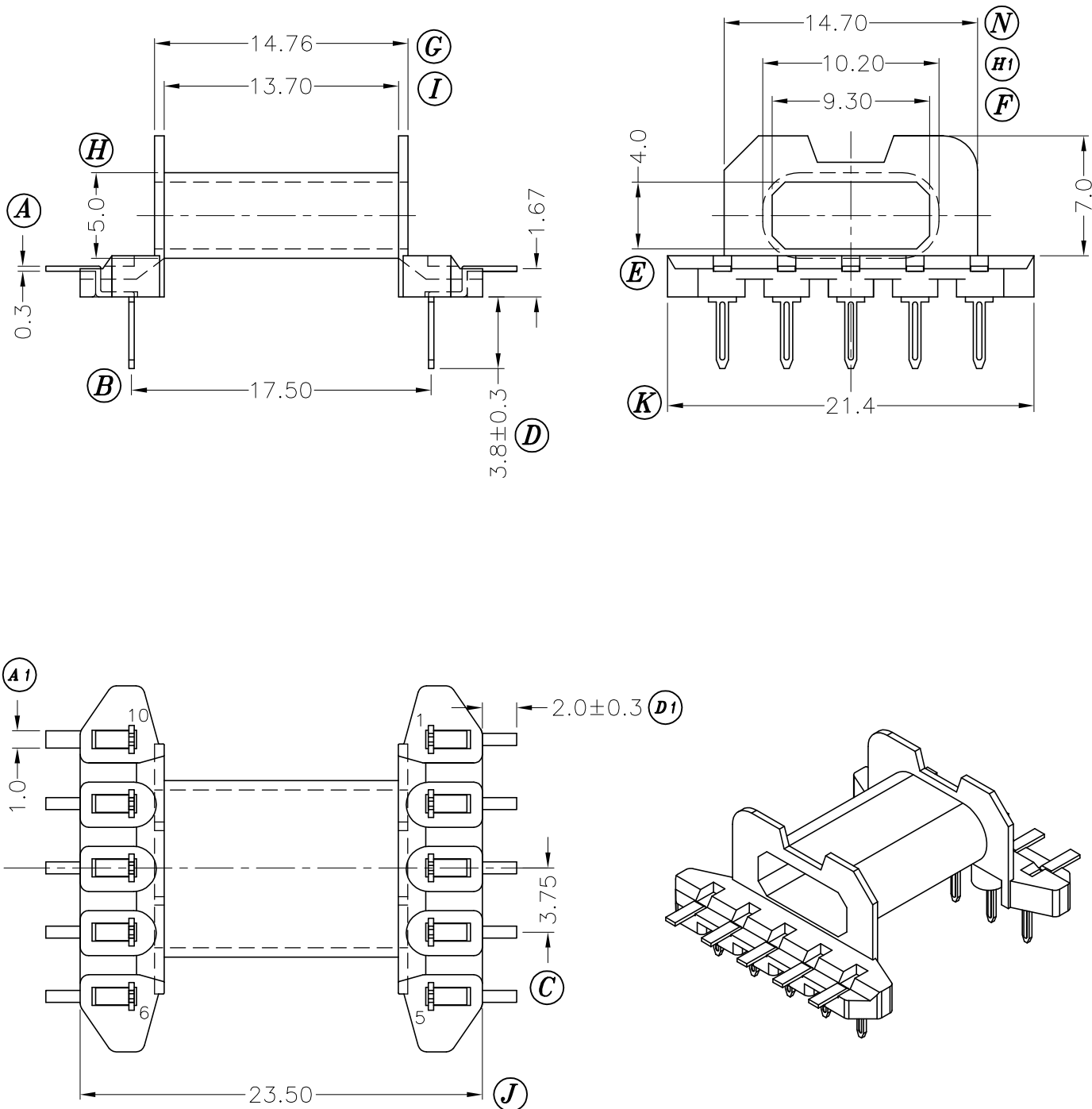


**FERYSTER Inductive Components**

ul. Traugutta 4 , 68-120 Iłowa Poland

http://www.feryster.com.pl e-mail: info@feryster.com.pl



<b>DOSTAWCA:</b>	TOLERANCES		ANGLE: $\pm 1^\circ$	TITLE: <b>EFD20-K-H-10P</b>		
	$0 < L \leq 4 \pm 0.1$ $4 < L \leq 16 \pm 0.2$ $16 < L \leq 63 \pm 0.3$	pin pitch $\pm 0.2$	UNIT: MM	BOBBIN MATERIAL: LCP E4008	UL REC. UL 94V-0	
<b>FERYSTER Inductive Components</b> Tel: +48 68 360 00 76 fax: +48 68 360 00 70			ORIGIN: DG	PIN MATERIAL: PHOSPHOR BRONZE	PIN TENSION LOAD: 1.5KG MIN.	
				DATE: APR.07 '2003	DRAWING NO. P-2023	REV. 1