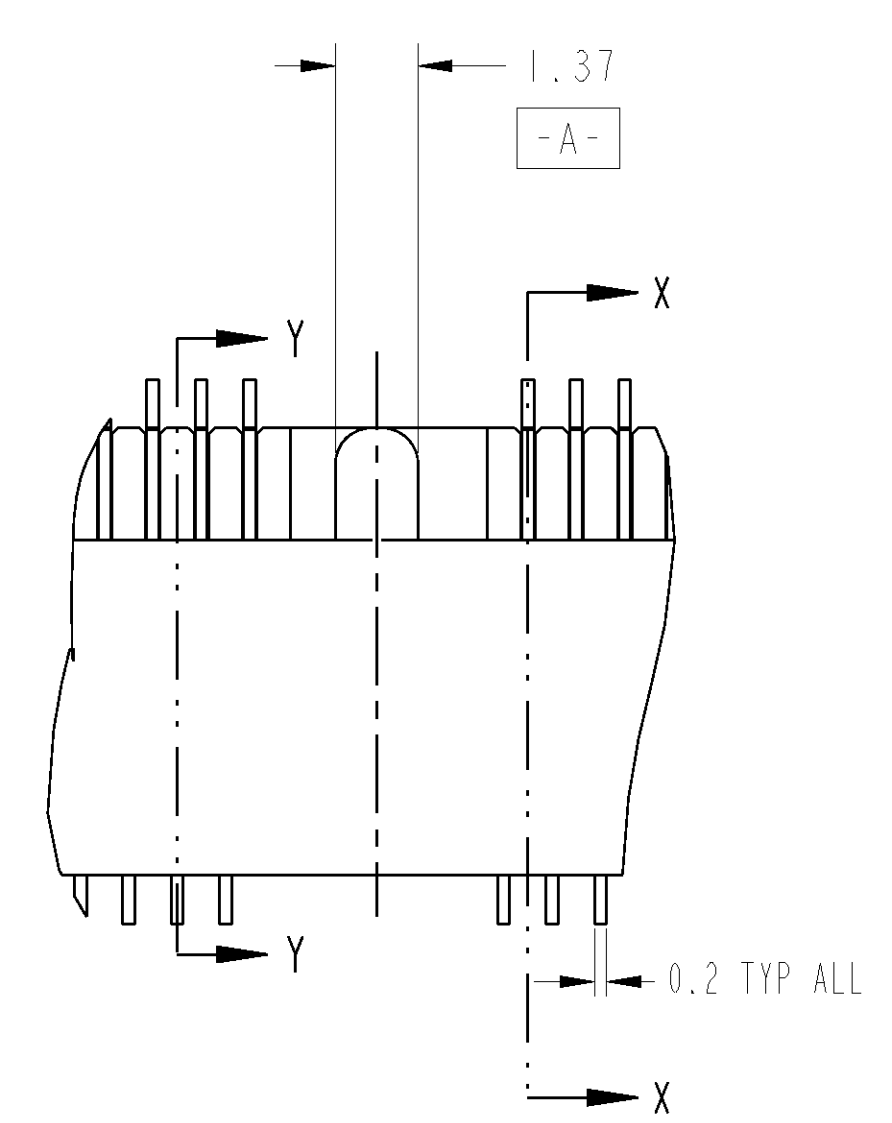
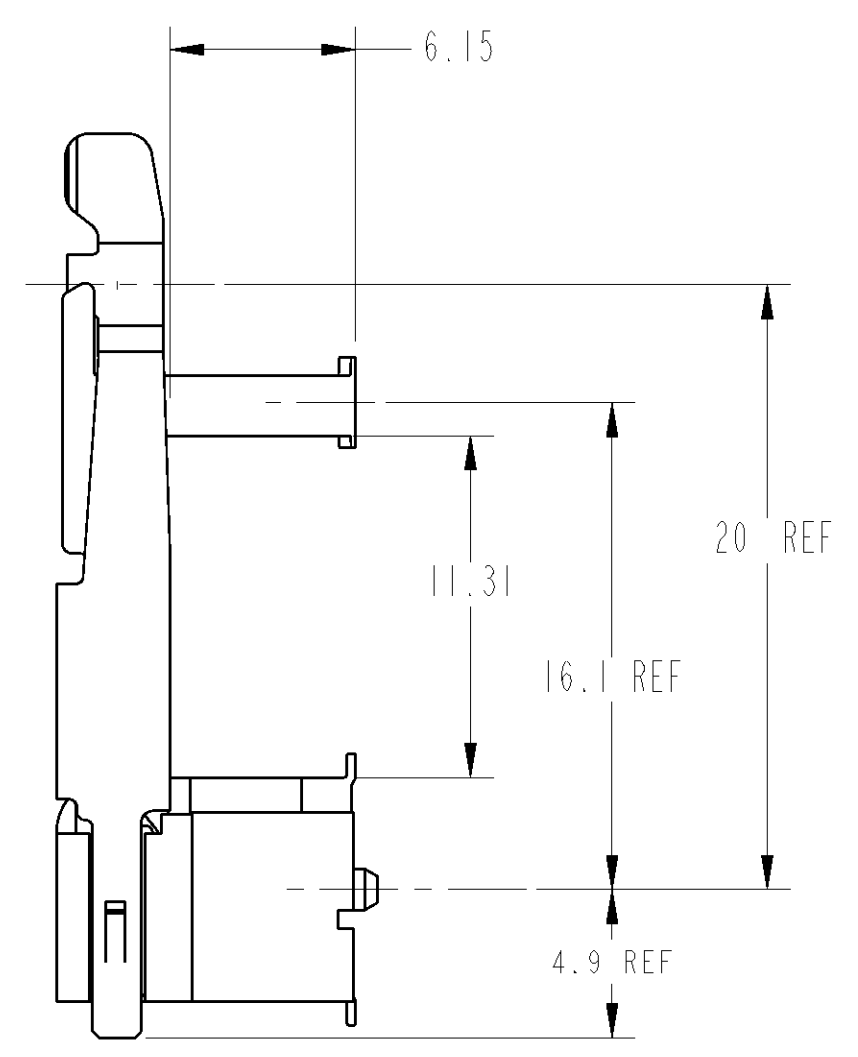
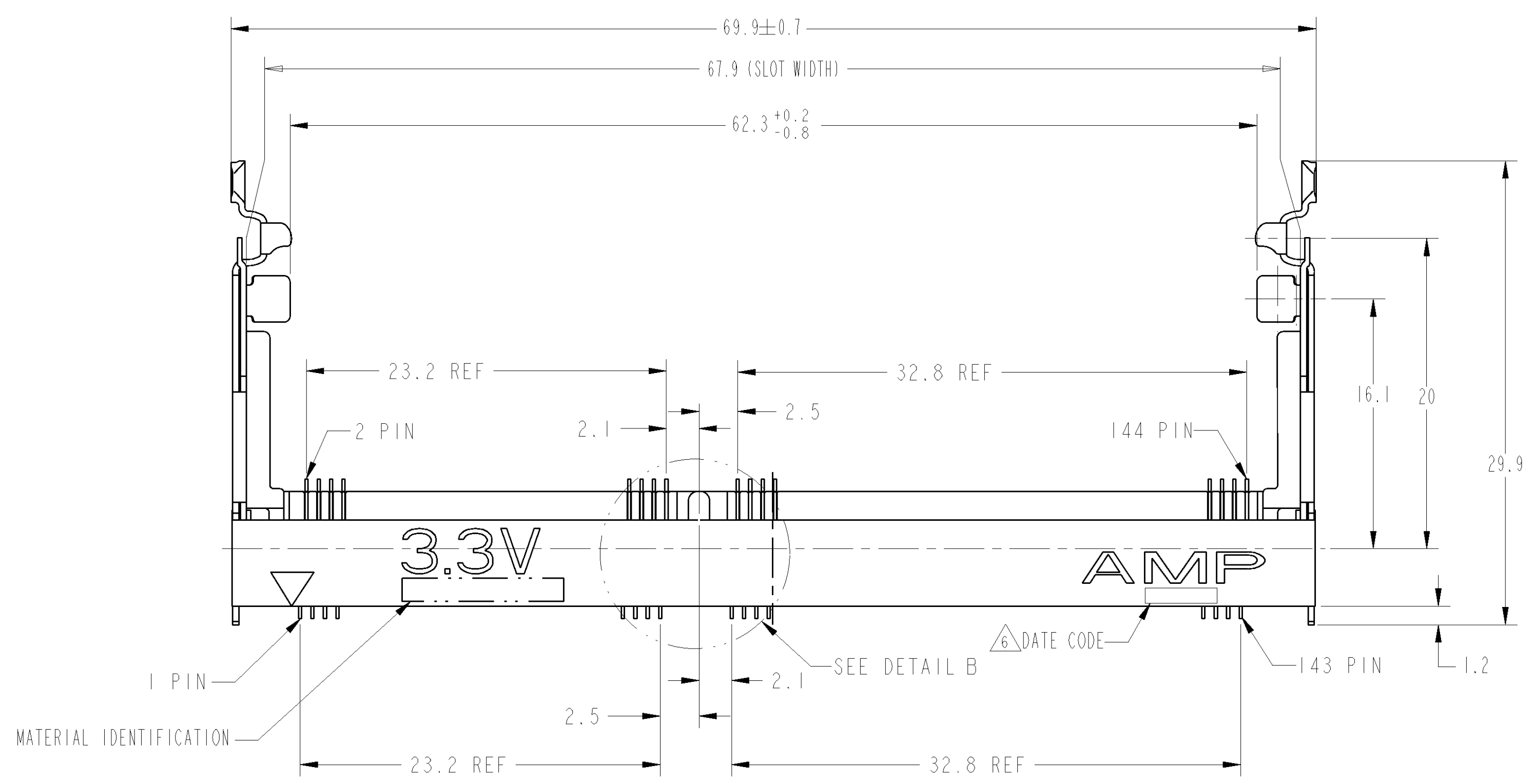
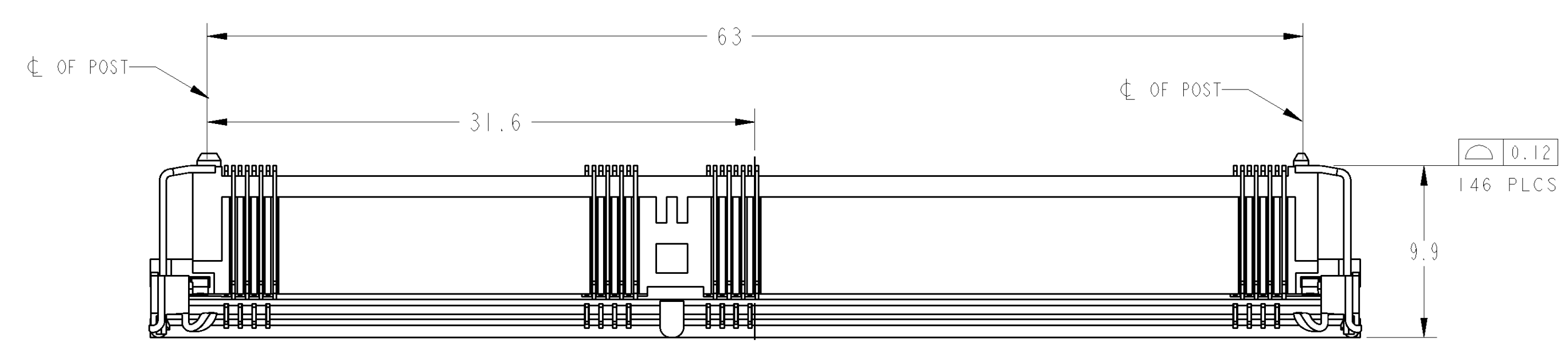
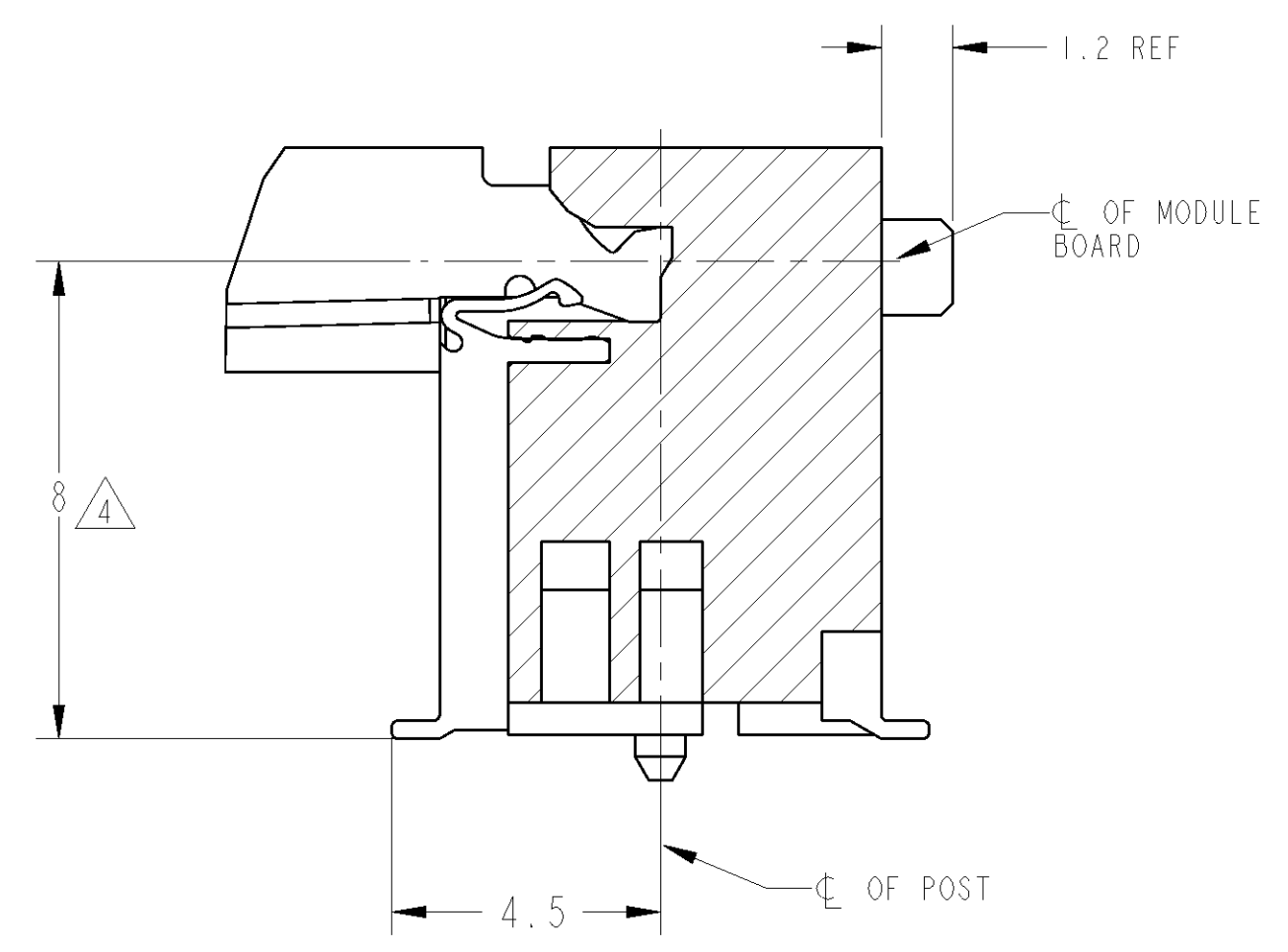


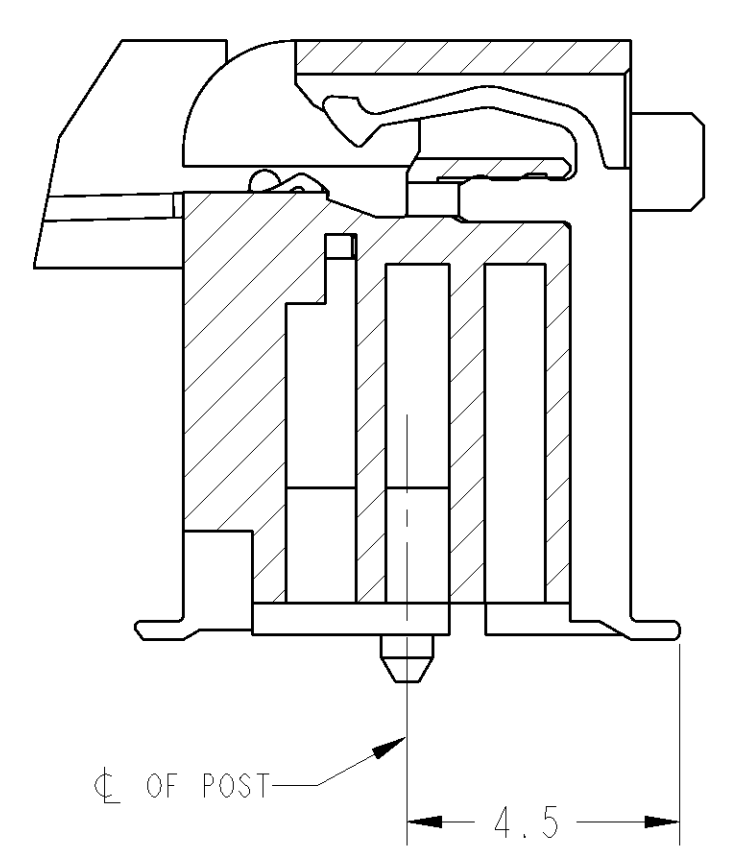
LOC	DIST	REVISONS			
F	LTR	DESCRIPTION	DATE	DMN	APFD
L1		REVISED PER ECO-11-005139	19MAR11	RK	HMR



DETAIL B  
SCALE 8:1



SECTION X-X  
SCALE 8:1  
90° ROTATE



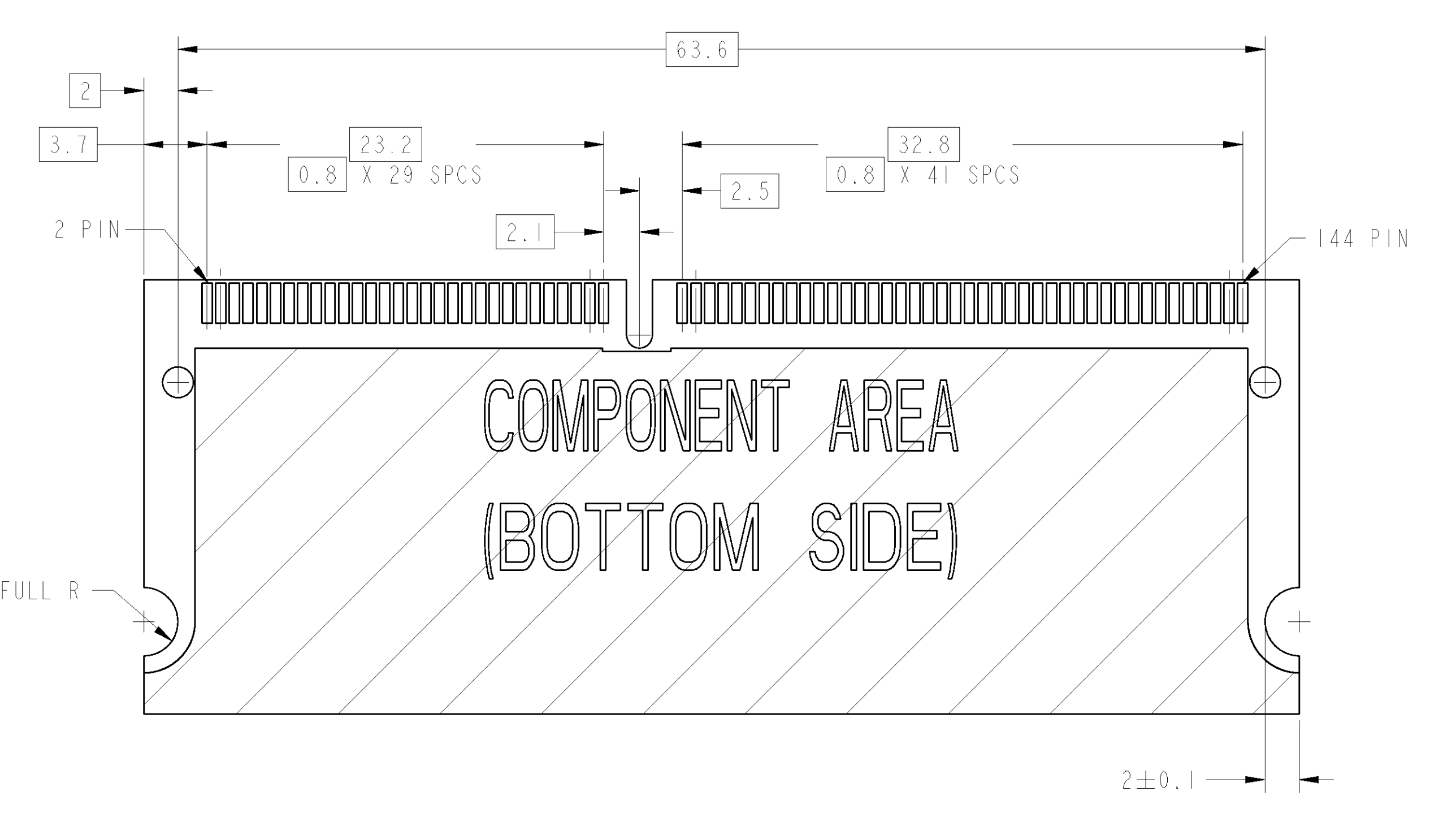
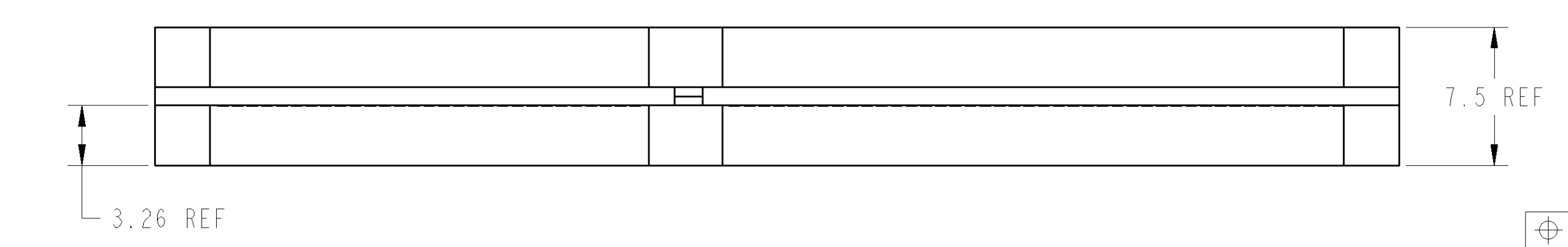
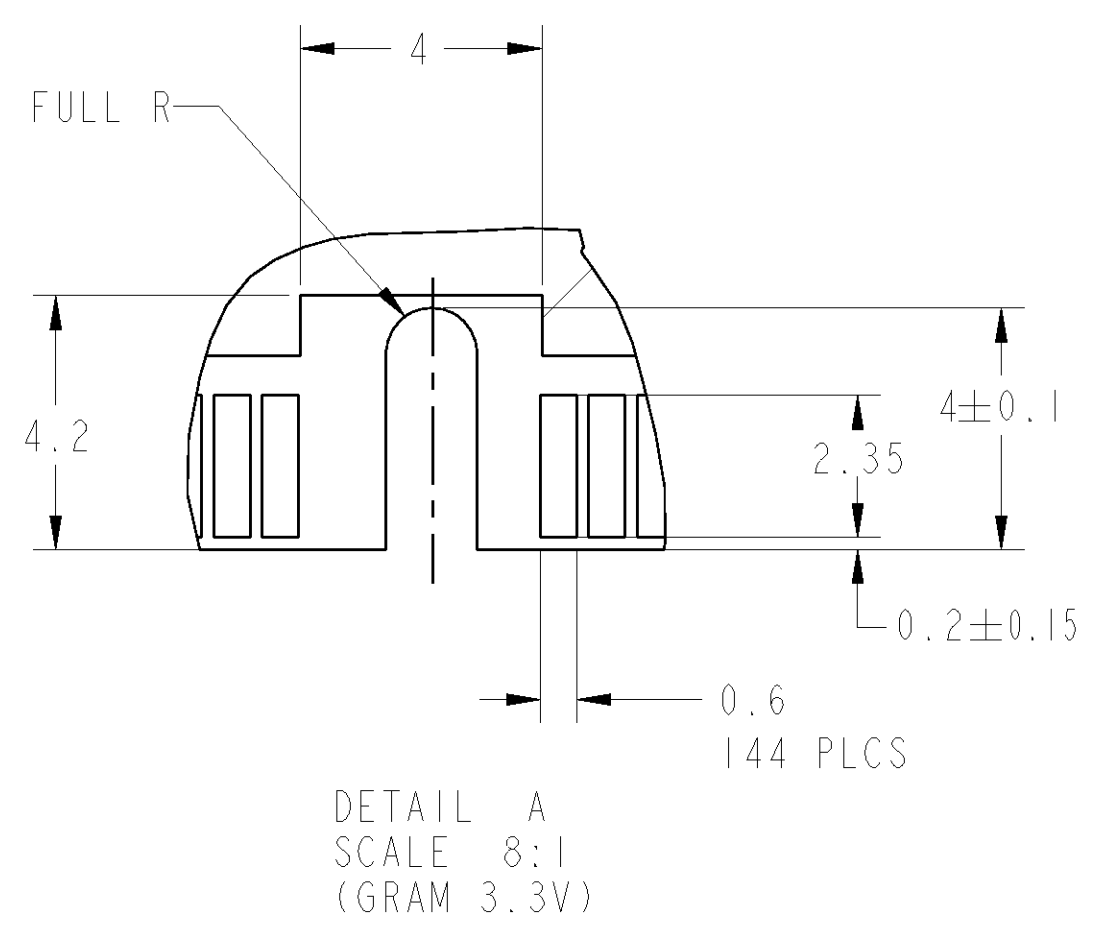
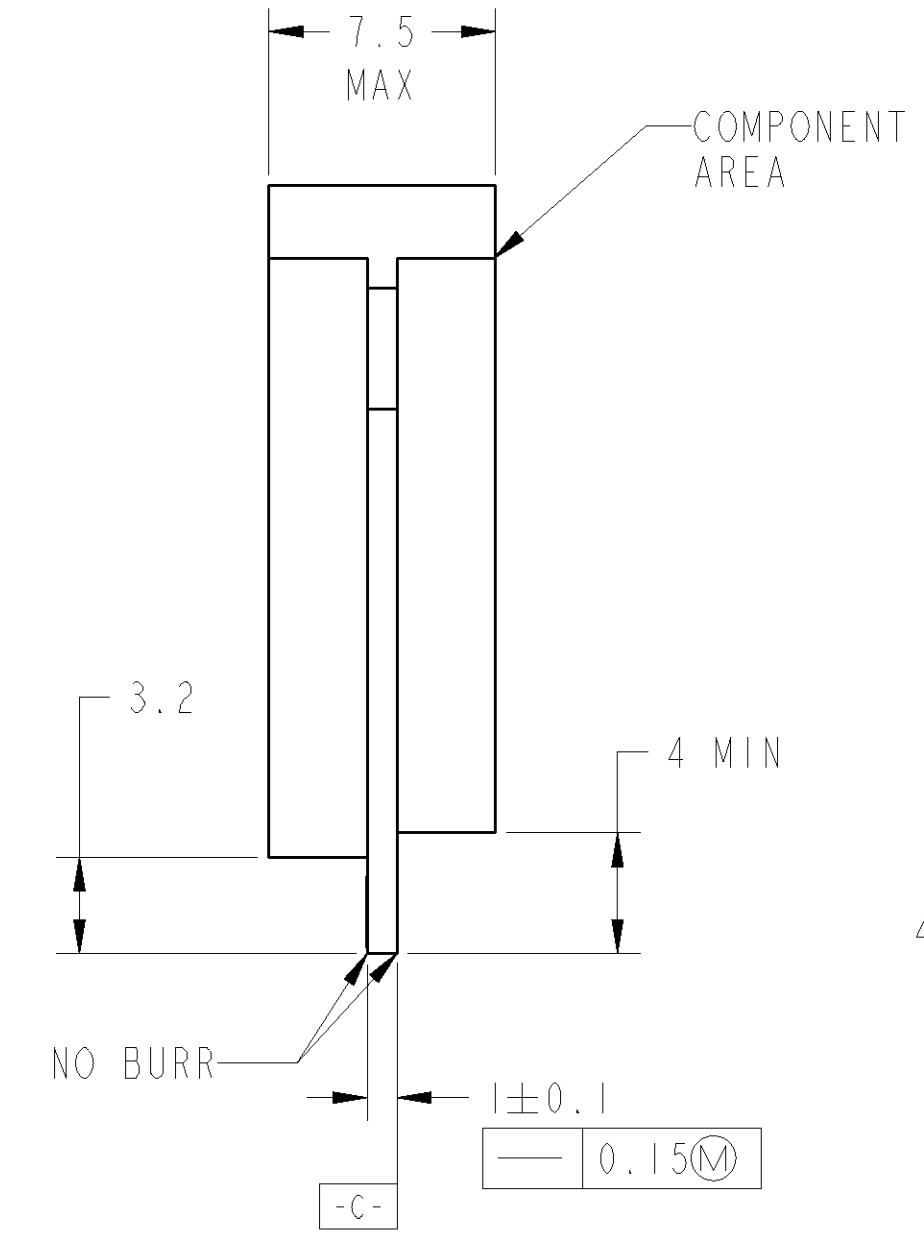
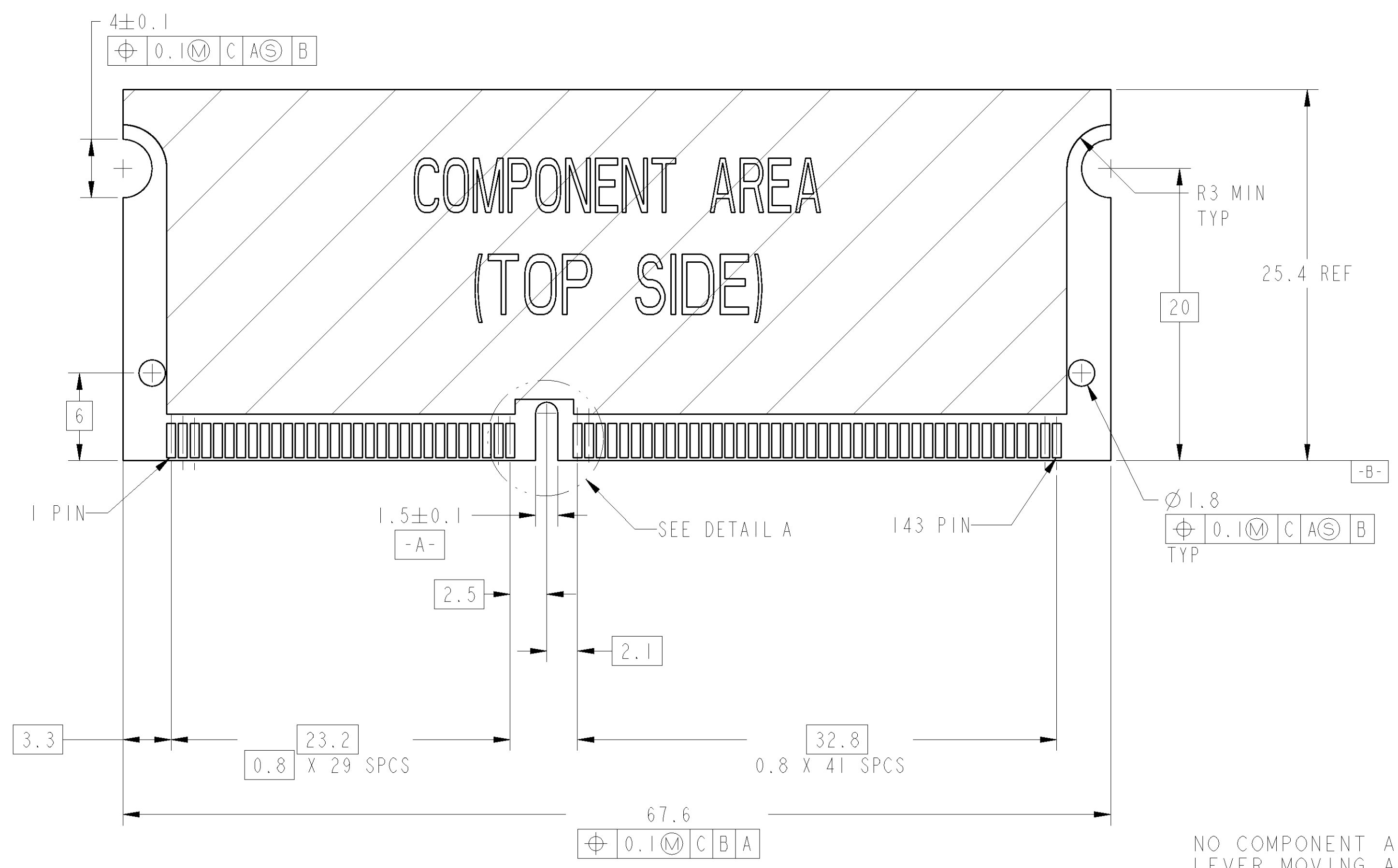
SECTION Y-Y  
SCALE 8:1  
90° ROTATE

- 1 MATERIAL, HOUSING, HIGH TEMP. PLASTIC, UL94V-0  
CONTACT: COPPER ALLOY  
LOCK LEVER: SUS301 TIN PLATING.
- 2 FINISH; CONTACT AREA: 0.00025 MIN GOLD PLT ON  
0.001 MIN ALL OVER NICKEL  
SOLDERING AREA: 0.00005 MIN TO 0.00030 MAX GOLD PLATE
- 3. TOLERANCES NON-ACCUMULATIVE.
- 4 DIMENSIONING TO MODULE CENTER LINE.
- 5 PART PACKAGING PER EIA-IS-704 STANDARD REEL  
DIAMETER SHALL BE 330mm. TAPE WIDTH SHALL  
BE 88mm AND TAPE PITCH SHALL BE 36mm
- 6 DATE CODE (4-DIGITS), LOCATED AS SHOWN.  
TO BE INTERPRETED AS FOLLOWS:  
DIGIT # 1 - LAST DIGIT OF YEAR.  
DIGITS # 2 AND # 3 - CALENDAR WEEK.  
DIGIT # 4 - DAY OF THE WEEK (WITH SUNDAYS AS DAY 1).

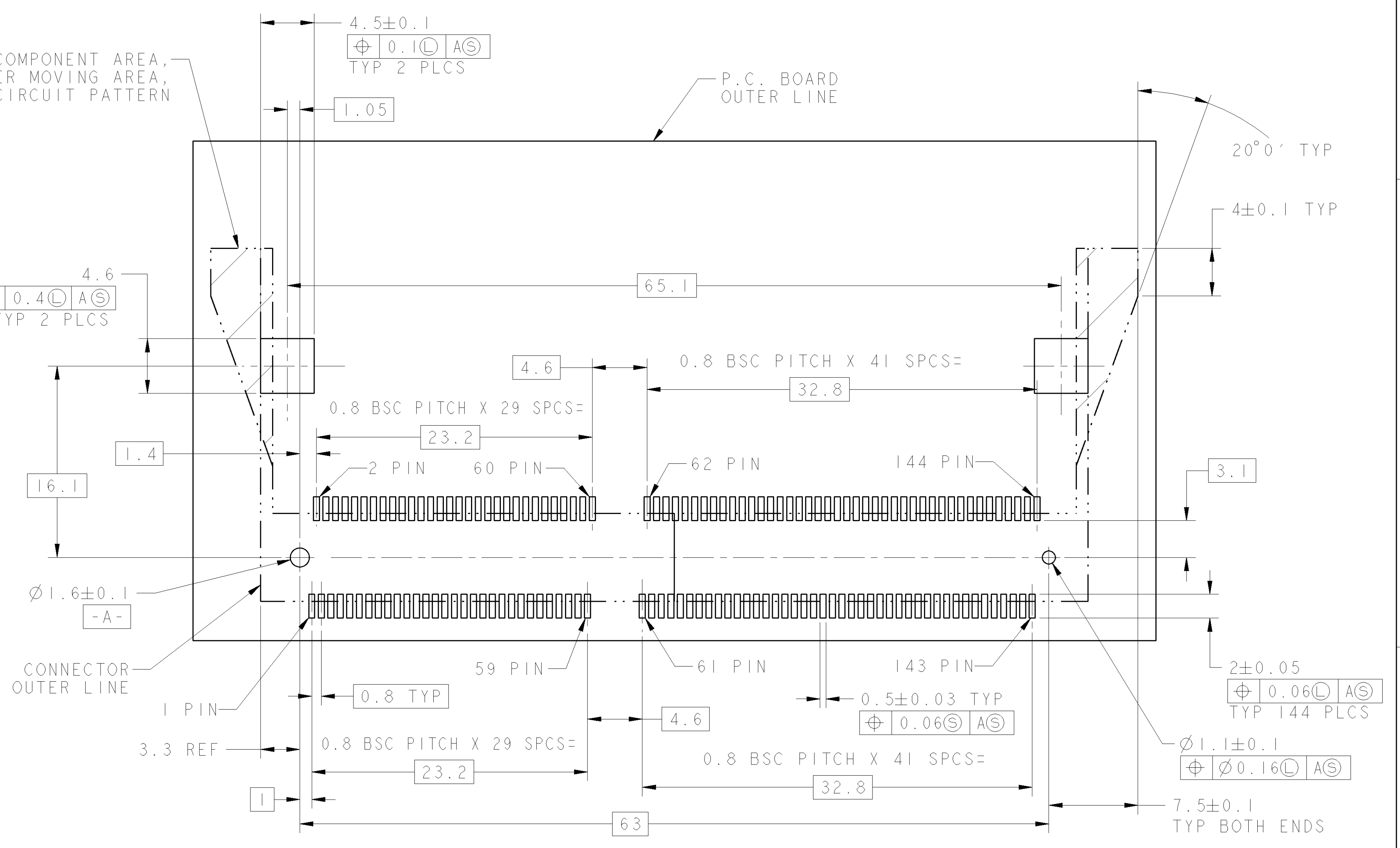
AVAILABLE	SDRAM 3.3V	144	6-390322-1	5
AVAILABLE	SDRAM 3.3V	144	390322-1	
REMARKS	POWER SUPPLY	POS	PART NUMBER	

DIMENSIONS:		TOLERANCES UNLESS OTHERWISE SPECIFIED:		DRAWN: J. BURWELL 8NOV99		CHK: K. KREIDLER 22JUL99		NAME: S. O. DIMM SOCKET ASSY., 0.8mm PITCH	
mm	0 PLC ±	1 PLC ±0.2	2 PLC ±0.2	3 PLC ±0.2	4 PLC ±	APD: SE LEONG	PRODUCT SPEC	108-1739-1	144 POS., 8mm PROFILE
	ANGLES	FINISH		WEIGHT	CAGE CODE	DRAWING NO	FOR SDRAM TYPE MODULE		
					A1 00779	C=390322			
MATERIAL		FINISH		CUSTOMER DRAWING		SCALE 4:1		SHEET 1 OF 2 REV L1	

LOC	DIST	REVISIONS			
F	LTR	DESCRIPTION	DATE	OWN	APPR
-	-	SEE SHEET 1	-	-	-



NO COMPONENT AREA, LEVER MOVING AREA, ACCEPT CIRCUIT PATTERN



DIMENSIONS:		TOLERANCES UNLESS OTHERWISE SPECIFIED:		DRAWN		DATE		REV	
mm	0 PLCS	±		J. BURWELL	01FEB01				
	1 PLCS	±0.2		K. KREIDLER	23JUL99				
	2 PLCS	±0.2		S. LEONG					
	3 PLCS	±0.2							
	4 PLCS	±							
	ANGLES	±							
MATERIAL	FINISH								

NAME	S.O.DIMM SOCKET ASSY., 0.8mm PITCH	SIZE	A1	CAGE CODE	00779	DRAWING NO.	C=390322
PRODUCT SPEC	144 POS., 8mm PROFILE	SCALE	4:1			SHEET	2 OF 2
APPLICATION SPEC	FOR SDRAM TYPE MODULE	REV	L1				