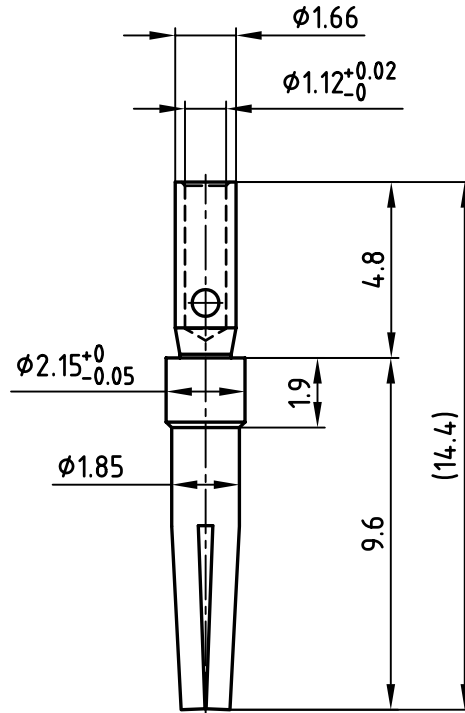


used for: D-SUB



APPROVAL # FREIGABE # DEBLOCAGE # AUTORIZACION # APPROVAL	
CUSTOMER APPROVAL DATE:	
NAME:	TITLE:
COMPANY NAME:	
APPROVAL # FREIGABE # DEBLOCAGE # AUTORIZACION # APPROVAL	



Notes:

- Material: brass
- Finish: hard-gold-plated in the contact area
- Temperature range: -55°C to +125°C
- Rated current: 7.5A
- Contact resistance: <= 10mOhm

THIS DRAWING MAY NOT BE COPIED OR REPRODUCED IN ANY WAY, AND MAY NOT BE PASSED ON TO A THIRD PARTY WITHOUT WRITTEN PERMISSION.
 OWNERSHIP AND COPYRIGHT OF CONEC GmbH
 DO NOT ALTER CAD DRAWING BY HAND

tolerance			 dim. in mm
2003	date	name	
	drawn	25.03.	Parei
	appd.	25.03.	Kühle
	norm		
	d-old		
rev.	description	date	name



scale:	5:1
material:	SEE NOTES
title:	CRIMP SOCKET CONTACT screw machined version accepts cable AWG 24-20
dwg no:	AutoCAD 2000
	DIN-A
	4
	sh: 1/1
part no:	162C18709X