

Low Phase Noise CMOS XO (96MHz to 190MHz)

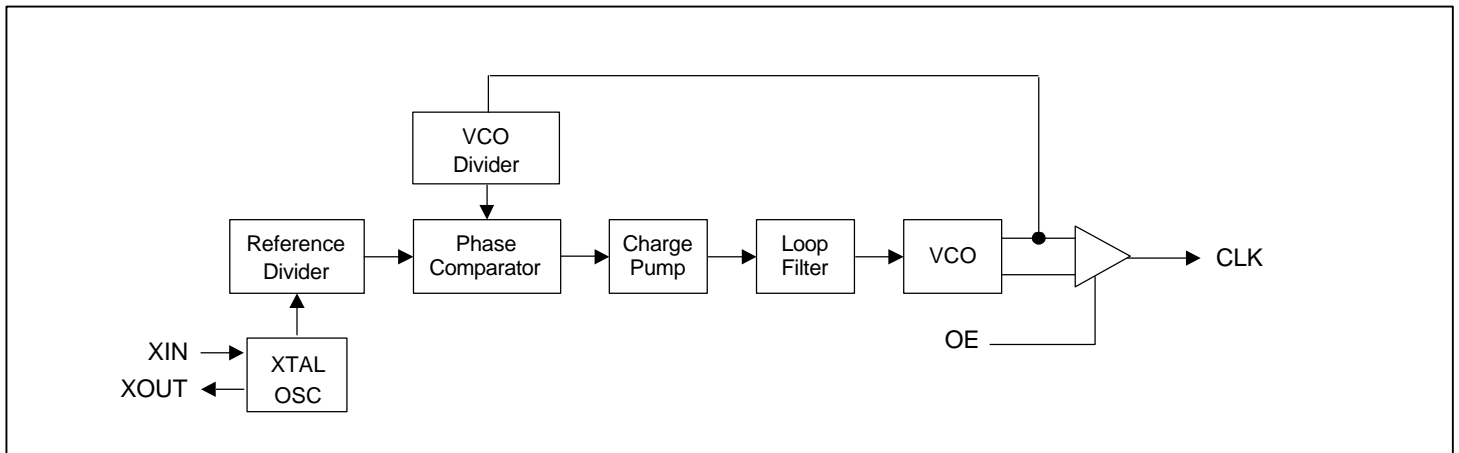
FEATURES

- Low phase noise XO for the 96MHz to 190MHz range (-133 dBc at 10kHz offset).
- CMOS output.
- 12 to 24MHz crystal input.
- Integrated crystal load capacitor: no external load capacitor required.
- Low jitter (RMS): 3-6ps period, 7-10ps accum.
- 3.3V operation.
- Available in 8-Pin TSSOP or SOIC.

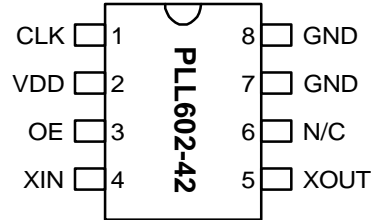
DESCRIPTIONS

The PLL602-42 is a low cost, high performance and low phase noise XO, providing less than -133 dBc at 10kHz offset in the 96MHz to 190MHz operating range. The very low jitter (3 to 6 ps RMS period jitter and 6 to 10 ps RMS accumulated jitter) makes this chip ideal for 155.52MHz SONET and SDH applications, and for 125MHz and 106.25MHz applications. Input crystal can range from 12 to 24MHz (fundamental resonant mode).

BLOCK DIAGRAM



PIN CONFIGURATION



OUTPUT RANGE

MULTIPLIERS	FREQUENCY RANGE	OUTPUT BUFFER
x8	96 - 190MHz	CMOS

Low Phase Noise CMOS XO (96MHz to 190MHz)
PIN DESCRIPTIONS

Name	Number	Type	Description
CLK	1	O	Output clock pin.
VDD	2	P	+3.3V VDD power supply pin.
OE	3	I	Output enable input pin. Disables (tri-state) output when low. Internal pull-up enables output by default if pin is not connected to low.
XIN	4	I	Crystal input pin.
XOUT	5	I	Crystal output pin.
N/C	6	-	Not connected.
GND	7, 8	P	Ground pin.

ELECTRICAL SPECIFICATIONS
1. Absolute Maximum Ratings

PARAMETERS	SYMBOL	MIN.	MAX.	UNITS
Supply Voltage Range	V _{CC}	-0.5	7	V
Input Voltage Range	V _I	-0.5	V _{CC} +0.5	V
Output Voltage Range	V _O	-0.5	V _{CC} +0.5	V
Soldering Temperature			260	°C
Storage Temperature	T _S	-65	150	°C
Ambient Operating Temperature		0	70	°C

Exposure of the device under conditions beyond the limits specified by Maximum Ratings for extended periods may cause permanent damage to the device and affect product reliability. These conditions represent a stress rating only, and functional operations of the device at these or any other conditions above the operational limits noted in this specification is not implied.

2. AC Specification

PARAMETERS	CONDITIONS	MIN.	TYP.	MAX.	UNITS
Input Frequency		12		24	MHz
Output Frequency		96		190	MHz
Output Rise Time	0.8V to 2.0V with no load			1.5	ns
Output Fall Time	2.0V to 0.8V with no load			1.5	ns
Duty Cycle	At VDD/2	45	50	55	%

Low Phase Noise CMOS XO (96MHz to 190MHz)

3. Jitter and Phase Noise specification

PARAMETERS	CONDITIONS	MIN.	TYP.	MAX.	UNITS
Period jitter RMS	With capacitive decoupling between VDD and GND. VIN = 3.3V		TBM		ps
Accumulated jitter RMS	With capacitive decoupling between VDD and GND. Over 10,000 cycles. VIN = 3.3V		TBM		ps
Phase Noise relative to carrier	100Hz offset, VIN = 3.3V		-100		dBc/Hz
Phase Noise relative to carrier	1kHz offset, VIN = 3.3V		-125		dBc/Hz
Phase Noise relative to carrier	10kHz offset, VIN = 3.3V		-133		dBc/Hz
Phase Noise relative to carrier	100kHz offset, VIN = 3.3V		-130		dBc/Hz

4. DC Specification

PARAMETERS	SYMBOL	CONDITIONS	MIN.	TYP.	MAX.	UNITS
Operating Voltage	VDD		3.135		3.465	V
Input High Voltage	V _{IH}		2			V
Input Low Voltage	V _{IL}				0.8	V
Input High Voltage	V _{IH}	For XIN pin	(VDD/2) + 1	VDD/2		V
Input Low Voltage	V _{IL}	For XIN pin		VDD/2	(VDD/2) - 1	V
Output High Voltage	V _{OH}	I _{OH} = -25mA	2.4			V
Output Low Voltage	V _{OL}	I _{OL} = 25mA			0.4	V
Output High Voltage At CMOS Level	V _{OH}	I _{OH} = -8mA	VDD-0.4			V
Operating Supply Current	I _{DD}	No Load		35		mA
Short-circuit Current	I _S			±120		mA
Input Capacitance	C _{IN}	OE, Select Pins		5		pF

5. Crystal Specifications

PARAMETERS	SYMBOL	MIN.	TYP.	MAX.	UNITS
Crystal Resonator Frequency	F _{XIN}	12		24	MHz
Crystal Loading Capacitance Rating	C _{L (xtal)}		TBD		pF
Driving power			1		mW
ESR	R _S			TBD	Ω

Low Phase Noise CMOS XO (96MHz to 190MHz)

PACKAGE INFORMATION

8 PIN (dimensions in mm)

Symbol	Narrow SOIC		TSSOP	
	Min.	Max.	Min.	Max.
A	1.47	1.73	-	1.20
A1	0.10	0.25	0.05	0.15
B	0.33	0.51	0.19	0.30
C	0.19	0.25	0.09	0.20
D	4.80	4.95	2.90	3.10
E	3.80	4.00	4.30	4.50
H	5.80	6.20	6.20	6.60
L	0.38	1.27	0.45	0.75
e	1.27 BSC		0.65 BSC	

ORDERING INFORMATION

For part ordering, please contact our Sales Department:
 47745 Fremont Blvd., Fremont, CA 94538, USA
 Tel: (510) 492-0990 Fax: (510) 492-0991

PART NUMBER

The order number for this device is a combination of the following:
 Device number, Package type and Operating temperature range

PLL602-42 X C

PART NUMBER _____

TEMPERATURE
 C=COMMERCIAL
 M=MILITARY
 I=INDUSTRIAL

PACKAGE TYPE
 S=SOIC, O=TSSOP

PhaseLink Corporation, reserves the right to make changes in its products or specifications, or both at any time without notice. The information furnished by PhaseLink is believed to be accurate and reliable. However, PhaseLink makes no guarantee or warranty concerning the accuracy of said information and shall not be responsible for any loss or damage of whatever nature resulting from the use of, or reliance upon this product.

LIFE SUPPORT POLICY: PhaseLink's products are not authorized for use as critical components in life support devices or systems without the express written approval of the President of PhaseLink Corporation.