

KR Electronics, Inc.

General Description

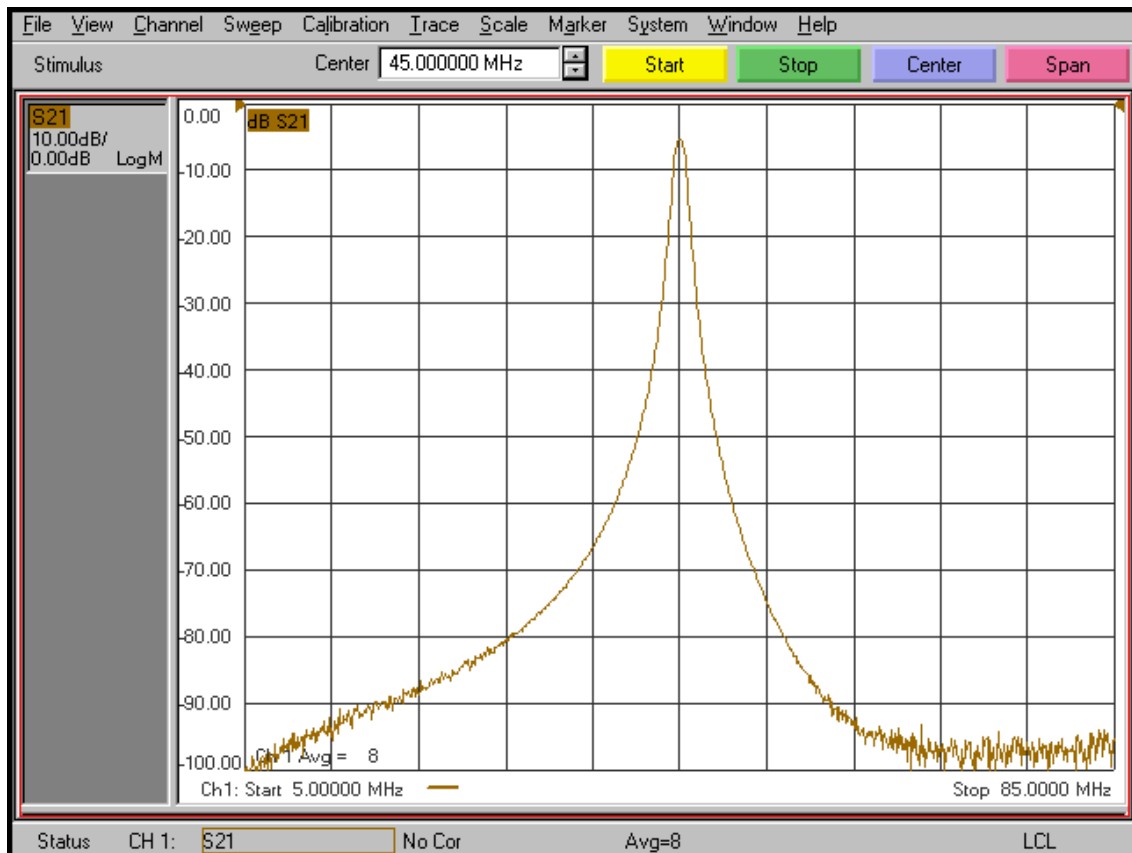
KR Electronics part number 3341-N is a 45 MHz bandpass filter. The filter has a typical 3 dB bandwidth of 1 MHz and a typical 40 dB bandwidth of 6 MHz. Other frequencies and bandwidths available. Please consult the factory.

Features

- 45 MHz Bandpass Frequency
- 3 dB Bandwidth: 1 MHz
- 40 dB Bandwidth: 6 MHz typical
- 50 Ω Source and Load
- N Connectors

Typical Performance

Overall Response (10 dB/div)

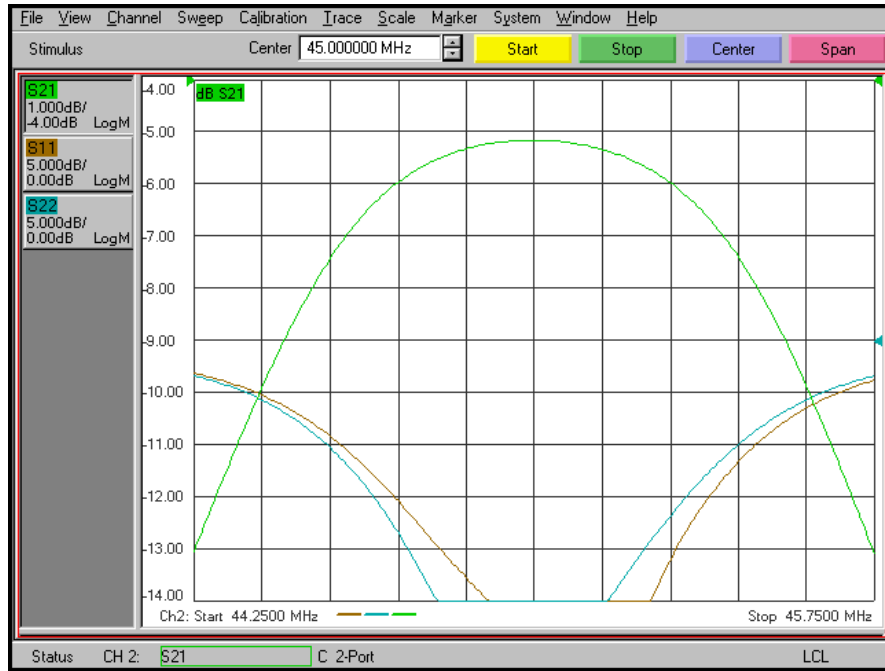


KR Electronics, Inc.
91 Avenel Street
Avenel, NJ 07001

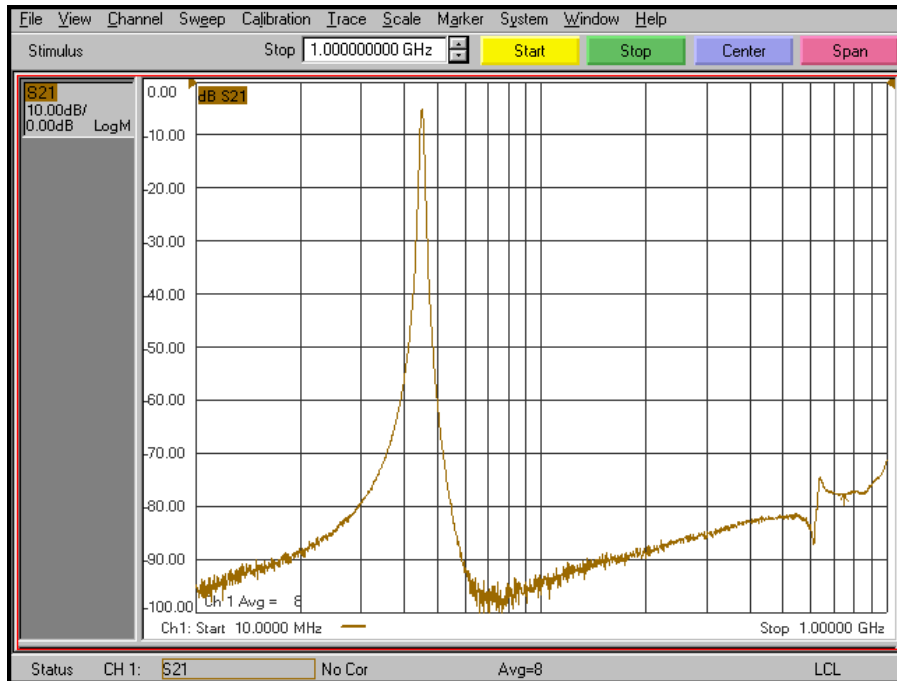
Web: www.krfilters.com
Email: sales@krfilters.com
Phone: (732) 636-1900
Fax: (732) 636-1982

Typical Performance

Passband Amplitude & Return Loss
(1 dB/div & 5 dB/div)



Overall Response
(10 dB/div)

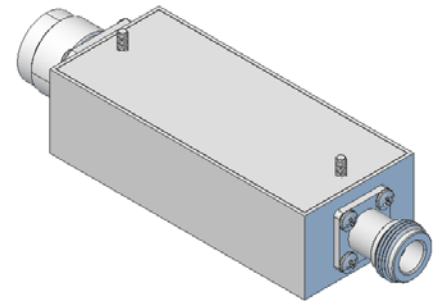
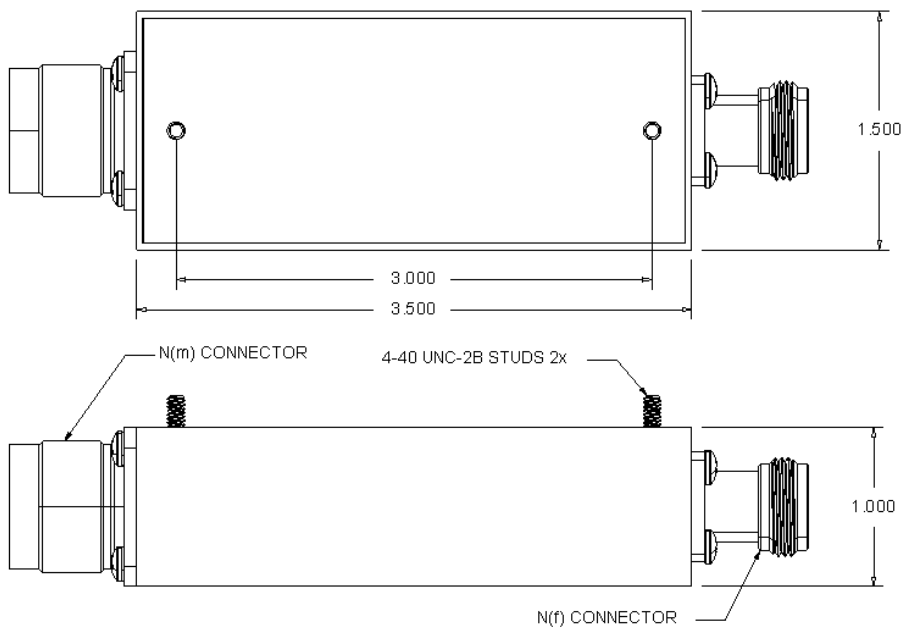


KR Electronics 3341-N

Specifications

Parameter	Specification	Notes
Filter type	Bandpass	
Center Frequency Fc	45 MHz	
Insertion Loss at Fc	6.5 dB max	6.2 dB typical
1 dB Bandwidth	650 KHz typical	
3 dB Bandwidth	1 MHz ±10%	
40 dB Bandwidth	16 MHz max	6 MHz typical
60 dB Bandwidth	13.1 MHz typical	
Source and Load	50 Ω	

Physical Dimensions



Notes:

1. Metal Case
2. Dimensions in inches