

SOC-4000/i

Scale-On-Chip™ ASIC

Technical Specification

SOC-4000/i

Scale-On-Chip™ ASIC

Technical Specification

© 2002 CybraTech (1998) Ltd. All rights reserved.

CybraTech (1998) Ltd. reserves the right to alter the equipment specifications and descriptions in this publication without prior notice. No part of this publication shall be deemed to be part of any contract or warranty unless specifically incorporated by reference into such contract or warranty.

The information contained herein is merely descriptive in nature, and does not constitute a binding offer for the sale of the product described herein.

TABLE OF CONTENTS

GENERAL	1
GENERAL DESCRIPTION	2
ADVANTAGES	2
SPECIFICATIONS.....	3
ANALOG-TO-DIGITAL CONVERTER (ADC).....	3
<i>A/D Converter Main Channel – Wheatstone Bridge (Load Cell)</i>	3
<i>A/D Converter Auxiliary Channel</i>	3
<i>A/D Converter Reference</i>	3
DIGITAL INPUT	4
DIGITAL OUTPUT.....	4
FLASH MEMORY	4
CPU	5
FREQUENCY SOURCE INPUT	5
POWER SUPPLY AND MONITOR.....	5
ENVIRONMENTAL CONDITIONS.....	5
ABSOLUTE MAXIMUM RATING	6
DIMENSIONS	6
SCALE MAIN BOARD LAYOUT AND ASSEMBLY PROCESS PARAMETERS FOR SOC-4000.....	7
PIN CONFIGURATION.....	9
CPU 80C51TBO	15
MEMORY	16
<i>Organization</i>	16
<i>Program Memory Mapping</i>	16
<i>Program Memory Bank Select Register</i>	16
<i>Application Program Start Address</i>	16
<i>Serial Downloading (In-Circuit Programming)</i>	17
<i>Using the Flash for Data Memory</i>	18
<i>Data Memory Mapping</i>	19
<i>CPU SFRs and Configuration Registers (CFRs)</i>	20
INSTRUCTION SET.....	20
RESET	20
INTERRUPT VECTORS	20
ADC CONTROLLER INTERFACE	23
CONTROLLER REGISTERS	23
<i>Semaphore Register</i>	23
<i>Control Register</i>	24
<i>Status/Data Registers</i>	24

OPERATION	26
KEYBOARD CONTROLLER.....	29
CONTROLLER REGISTERS	31
REGISTERS DESCRIPTION.....	31
<i>Control Register</i>	31
<i>Data Registers</i>	31
OPERATION	32
LED/VFD SERIAL INTERFACE DISPLAY CONTROLLER	35
REGISTERS DESCRIPTION.....	36
<i>Control Register</i>	37
<i>Semaphore Register</i>	37
<i>Data Registers</i>	37
OPERATION	38
PRINTER SERIAL INTERFACE CONTROLLER	39
REGISTERS DESCRIPTION.....	40
<i>Semaphore Register</i>	40
<i>Control Register</i>	40
<i>Data Registers</i>	41
OPERATION	42
PRINTER HEAD DATA INTERFACE OPERATION	43
STROBE CONTROLLER	45
REGISTER DESCRIPTION	47
<i>Strobe Clock Enable Control Register</i>	47
<i>Trigger Registers</i>	48
<i>Data Registers</i>	48
OPERATION	50
PRINTER MOTOR AND SENSOR INTERFACE	51
PRINTER MOTOR OPERATION	51
INTERFACING THE PRINTER OPTO-SENSORS	51
IMPLEMENTING END OF LABEL DETECTOR.....	53
IMPLEMENTING LABEL PEEL-OFF DETECTOR:	53
CONNECTING THE PRINTER HEAD THERMISTOR TO THE SOC-4000.....	54
PROGRAMMABLE FREQUENCY CONTROLLER.....	57
CONTROL REGISTERS DESCRIPTION	58
OPERATION	58
WATCHDOG TIMER.....	59
CONTROL REGISTERS DESCRIPTION	59
OPERATION	59
LOW VOLTAGE DETECTOR.....	61
POWER FAILURE INTERRUPT REGISTER	61
CONFIGURATION REGISTERS - CFR.....	63

SPECIAL FUNCTION REGISTERS (SFR)	67
GLOBAL CFR REGISTER.....	67
<i>Operation</i>	67
CONTROLLERS CLOCK ENABLE REGISTERS.....	67
CONTROLLERS RESET REGISTERS	69
I/O OPERATION	71
8051-COMPATIBLE ON-CHIP PERIPHERALS	73
PARALLEL I/O PORTS	73
<i>Timers/Counters</i>	73
SOC-4000 INITIALIZATION	75
PERIPHERAL INTERFACE CONNECTIONS	77
LOAD CELL INTERFACE.....	77
<i>4-Wire and 6-Wire Interfaces</i>	77
<i>Load Cells Connected in Parallel</i>	79
<i>Load Cell Impedance</i>	80
SERIAL COMMUNICATION CHANNEL MULTIPLEXER	80
<i>RS-485 Serial Interface Transmit / Receive Control</i>	80
KEYBOARD INTERFACE	81
LED/VFD SERIAL DISPLAY INTERFACE	83
EXTERNAL INTERRUPT SOURCES	83
<i>Using the Vdet input:</i>	84
<i>Using Timer0 and Timer1 inputs:</i>	84
I ² C-COMPATIBLE INTERFACE.....	84
POWER SAVING SCHEMES	84
IN-CIRCUIT EMULATOR (ICE) SYSTEM.....	85
GROUNDING AND BOARD LAYOUT RECOMMENDATIONS.....	85
LCD DISPLAY MODULE INTERFACE	86

LIST OF FIGURES

FIGURE 1:	SOC-4000 TYPICAL APPLICATION	1
FIGURE 2:	SOC-4000 MAXIMAL BLOCK DIAGRAM	2
FIGURE 3:	MECHANICAL OUTLINE DRAWING	6
FIGURE 4:	PCB BOARD LAYOUT	7
FIGURE 5:	SOC-4000 PIN ARRANGEMENT	12
FIGURE 6:	SOC-4000 PIN CONFIGURATION	13
FIGURE 7:	CPU BLOCK DIAGRAM	15
FIGURE 8:	SOC-4000/I STARTUP PROCEDURE	17
FIGURE 9:	SOC-4000 PROGRAM MEMORY MAP	18
FIGURE 10:	SOC-4000 DATA MEMORY MAP	19
FIGURE 11:	KEYBOARD MATRIX CONFIGURATION	30
FIGURE 12:	LED/VFD SERIAL INTERFACE DISPLAY BLOCK DIAGRAM	35
FIGURE 13:	LED/VFD SERIAL INTERFACE CONTROLLER TIMING DIAGRAM	36
FIGURE 14:	PRINTER INTERFACE BLOCK DIAGRAM	39
FIGURE 15:	SERIAL HEAD TIMING DIAGRAM	43
FIGURE 16:	PRINTER STROBE STRETCHER	45
FIGURE 17:	AUXILIARY MOTOR (AUXMOTOR) PULSE STRETCHER (PIN 29)	46
FIGURE 18:	PRINTER POWER (VPP) PULSE STRETCHER (PIN 28)	46
FIGURE 19:	PRINTER MOTOR TIMING DIAGRAM	51
FIGURE 20:	OPTO-SENSOR INTERFACE TO SOC-4000	52
FIGURE 21:	END OF LABEL DETECTOR	53
FIGURE 22:	PEEL-OFF LABEL DETECTOR (AUTO)	53
FIGURE 23:	EXAMPLE OF RESISTANCE/TEMPERATURE VARIATION FOR THE THERMISTOR	54
FIGURE 24:	THERMISTOR SENSOR	55
FIGURE 25:	CLOCK GENERATOR BLOCK DIAGRAM	57
FIGURE 26:	LOW VOLTAGE DETECTOR	61
FIGURE 27:	4-WIRE LOAD-CELL CONNECTION	78
FIGURE 28:	6-WIRE LOAD-CELL CONNECTION	78
FIGURE 29:	MULTIPLE LOAD-CELL CONNECTION	79
FIGURE 30:	KEYBOARD INTERFACE	82
FIGURE 31:	SOC-4000 INTERFACE TO A LED/VFD DISPLAY	83
FIGURE 32:	LCD DISPLAY MODULE HARDWARE INTERFACE	86

LIST OF TABLES

TABLE 1:	SOC-4000 PIN CONFIGURATION FOR PRINTER	9
TABLE 2:	INTERRUPT VECTORS DESCRIPTION	21
TABLE 3:	ADC CONTROLLER REGISTERS DESCRIPTION	23
TABLE 4:	ADC CONTROLLER INTERFACE SEMAPHORE REGISTER BIT DEFINITIONS	23
TABLE 5:	ADC CONTROLLER INTERFACE CONTROL REGISTER BIT FUNCTIONS	24
TABLE 6:	ADC CONTROLLER INTERFACE DATA REGISTER BIT DEFINITIONS	24
TABLE 7:	ADC CONTROLLER INTERFACE DATA REGISTER BIT FUNCTIONS	25
TABLE 8:	ADC OUTPUT COUNTS VS. ADC SETTINGS	27
TABLE 9:	KEYBOARD CONTROLLER REGISTERS DESCRIPTION	31
TABLE 10:	KEYBOARD CONTROLLER CONTROL REGISTER BIT FUNCTIONS	31
TABLE 11:	KEYBOARD CONTROLLER DATA REGISTER BIT DEFINITIONS	32
TABLE 12:	LED SERIAL CONTROLLER DRIVER REGISTERS DESCRIPTION	36
TABLE 13:	LED/VFD SERIAL INTERFACE DISPLAY CONTROL REGISTER BIT FUNCTIONS	37
TABLE 14:	LED/VFD SERIAL INTERFACE DISPLAY DATA REGISTER BIT DEFINITIONS	38
TABLE 15:	PRINTER INTERFACE CONTROLLER REGISTERS DESCRIPTION	40
TABLE 16:	PRINTER INTERFACE CONTROLLER CONTROL REGISTER BIT FUNCTIONS	40
TABLE 17:	PRINTER INTERFACE CONTROLLER DATA REGISTER BIT DEFINITIONS	41
TABLE 18:	STRETCHER CONTROLLER REGISTERS DESCRIPTION	47
TABLE 19:	STROBE CLOCK ENABLE CONTROL REGISTER BIT FUNCTIONS	47
TABLE 20:	TRIGGER REGISTER DEFINITIONS	48
TABLE 21:	STRETCHER CONTROLLER DATA REGISTER BIT DEFINITIONS	48
TABLE 22:	STRETCHER RESET REGISTER DEFINITIONS	49
TABLE 23:	PRINTER SENSORS INTERFACE	52
TABLE 24:	ADC CHANNEL 2 OUTPUT RANGE	55
TABLE 25:	CLOCK FREQUENCY CONTROL REGISTER BIT SETTINGS	58
TABLE 26:	WATCHDOG TIMER OPERATING PARAMETERS	59
TABLE 27:	WATCHDOG TIMER COMMAND SEQUENCE	59
TABLE 28:	POWER-FAILURE INTERRUPT REGISTER BIT SETTINGS	61
TABLE 29:	CFR BIT CONFIGURATION	64
TABLE 30:	GLOBAL CFR REGISTER	67
TABLE 31:	C200H CLOCK ENABLE REGISTER	67
TABLE 32:	C200H CONTROLLERS CLOCK ENABLE REGISTER BIT FUNCTIONS	68
TABLE 33:	C201H CONTROLLERS CLOCK ENABLE REGISTER BIT FUNCTIONS	68
TABLE 34:	CONTROLLERS RESET REGISTER	69
TABLE 35:	BIT-ORIENTED I/O PORTS ADDRESSES, PIN AND BIT ASSIGNMENT	71
TABLE 36:	BYTE-ORIENTED OUTPUT PORTS ADDRESSES AND PIN ASSIGNMENT	72
TABLE 37:	AVAILABLE PINS ON THE 80C51 I/O PORT	73
TABLE 38:	COMMUNICATION CHANNEL MULTIPLEXER CONTROL	80
TABLE 39:	I ² C-COMPATIBLE INTERFACE HARDWARE INTERFACE	84
TABLE 40:	SOC-4000 INTERFACE SIGNALS TO LCD DISPLAY MODULE	86
TABLE 41:	LCD DISPLAY MODULE INTERFACE SIGNALS	87
TABLE 42:	REGISTERS ADDRESSES AND FUNCTION	87

GENERAL

Features

Scale-On-Chip System

- Single-Chip Printer Scale electronics
- Full OIML R-76 compliance
 - SOC-4000–3000 d
 - SOC-4000i–6000 d
- Up to eight load cells
- 6-wire load cell connection (including Sense inputs)

Peripherals

- Display Supports LCD, LED and VFD:
 - LED: Up to 24 digits
 - VFD: Up to 24 digits
 - LCD Module: 4 lines x 20 characters
- Keyboard: Up to 128 keys
- Serial communication: RS-232/485
- I/O (set-points): Up to 16 lines
- Temperature sensor input

Analog-to-Digital Converters

- Resolution – 20 bits

- Sample Rate – 5, 10, 20 samples/sec
- Programmable gain – 0.5, 0.75, 1, 1.5, 2

CPU

- Enhanced 80C51TBO
- 4 cycles/instruction
- 512 KByte, field-programmable Flash program and data memory
- Up to 512 KByte SRAM with battery backup support
- 4KByte non-volatile Data Flash

Power

- 5/3.3V operation, 10mA
- Power failure detector

Applications

- Price computing printer scales
- Weighing indicators
- Counting scales
- Checkout scales

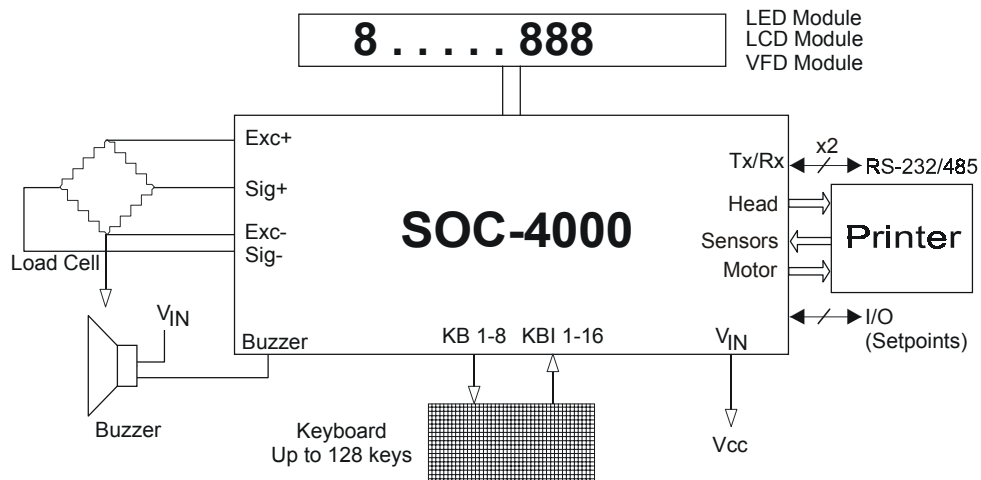


FIGURE 1: SOC-4000 TYPICAL APPLICATION

General Description

The SOC-4000 ASIC is an 84-pin, single-chip scale intended to replace present-day, multiple-component weighing **printer** scale electronic circuitry designs. It includes the pre-amplifier, A/D converter, display drivers, keyboard controller, printer drivers, serial communication, embedded CPU and field-programmable program and data memory.

As a "stand-alone" unit it incorporates all scale hardware functions and represents a true breakthrough in scale manufacturing. It eliminates the risks, costs and inventory needs associated with discrete components.

The SOC-4000 comes with a comprehensive software library, which implements hardware drivers, such as the display, keyboard and printer, as well as most of the standard weighing functions. A complete development environment is available, enabling the user to tailor and customize the application according to specific needs.

The general SOC-4000 block diagram is presented in Figure 2.

Advantages

- Generic OIML R-76 approval
- Minimize hardware and software development
- Significantly cuts time-to-market
- Reduces inventory needs

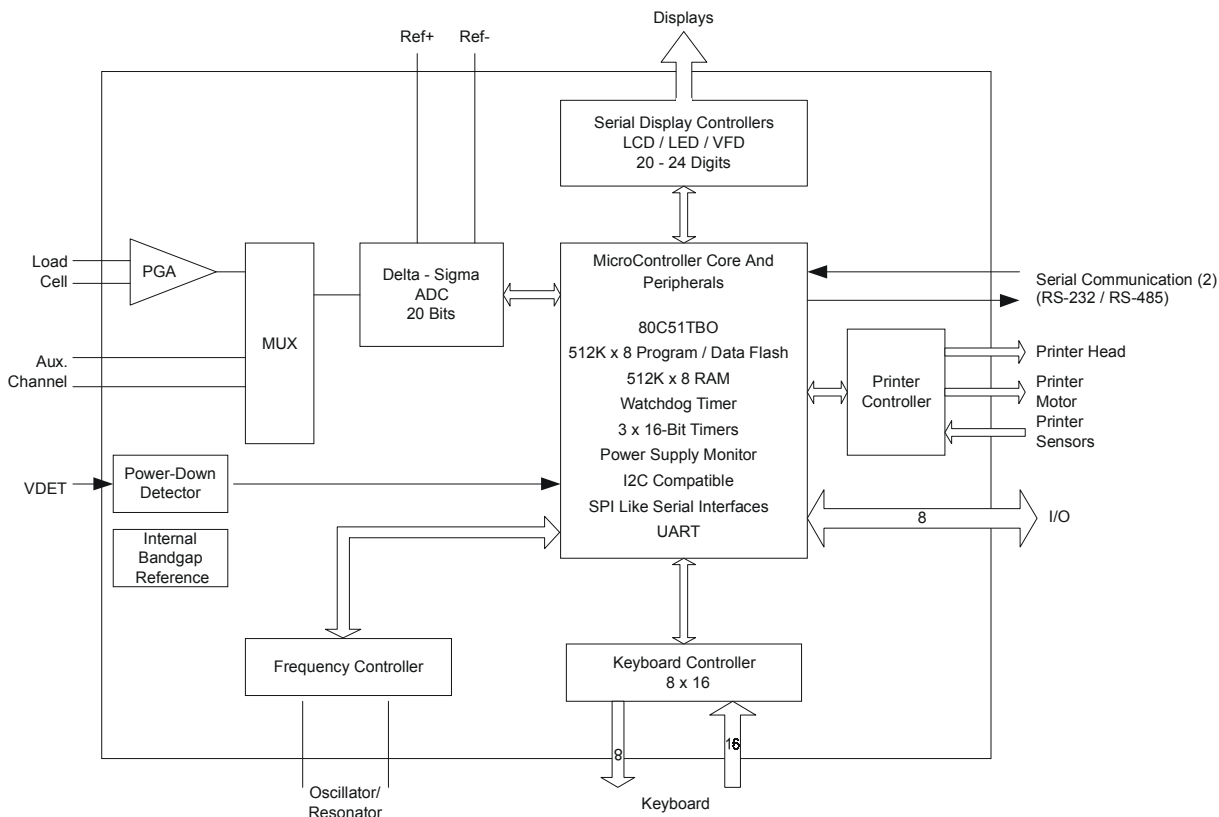


FIGURE 2: SOC-4000 MAXIMAL BLOCK DIAGRAM

SPECIFICATIONS

Analog-to-Digital Converter (ADC)

A/D Converter Main Channel – Wheatstone Bridge (Load Cell)

PARAMETER	MIN	TYP	MAX	UNIT	COMMENTS
Differential Input Voltage	0		+10	mV	
Programmable Gain	0.5		2		Up to 8 load cell
Offset Drift vs. Temperature			20	ppm/°C	
Gain Drift vs. Temperature			4	ppm/°C	
Integral Non-linearity			<0.004	%	Of full scale
Common-Mode Rejection (CMR)	120			dB	
Power Supply Rejection	120			dB	
Output Noise		200		nVp-t-p	±1 count
Resolution			20	bit	
Sample Rate	5	10	20	Samples/s	

A/D Converter Auxiliary Channel

PARAMETER	MIN	TYP	MAX	UNIT	COMMENTS
Analog Input Voltage	0		1	V	
Offset Drift			20	ppm/°C	
Gain Drift			4	ppm/°C	
Resolution			20	Bit	
Sample Rate	5	10	20	Samples/s	

A/D Converter Reference

PARAMETER	MIN	TYP	MAX	UNIT	COMMENTS
Reference Input			5	V	Ratiometric

Digital Input

PARAMETER	MIN	TYP	MAX	UNIT	COMMENTS
V _{IH} (Input High Voltage)	2		5	V	TTL Level excluding XTAL
V _{IL} (Input Low Voltage)	0.0		0.8	V	TTL Level excluding XTAL
XTAL Input					
V _{IH} (Input High Voltage)	2.5			V	V _{DD} = 3.3V
V _{IL} (Input Low Voltage)			0.4	V	V _{DD} = 3.3V

Digital Output

PARAMETER	MIN	TYP	MAX	UNIT	COMMENTS
V _{OH} (Output High Voltage)			3.3	V	TTL Level set by user by external resistors
V _{OL} (Output Low Voltage)	0.0		0.8	V	TTL Level set by user by external resistors

PARAMETER	MIN	TYP	MAX	UNIT	COMMENTS
V _{OH} (Output High Voltage)			3.3	V	
V _{OL} (Output Low Voltage)	0.0		0.8	V	

Flash Memory

PARAMETER	MIN	TYP	MAX	UNIT
Endurance	10,000	100,000		Cycles
Data Retention	100			Years
Erase				
Full Memory			100	ms
Single Block (4kByte)			25	ms
Program Byte			20	us

CPU

PARAMETER	MIN	TYP	MAX	UNIT	COMMENTS
Enhanced 80C51TBO					
RESET Threshold Level			3.98	V	
Start-Up Time		500		ms	
• From Power On		1		ms	
• From Idle Mode		1		ms	
• From Power Down		500		ms	Oscillator power-down not through OSCEN bit. Oscillator power-down through OSCEN bit.
From Watchdog Reset		1		ms	

Frequency Source Input

PARAMETER	MIN	TYP	MAX	UNIT	COMMENTS
Frequency			16	MHz	Crystal oscillator or resonator

Power Supply and Monitor

PARAMETER	MIN	TYP	MAX	UNIT	COMMENTS
Input Voltage Monitor	4.50		4.75	V	
Power Fail Input Monitor Level					Set by external resistors
Analog Voltage Input (V_{CC})	4.75	5.00	5.25	V	
Digital Voltage Input (V_{CC})	3.00	3.30	3.60	V	
Power Supply Current (I_{IN})			15	mA	

Environmental Conditions

PARAMETER	MIN	TYP	MAX	UNIT	COMMENTS
Temperature	-10	20	40	°C	Full performance
	-20	20	70	°C	Operating
Humidity	0		95	%	Non-condensing

Absolute Maximum Rating

PARAMETER	MIN	MAX	UNIT	COMMENTS
V_{CC}		6	V	Analog power
V_{DD}		4	V	Digital power
V_{CC}		6	V	Power
Input Signal Voltage		5.5	V	
Operating Temperature	-20	+70	°C	
Storage Temperature	-20	+85	°C	
Lead Temperature				
Manual soldering		300	°C	Soldering for 10 seconds
Reflow soldering		225	°C	60 seconds

Dimensions

The outline dimensions of the SOC-4000 case is shown in Figure 3.

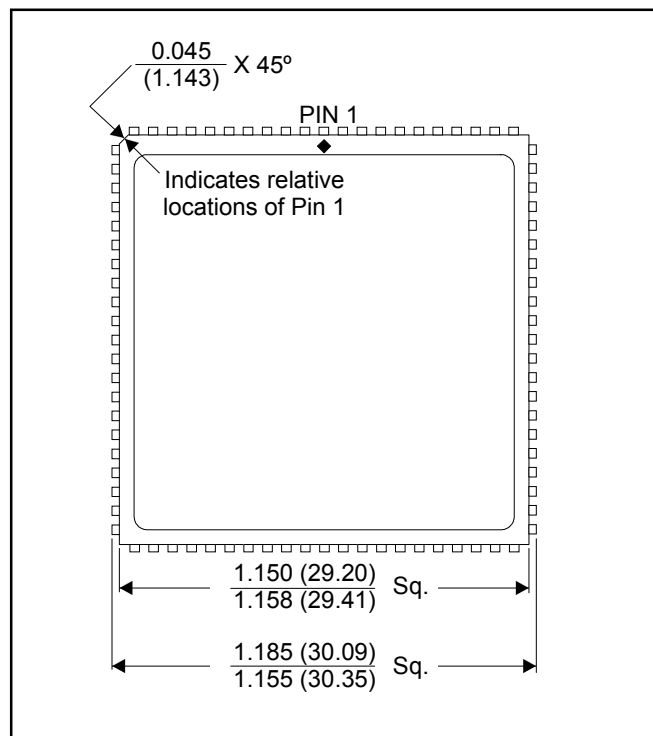


FIGURE 3:MECHANICAL OUTLINE DRAWING

Scale Main Board Layout And Assembly Process Parameters For SOC-4000

PCB Layout and Production Guidelines

1. Pad definition will be according to Figure 4. All dimensions are in milli-inches (mil).
2. Solder mask opening should be 3mil (total 6 mil).
3. Board finish may be HAL (hot air leveling), immersion gold over nickel or immersion.

Assembly Guidelines

4. Verify that the SOC-4000 components are packaged in hermetically sealed package. If The packaging is damaged or has been removed, perform the following drying procedure to assure that SOC-4000 components are completely dry:
 - **Components drying procedure:**
Place the SOC-4000 components in their tray and put them into a baking oven to dry at a temperature of 105°C for a minimum of 6 hours.
5. Reflow temperature profile should be set according to the paste parameters.
6. Maximum reflow temperature should be less than 225 °C.
7. Recommended paste: Koki, AIM, Multicore
Type 3
NC
RMA or equivalent.

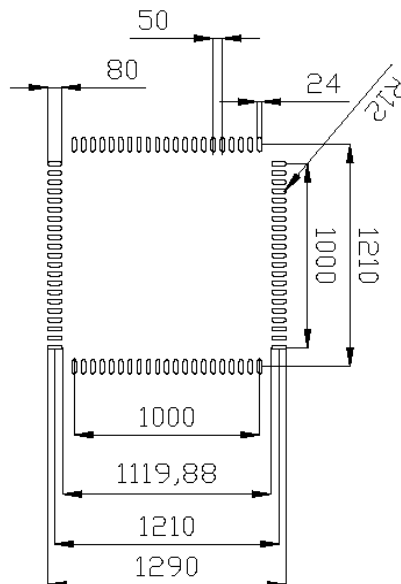


FIGURE 4:PCB BOARD LAYOUT

(Dimensions are in milli-inches (mil))

PIN CONFIGURATION

Glossary of terms regarding SOC-4000 pin configuration are presented on page 12. The physical pin arrangement is shown in Figure 5 and Figure 6, page 12.

TABLE 1: SOC-4000 PIN CONFIGURATION FOR PRINTER

PIN	NAME	DESCRIPTION	2 ND FUNCTION	DESCRIPTION	PULL-UP RESISTOR
1	KOUT4	Keyboard Controller output. (See "Keyboard Controller", page 29)	I.O P14.3	I/O (See "I/O Operation" on page 71)	50k
2	KOUT3		I.O P14.4		
3	KOUT2		I.O P14.5		
4	KOUT1		I.O P14.6		
5	KOUT0		I.O P14.7		
6	VDD	Digital Power Supply, 3.3V			
7	KIN7	Keyboard Controller Input. (See "Keyboard Controller", page 29)	I.O P15.0	I/O (See "I/O Operation" on page 71)	50k
8	KIN6		I.O P15.1		
9	KIN5		I.O P15.2		
10	KIN4		I.O P15.3		
11	KIN3		I.O P15.4		
12	KIN2		I.O P15.5		
13	KIN1		I.O P15.6		
14	KIN0		I.O P15.7		
15	BUZZER	Buzzer	P1.7 (CPU)		25k
16	SCL	I ² C Serial Clock	P1.5 (CPU)		10k
17	SDA	I ² C Serial Data	P1.4 (CPU)		
18	XTAL OUT	Frequency source			
19	XTAL IN				
20	TX	Serial communication			
21	RX				100k
22	TX2		OUT P4.0	Outputs (See "I/O Operation" on page 71)	
23	RS485		OUT P4.1		
24	RX2				100K
25	LABEL DET.	Label detect input. (See page 53)	I.O P3.4(CPU)	CPU I/O Ports Or, P3.4-TIMER 0 P3.5-TIMER 1	50K
26	AUTO DET.	Prepack label removal detector input. (See page 53)	I.O P3.5(CPU)		
27	PAPER DET.	Paper detect input. (See page 53)	I.O P1.6(CPU)		

PIN	NAME	DESCRIPTION	2 ND FUNCTION	DESCRIPTION	PULL-UP RESISTOR	
28	VPP	Printer head heater power control. (See “Strobe Controller”, page 45 and “Printer Head Data Interface Operation”, page 43)	OUT P4.2	Outputs (See “I/O Operation” on page 71)		
29	AUXMOTOR	Auxiliary motor control	OUT P4.3			
30	MOTOR1	Motor control.	OUT P5.0			
31	MOTOR2	(See also “Printer Motor Operation” page 51)	OUT P5.1			
32	MOTOR3		OUT P5.2			
33	MOTOR4		OUT P6.0			
34	MOTOR5		OUT P6.1			
35	MOTOR6		OUT P6.2			
36	STROBE1/OE1	Printer head dot control	OUT P6.3		Outputs (See “I/O Operation” on page 71)	
37	STROBE2/OE2	(See “Strobe Controller”, page 45)	OUT P7.0			
38	STROBE3/OE3		OUT P7.1			
39	STROBE4/OE4		OUT P7.2			
40	STROBE5/OE5		OUT P7.3			
41	STROBE6/OE6		OUT P8.0			
42	SWITCH	Printer head switch detector input	I.O P18.0	I/O (See “I/O Operation” on page 71)	50k	
43	PRN LATCH	Printer serial data interface.	OUT P8.1	Outputs (See “I/O Operation” on page 71)		
44	PRN_SI_DATA	(See “Printer Serial Interface Controller”, page 39 and “Printer Head Data Interface Operation”, page 43)	OUT P8.2			
45	PRN_SI_CLK		OUT P8.3			
46	D0 OUTPUT	LCD Display module interface, data bus interface. Output only. (See “LCD Display Module Interface”, page 86)				
47	D1 OUTPUT					
48	D2 OUTPUT					
49	D3 OUTPUT					
50	D4 OUTPUT					
51	D5 OUTPUT					
52	D6 OUTPUT					
53	D7 OUTPUT					
54	RDLCD (A1)	Read Signal for LCD display module. (See page 86)	OUT P12.0	Output (See “I/O Operation” on page 71)		
55	WRLCD (A0)	Write Signal for LCD display module. (See page 86)	OUT P12.1			
56	CSLCD	Chip Select for LCD display module. (See page 86)	OUT P12.2			
57	VBAT	RAM backup voltage input				

PIN	NAME	DESCRIPTION	2 ND FUNCTION	DESCRIPTION	PULL-UP RESISTOR
58	LED_SI_CLK	LED/VFD Serial Interface Display Module Clock, Data, Strobe and Blank. (See "LED/VFD Serial Display Controller", page 47)	OUT 13.0	Output (See "I/O Operation" on page 71)	
59	LED_SI_Data		OUT 13.1		
60	LED_SI_ST		OUT 13.2		
61	LED_SI_BL		OUT 13.3		
62	VCC	Power Supply			
63	RESET	Reset			50k
64	GND	Digital Ground			
65	VDET/INT0~	Power voltage detector input / Interrupt0 Input			
66	SIG2+	2nd channel input signal +			
67	SIG2-	2nd channel input signal -			
68	AGND	Analog Ground			
69	SEN-	Load cell Sense input -			
70	SIG1-	Load cell signal input -			
71	SIG1+	Load cell signal input +			
72	SEN+	Load cell Sense input +			
73	AVCC	Analog power supply			
74	KIN15	Keyboard Controller input. (See "Keyboard Controller", page 29)	I.O 17.0	I/O (See "I/O Operation" on page 71)	50k
75	KIN14		I.O 17.1		
76	KIN13		I.O 17.2		
77	KIN12		I.O 17.3		
78	KIN11		I.O 17.4		
79	KIN10		I.O 17.5		
80	KIN9		I.O 17.6		
81	KIN8		I.O 17.7		
82	KOUT7	Keyboard Controller Output. (See "Keyboard Controller", page 29)	I.O 14.0		
83	KOUT6		I.O 14.1		
84	KOUT5		I.O 14.2		

Glossary of Terms

TERM	DEFINITION
ST	Schmidt-Trigger
3-ST	Tri-State
I	Input
O	Output
I.O	Input/Output
PRN	Printer
SI	Serial Interface
CLK	Clock
RD	Read
WR	Write
KIN	Keyboard Input
KOUT	Keyboard Output
Pxx.x	I/O Port

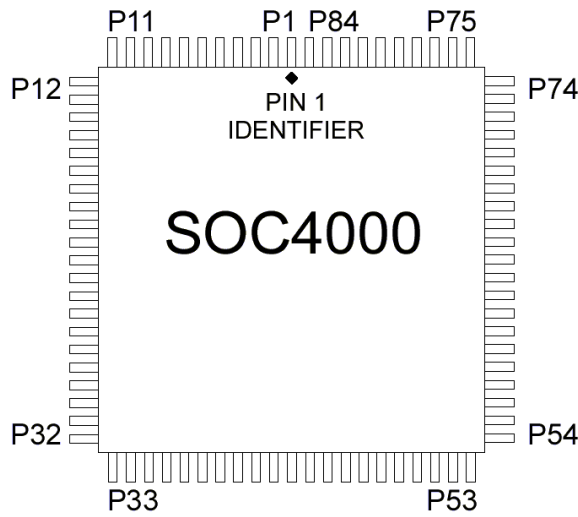


FIGURE 5: SOC-4000 PIN ARRANGEMENT

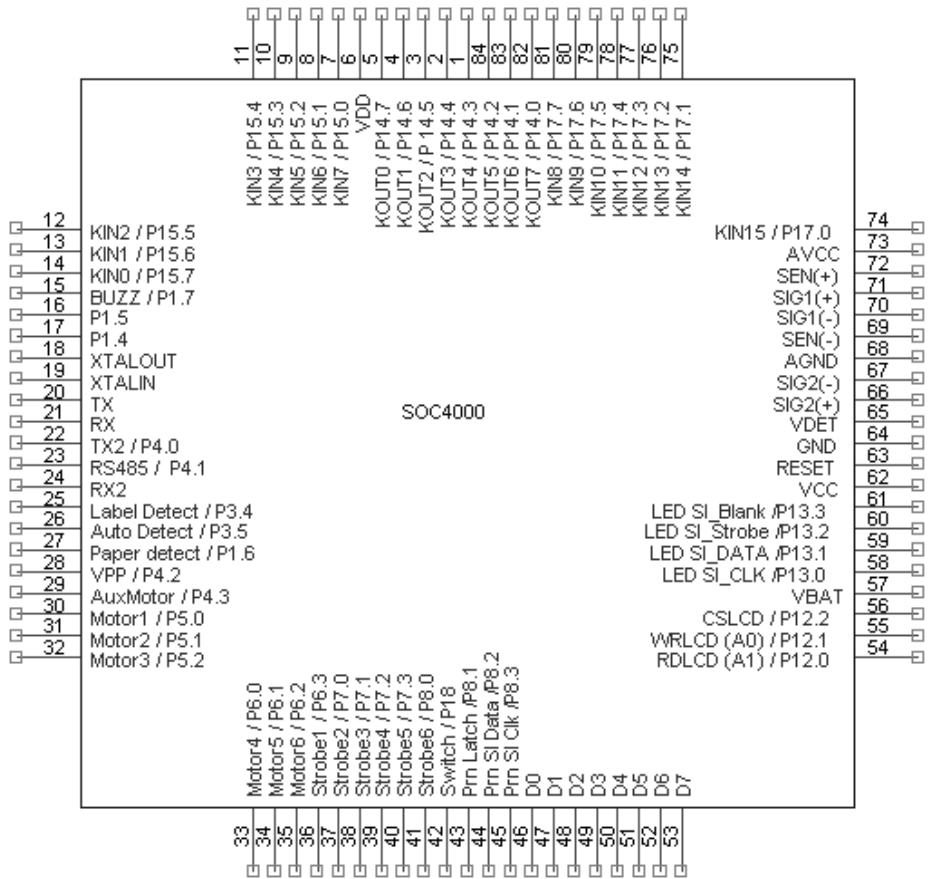


FIGURE 6: SOC-4000 PIN CONFIGURATION

CPU 80C51TBO

The reference source for data given here is "M8051TBO Technical Specifications", Virtual IP Group, Inc., Version M8051TS97DF02. Refer to this manual for a complete CPU specification.

Features

- 8-bit CPU
- Compatible with standard 80C31
- Four 8-bit I/O ports
- Three 16-bit timers
- On-chip oscillator and clock circuitry
- 256-byte on-chip, 8051-compatible SFR RAM
- 64Kbyte program memory with bank switching
- 4Kbyte external RAM
- High-speed architecture of 4 cycles/instruction
- Dual data pointers
- Full-Duplex enhanced UART

Advantages

- Fast running and improved performance
- No wasted clock and memory cycles
- Works efficiently with all types of peripheral devices
- Improved power consumption characteristics
- On-chip Power-On/Reset

Architecture

The CPU block diagram is presented in Figure 7.

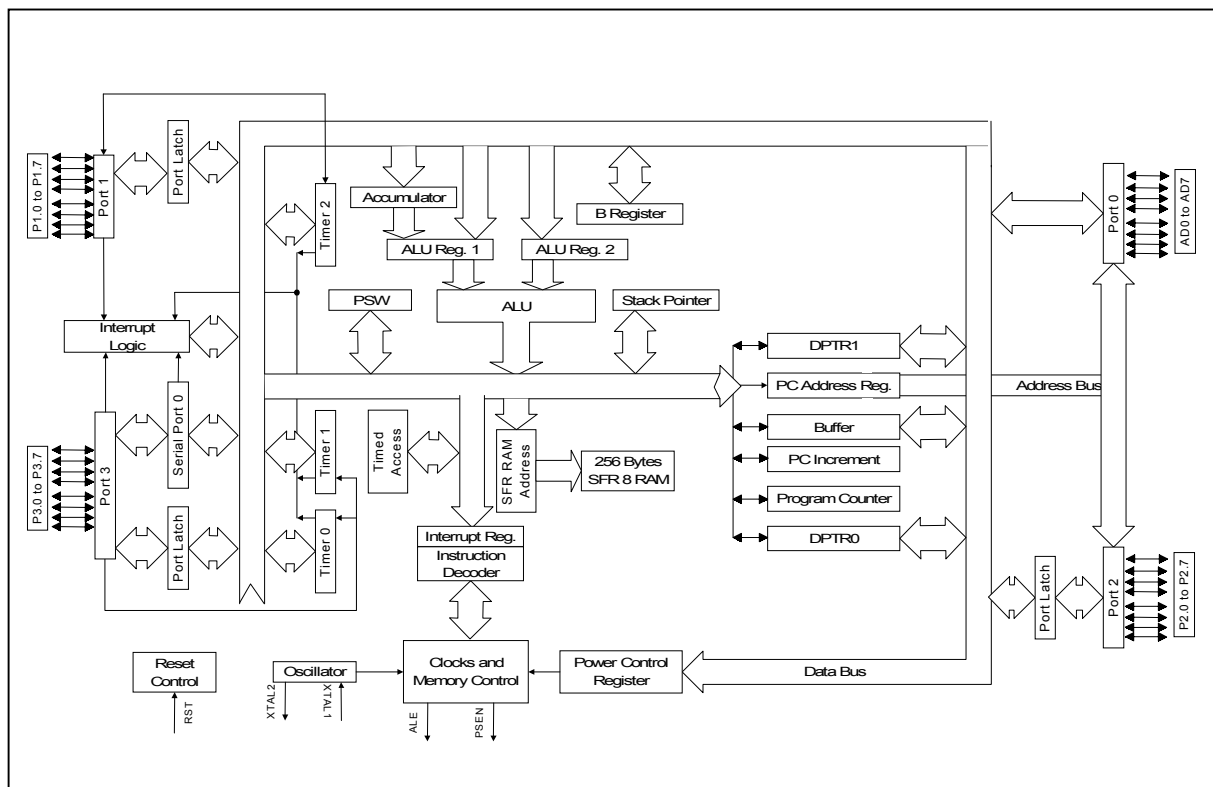


FIGURE 7: CPU BLOCK DIAGRAM

Memory

Organization

The SOC-4000 is an 8051-compatible device with an 80C310 memory chip. As with all such devices, the SOC-4000 has separate address spaces for Program and Data memory. The program memory space can be programmed while the device is in circuit through the serial port.

- Flash memory – memory space containing non-volatile, in-circuit re-programmable code and data (such as calibration data). The code in the Flash memory may be in-circuit programmed at a byte level, although it must first be erased, the erasing being performed in page blocks. The program memory space can be in-circuit programmed through the serial port.
- RAM memory – Temporary memory used as “scratchpad memory” for the software.

Program Memory Mapping

The 8051-compatible SOC-4000 supports a maximum code space of 64K. Programs larger than 64K are handled by bank switching, in order to select one of a number of code banks residing at one physical address.

In the SOC-4000, there is one 32K Common-Program Area mapped from address 1000H to 7FFFH (Figure 9) and 15 x 32K code banks mapped from code address 8000H to FFFFH (Figure 9). The code banks are selected using P1.0 to P1.3, as described below.

Program Memory Bank Select Register

The program memory bank select register is implemented using the 80C51TBO Port 1 bits P1.0 – P1.3. P1.0 is the least significant bit. Manipulation of other Port 1 I/O pins must be carried out without affecting these bits.

To enable the program memory access set registers C104H, C105H and C106H to AAH as follows:

C104H = AAH

C015H = AAH

C106H = AAH

NOTE: *The page register is WRITE ONLY! Reading P1.0-P1.3 may result in an ambiguous result.*

Application Program Start Address

The start address of the application program should be located at 1000H, as the first 4kBytes are reserved for the SOC-4000/I system.

Serial Downloading (In-Circuit Programming)

As part of its embedded boot software, the SOC-4000 facilitates serial code and data download via the standard UART serial port. Serial download mode is automatically entered upon power-up or reset if one of the following conditions exists

- No valid program is programmed in the Flash memory.
- A request for download process was initiated via the UART during the first 200 ms after power-up/reset.

Once in this mode, you can download code or data files into the Flash memory, while the device is located in its target board. The **CybraTech Cloader executable** is the PC serial download utility provided together with the device and its documentation and software library.

The SOC-4000/I may be programmed only if within 200ms after power-up or RESET it established communication with the **Cloader executable**, or if the application program is not available or not valid (checksum error). Figure 8 describe the startup procedure of the SOC-4000.

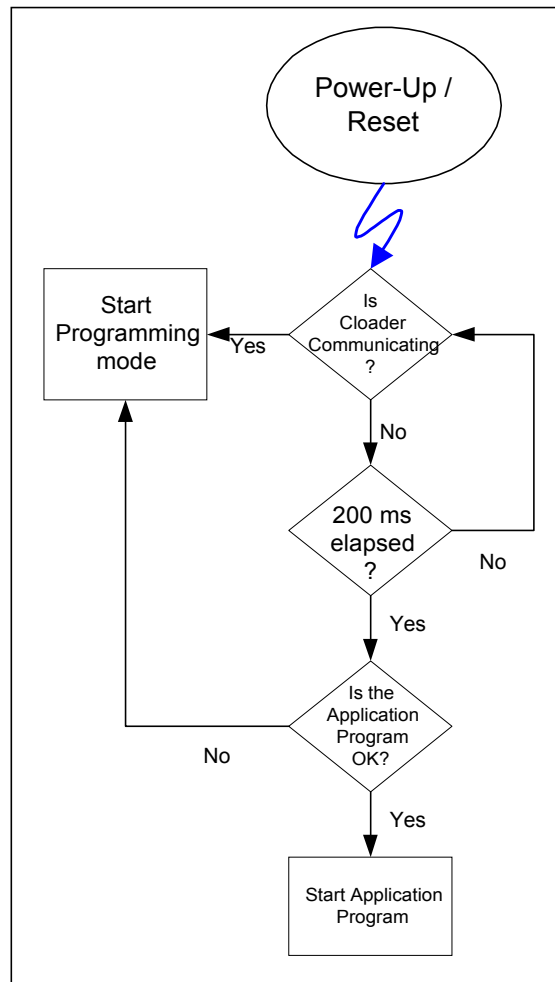


FIGURE 8: SOC-4000/I STARTUP PROCEDURE

Using the Flash for Data Memory

The Flash memory may be used for storing non-volatile data. To update the data area while the program is running, the Flash must be defined as a DATA area (and not as a CODE area). **CybraTech Flash Manager** software manages this process in an efficient and reliable manner. It provides the means to read, write, erase and update the Flash Data area. A detailed description of the **CybraTech Flash Manager** function is included in the SOC-4000 Software Function Library user manual, document number: SOC-0000-SW01-OM.

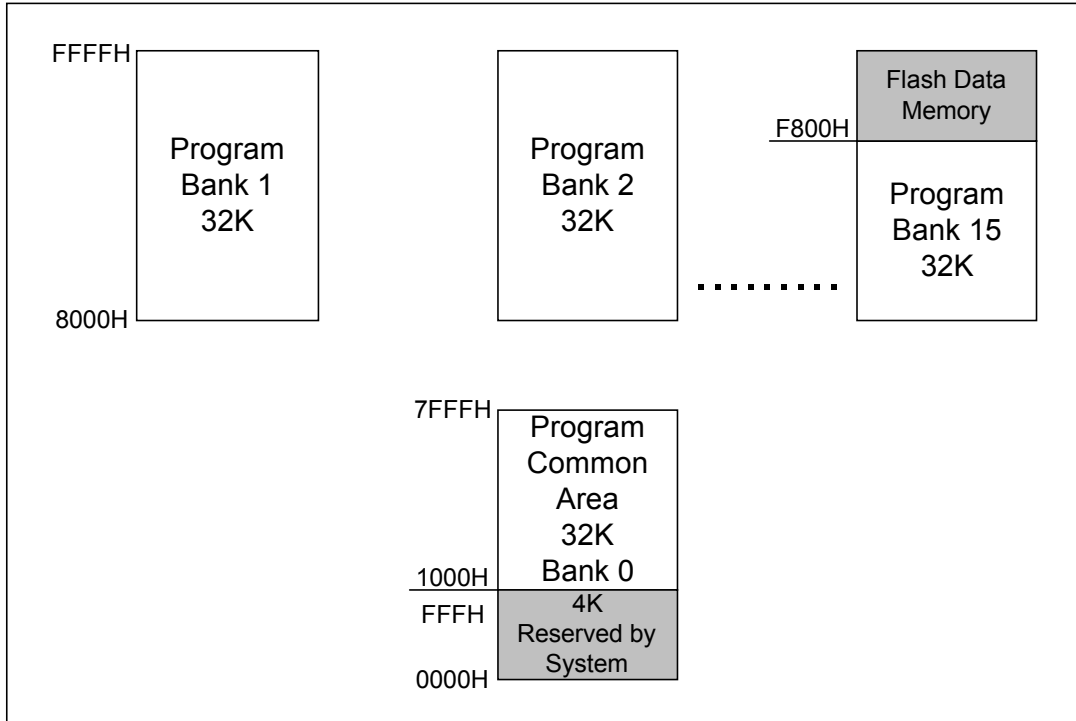


FIGURE 9: SOC-4000 PROGRAM MEMORY MAP

Data Memory Mapping

The SOC-4000 data memory is stored in 3 areas:

- a. 256-bytes internal RAM, mapped as IDATA.
- b. 4kByte RAM located at addresses 8000H – 8FFFH.
This memory is mapped as XDATA memory and is used as the SOC-4000 working RAM and scratchpad memory.
- c. Up to 512kByte RAM with battery backup mapped at address range 0000H – 7FFFH as XDATA memory mapped as 16 page of 32kByte each.
This area may be used as data area to store transactions, PLUs and any other non-volatile data required by the application.

RAM Bank Select Register

CFR C113H (bits 0-3) is the page register controlling the active RAM page.
To enable the C113H register set C104H, C105H and C106H to AAH

C104H = AAH

C015H = AAH

C106H = AAH

For SOC-4000 with 128kByte RAM only bits 0-1 are applicable (bit 0 – LSB).

For SOC-4000 with 512kByte RAM bits 0-3 are applicable (bit 0 – LSB).

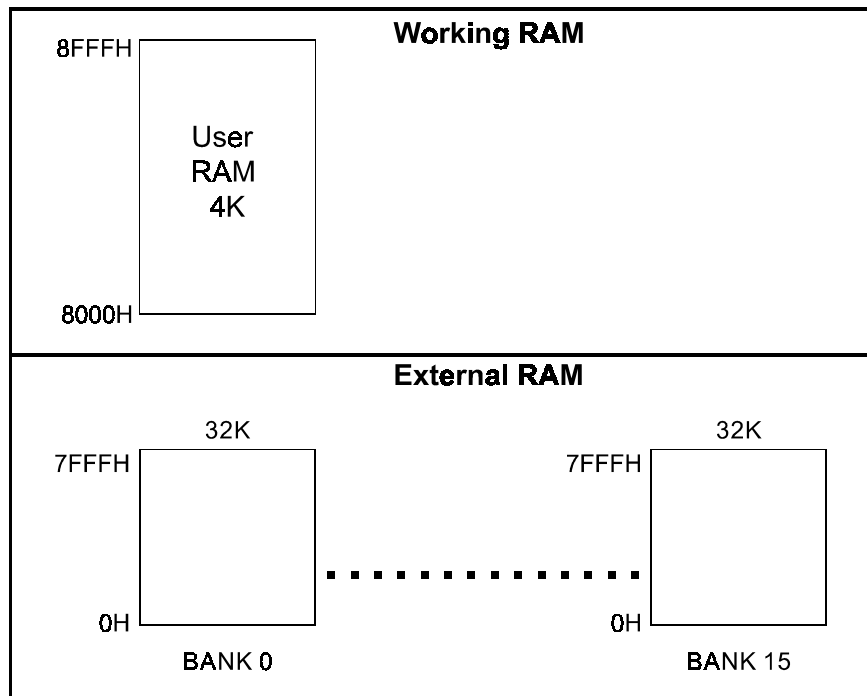


FIGURE 10: SOC-4000 DATA MEMORY MAP

CPU SFRs and Configuration Registers (CFRs)

The CPU SFRs (Special Function Registers) are compatible with the 8051 instruction set. Please refer to “M8051TBO Technical Specifications”.

The CPU controls the peripherals and their operating modes through Configuration Registers (CFRs). The CFR registers for each peripheral are described in Table 29 (page 64).

Instruction Set

All instructions in the 8051-compatible SOC-4000 instruction set perform the same functions as in the 8051. They identically oversee bit and flag operations and other status functions. Only the clock configuration differs.

For absolute timing of real time events, the timing of software loops can be calculated. However, counter/timers default to run at the older 12 clocks per increment. In this way, timer-based events occur at the standard intervals with software executing at higher speed. Timers optionally can run at 4 clocks per increment to take advantage of faster processor operation.

In the SOC-4000, the MOVX instruction may take only two machine cycles or eight oscillator cycles, while the “MOV direct, direct” instruction uses three machine cycles or 12 oscillator cycles. Thus, the execution times of the two instructions differ. This is because the SOC-4000 usually uses one instruction cycle for each instruction byte.

Note that a machine cycle requires just four clocks, and provides one ALE pulse per cycle. Many instructions require only one cycle, but some require five.

Reset

The Reset signal is generated by an internal circuit in the ASIC. The signal thresholds are:

- RESET falling edge on $V_{cc} = 3.98v$
- RESET rising edge on $V_{cc} = 4.19v$

The hysteresis of the Reset signal is set so that normal operation of the internal Flash memory is guaranteed.

Interrupt Vectors

The interrupt vectors of the SOC-4000/I are shifted compared with the interrupt vectors of a standard 80C51TBO vectors by an offset of 1000H. Table 2 details the SOC-4000/I interrupt vectors:

TABLE 2: INTERRUPT VECTORS DESCRIPTION

INTERRUPT SOURCE	FLAG	VECTOR LOCATION	PRIORITY
External Interrupt 0	IE0	1003H	1 (Highest)
Timer 0 Overflow	TF0	100BH	2
External Interrupt 1	IE1	1013H	3
Timer 1 Overflow	TF1	101BH	4
Serial Port	RI + TI	1023H	5
Timer 2 Overflow	TF2 + EXF2	102BH	6

ADC CONTROLLER INTERFACE

Features

- Resolution – 20 bit
- Programmable gain –0.5, 0.75, 1, 1.5, 2
- Programmable sample rate of 5, 10 or 20 samples per second
- Voltage detection input and alarm

Controller Registers

ADC Converter (ADC) controller interface includes a semaphore register (one byte), a control register (two bytes) and a data/status register (four bytes).

The ADC controller registers are defined in Table 3.

TABLE 3:ADC CONTROLLER REGISTERS DESCRIPTION

FUNCTION	ADDRESS	BIT	REMARKS
Controller Clock Enable	C200H	7	0 =Disable 1 = Enable
Controller RESET	C406H	All	0xFF = Reset
Semaphore Register	E100H	0-1	Read/Write
Data Registers	E103H to E106H	All	Read only
Control Register	E101H to E102H	All	Write only

Semaphore Register

The semaphore register bit definitions are shown in Table 4.

TABLE 4:ADC CONTROLLER INTERFACE SEMAPHORE REGISTER BIT DEFINITIONS

ADDRESS	BIT 7 ... BIT 2	BIT 1	BIT 0 (LSB)
E100H	Don't Care	Tx Semaphore (Controller to ADC Converter)	Rx Semaphore (ADC Converter to Controller)

Control Register

The control register bit definitions and its functions and are given in Table 5 (page 24).

TABLE 5:ADC CONTROLLER INTERFACE CONTROL REGISTER BIT FUNCTIONS

BYTE #	ADDRESS	BIT	FUNCTION	SETTINGS
1	E101H	0 (LSB)	Interrupt Enable	0 = Disable 1 = Enable
		1-7	Don't Care	Don't Care
2	E102H	0-1 (bit 0 – LSB)	Sample Rate	00 = 20 Hz (default) & F.S.=100,000 Counts 01 = 10 Hz & F.S. = 200,000 Counts 10 = 10 Hz& F.S. = 100,000 Counts 11 = 5 Hz& F.S. = 200,000 Counts
		2-4	Gain	000 = 0.50 001 = 0.75 010 = 1.00 011 = 1.50 100 = 2.00
			Power Down	111 = Power Down
		5	ADC Channel	0 = Main (default) channel 1 = Secondary channel
		6	Don't Care	Don't Care
	7	Don't Care	Don't Care	

Status/Data Registers

The data register bit definitions are shown in Table 6. The bit functions are described in Table 7.

TABLE 6:ADC CONTROLLER INTERFACE DATA REGISTER BIT DEFINITIONS

BYTE #	ADDRESS	BIT 7	BIT 6	BIT 5	BIT 4	BIT 3	BIT 2	BIT 1	BIT 0 (LSB)
1	E103H	D7	D6	D5	D4	D3	D2	D1	D0
2	E104H	D15	D14	D13	D12	D11	D10	D9	D8
3	E105H	G1/PD1	G0/PD0	SR1	SR0	D19	D18	D17	D16
4	E106H	0	0	0	0	0	0	CH	G2/PD2

TABLE 7: ADC CONTROLLER INTERFACE DATA REGISTER BIT FUNCTIONS

BIT	FUNCTION
D _i	ADC Reading Data D0 = LSB D19 = MSB
SR _i	Sample Rate
G _i /PD _i	Gain/Power Down
CH	Active ADC Channel

Operation

Initialization:

To enable the ADC controller interface:

1. Enable the ADC controller interface clock source in Clock Enable register C200H:
Set C200H, Bit 7 to 1.
2. Reset the ADC controller interface:
Write FF to register C406H.
3. Set the Configuration registers (CFR) address for ADC controller interface function:
CFR address C10CH = 1FH.
4. Enable interrupt:
Set E101H, Bit 0 to 1.
5. Check the semaphore byte at address E100H.
If Receive semaphore bit at E100H is Ready (Bit 0 = 0), signaling the CPU that the ADC controller can receive data, the CPU performs the following operations:
 - a. Sets the Transmit semaphore bit at E100H to **Busy** (Bit 1 = 1) to prevent transmission of data from the ADC controller.
 - b. Programs the control register **E101–E102H** of the ADC controller to initialize controller operation.

Normal operation:

6. After the ADC controller has been initialized, the following operations are performed:
 - c. The CPU resets the Transmit semaphore bit at E100H to **Ready** (Bit 1 = 0) to signal the ADC controller that it can now transmit data.
 - d. The ADC controller sets the Receive semaphore bit at E100H to **Busy** (Bit 0 = 1) to prevent further data transmission to the controller.
 - e. The ADC controller sends ADC converter data to data registers at **E103H** to **E106H**.
7. After sending the data of registers **E103H** to **E106H**, the ADC controller resets the Receive semaphore bit at E100H to **Ready** (Bit 0 = 0), signaling the CPU that the controller can now receive new data.

One ADC controller operation cycle is now complete.

Steps 6 through 7 are repeated cyclically.

The ADC internal counts output is dependent upon the input signal, the gain and the operation mode setting. Table 5 defines the relation between the internal counts output of the zero signal input of the full-scale signal and the ADC settings.

TABLE 8:ADC OUTPUT COUNTS Vs. ADC SETTINGS

GAIN	SAMPLE RATE * (HZ)	ADC RESOLUTION MODE * (IN COUNTS)	ADC OUTPUT AT ZERO SIGNAL INPUT (COUNTS)	MAXIMUM FULL-SCALE INPUT (MILLI-VOLTS)	ADC OUTPUT (COUNTS)
0.5	20	103,000	153,200	20	256,200
	10	103,000	153,200	20	256,200
	10	206,000	306,400	20	512,400
	5	206,000	306,400	20	512,400
0.75	20	103,000	153,200	15	256,200
	10	103,000	153,200	15	256,200
	10	206,000	306,400	15	512,400
	5	206,000	306,400	10	512,400
1.0	20	103,000	153,200	10	256,200
	10	103,000	153,200	10	256,200
	10	206,000	306,400	10	512,400
	5	206,000	306,400	10	512,400
1.5	20	103,000	153,200	6.6	256,200
	10	103,000	153,200	6.6	256,200
	10	206,000	306,400	6.6	512,400
	5	206,000	306,400	6.6	512,400
2.0	20	103,000	153,200	5	256,200
	10	103,000	153,200	5	256,200
	10	206,000	306,400	5	512,400
	5	206,000	306,400	5	512,400

* ADC Resolution mode is defined in Table 5, Register E102H, bits 0-1 – Sample Rate.

KEYBOARD CONTROLLER

Features

- Supports up to 128 keys (8×16)
- Programmable anti-bounce mechanism (4-18 ms)
- Automatic key matrix scanning
- Automatically detects excessively long or constant key depression
- When Interrupt mode enabled, generates an interrupt when any key is pressed or released

Functional Description

Keyboard Controller Matrix Configuration

The keyboard matrix configuration showing the 8 × 16 matrix is given in Figure 11. The key code values at each junction are in hexadecimal.

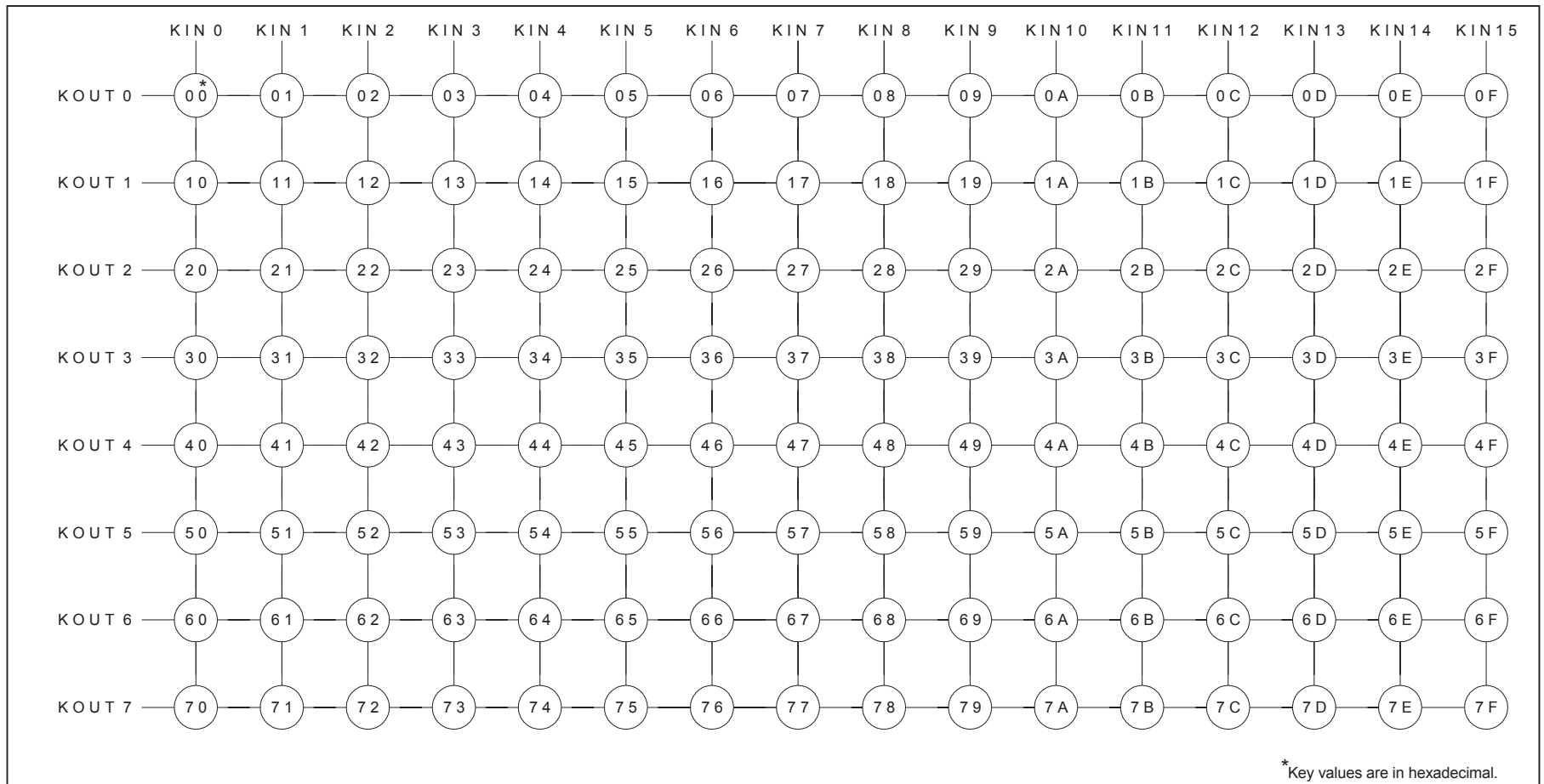


FIGURE 11:KEYBOARD MATRIX CONFIGURATION

Controller Registers

Keyboard controller interface includes a control register (one byte) and a data/status register (two bytes).

The Keyboard controller registers are defined in Table 9.

TABLE 9:KEYBOARD CONTROLLER REGISTERS DESCRIPTION

FUNCTION	ADDRESS	BIT	REMARKS
Controller Clock Enable	C200H	2	0= Disable 1= Enable
Controller RESET	C400H	All	0xFF = Reset
Data Registers	F100H to F101H	All	Read only
Control Register	F100H	All	Write only

Registers Description

Control Register

The keyboard control register bit definitions, functions and settings are displayed in Table 10.

TABLE 10:KEYBOARD CONTROLLER CONTROL REGISTER BIT FUNCTIONS

ADDRESS	BIT	FUNCTION	SETTINGS
F100H	0-2 (0-LSB)	Anti-Bounce Timeout	000 = 4 ms 001 = 6 ms 010 = 8 ms 011 = 10 ms 100 = 12 ms 101 = 14 ms 110 = 16 ms 111 = 18 ms
	3	Interrupt Enable/Disable	0 = Enable 1 = Disable (default)
	4-7	Don't Care	Don't Care

Data Registers

Keyboard data is stored in two 8-bit registers.

The data register bit definitions are shown in Table 11

NOTE: When Control Register Address **F101H**, bit 7 is set to 1 (Released), key-code value bits 0 to 6 in address **F101H** are meaningless.

TABLE 11:KEYBOARD CONTROLLER DATA REGISTER BIT DEFINITIONS

BYTE #	ADDRESS	BIT 7	BIT 6	BIT 5	BIT 4	BIT 3	BIT 2	BIT 1	BIT 0 (LSB)
1	F100H	X	X	X	X	X	X	X	Key Error Flag 0 = Legal 1 = Error
2	F101H	Release Sign 0 = Pressed 1 = Released	D6*	D5*	D4*	D3*	D2*	D1*	D0*

* Key Code

Operation

At power on, the keyboard controller is reset and the scanning rate is set to 10 μ s.

Initialization:

To enable the keyboard controller:

1. Enable the keyboard controller clock source in Clock Enable register **C200H**:
Set C200H, Bit 2 to 1.
2. Reset the keyboard controller:
Write **FF** to register **C400H**.
3. Check CFR address for keyboard controller function:
CFR addresses **C10DH**, **C10EH**, **C10FH** = **FFH** (Table 29, page 64).
This results in the following operations:
 - Enables keyboard output pins (**1 to 5** and **82 to 84**) (Table 29; page 64; Table 1, page 9)
 - Enables keyboard input pins (**7 to 14** and **74 to 81**) (Table 29; page 64, Table 1, page 9)

NOTE: If less than 128 keys are required, some of the pins may be allocated for I/O operation. See .Table 29:CFR Bit Configuration (page 64) and I/O Operation (page 71).

4. Enable keyboard interrupt:
Set F100H, Bit 3 to 0.
5. Set anti-bounce timeout:
Set F100H, Bits 0, 1 and 2, as shown in Table 10.

Normal Operation:

6. Read keyboard key-code value bits, as follows:
 - Read register F100H, Bit 0:
If **0**, key-code value is legal.
If **1**, key-code value is illegal (Error).
 - Read keyboard values from register F101H, bits 0 to 6:
When key pressed, values are valid.
 - Read F101H, bit 7:
If **0**, key pressed and keyboard values (bits 0 to 6) are valid.
If **1**, key released and keyboard values are meaningless.

LED/VFD SERIAL INTERFACE DISPLAY CONTROLLER

Features

- Supports up to 24 digits
- Serial interface
- Programmable control-signal polarity
- Programmable data registers
- Supports common-anode, seven-segment LED

Functional Description

The LED/VFD Serial Interface display comprises three groups of eight digits. The controller diagram showing the division of the 24-byte register into three eight-byte groups and the operation cycle is given in Figure 12.

The LED/VFD Serial Interface Display Controller timing diagram is shown in Figure 13. The clock rate is 2 MHz.

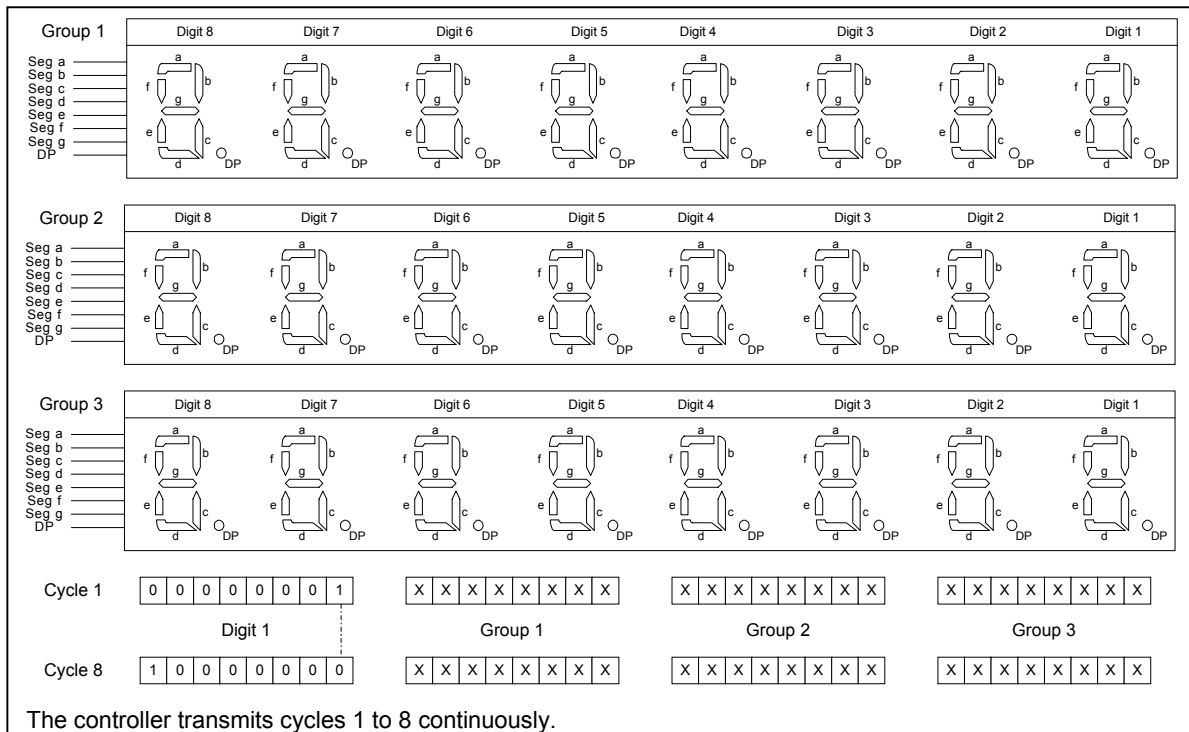


FIGURE 12:LED/VFD SERIAL INTERFACE DISPLAY BLOCK DIAGRAM

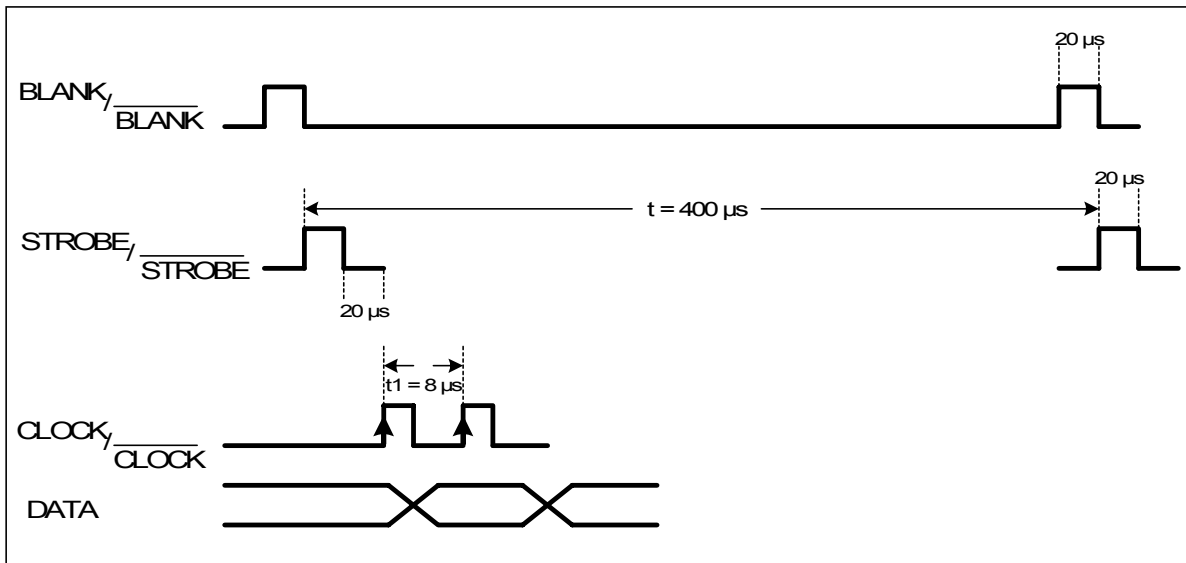


FIGURE 13: LED/VFD SERIAL INTERFACE CONTROLLER TIMING DIAGRAM

Registers Description

The LED Serial controller registers description is given in Table 12.

TABLE 12: LED SERIAL CONTROLLER DRIVER REGISTERS DESCRIPTION

FUNCTION	ADDRESS	BIT	REMARKS
Controller Clock Enable	C200H	5	Enable/Disable controller
Controller RESET	C403H	All	0xFF = Reset
Semaphore register	D201H		Read only
Data Registers			
Group 1	D201H to D208H		Write Only
Group 2	D209H to D210H		Write Only
Group 3	D211H to D218H		Write Only
Control Register	D200H		Read/Write

LED data is stored in a 24-byte × 8-bit static display RAM. The data registers are divided into three groups, each group containing eight bytes with the segment data for eight digits. Thus, the LED display can be formatted to display eight, 16 or 24 digits.

The display RAM has one Read/Write control register containing the Command byte and a Read-only semaphore byte that informs the system if the display is Busy or Ready to initiate writing of LED data. The semaphore byte address also serves as first address of the Write-only data register.

The trigger for sending the data out to the display serial interface is programming the control register at address D200H. As soon as the controller starts to send data, it sets the semaphore byte to **FFH**, indicating that it is busy.

When the controller has finished data output, it resets the semaphore byte to **0**, indicating that it is available for a new operation.

Control Register

The definitions and functions of the control-register Command-byte bits are displayed in Table 13.

TABLE 13:LED/VFD SERIAL INTERFACE DISPLAY CONTROL REGISTER BIT FUNCTIONS

ADDRESS	BIT	NAME	FUNCTION	SETTINGS
D200H	0 (LSB)	C	Command bit	0 = Command Only 1 = Command + Data
	1	X	N/A	Don't Care
	2	Blank Polarity	Sets the Blank polarity.	0 = Negative Logic 1 = Positive Logic
	3	Strobe Polarity	Sets the Strobe polarity.	0 = Negative Logic 1 = Positive Logic
	4	Clock Polarity	Sets the Clock polarity.	0 = Negative Logic 1 = Positive Logic
	5	E	Enables and disables the display.	0 = Disable Display 1 = Enable Display
	6	Block	Opens communication or blocks the hardware communication lines.	0 = Close communication 1 = Open communication
	7	N/A	N/A	Don't Care

Semaphore Register

The semaphore byte is located at address **D201H**, which is the first address of the Write-only data register. This address is Read-only for the semaphore byte. The semaphore byte bit definitions are identical. The settings are:

- Controller is **Busy**: Bits 0 to 7 set to **1 (FFH)**.
- Controller is **Ready**: Bits 0 to 7 set to **0 (00H)**.

Data Registers

The display data is stored in a 24-byte × 8-bit XDATA area.

The data register bit definitions for a 21-digit display are shown in

Table 14. The registers are Write-only.

TABLE 14: LED/VFD SERIAL INTERFACE DISPLAY DATA REGISTER BIT DEFINITIONS

GROUP #	BYTE #	ADDRESS	BIT 7	BIT 6	BIT 5	BIT 4	BIT 3	BIT 2	BIT 1	BIT 0 (LSB)
1	1	D201H	DP	g	f	e	d	c	b	a
	2	D202H	DP	g	f	e	d	c	b	a
	3	D203H	DP	g	f	e	d	c	b	a
	4	D204H	DP	g	f	e	d	c	b	a
	5	D205H	DP	g	f	e	d	c	b	a
	6	D206H	DP	g	f	e	d	c	b	a
	7	D207H	DP	g	f	e	d	c	b	a
	8	D208H	DP	g	f	e	d	c	b	a
2	9 to 16	D209H to D210H	DP	g	f	e	d	c	b	a
3	17 to 24	D211H to D218H	DP	g	f	e	d	c	b	a

Operation

At power-on or reset the LED/VFD Serial Interface display controller is disabled.

Initialization:

To enable the LED/VFD Serial Interface display controller:

1. Enable the controller clock source in Clock Enable register **C200H**:
Set C200H, Bit 5 to **1**.
2. Reset the controller:
Write **FF** to register **C403H**.
3. Check CFR address for LED/VFD Serial Interface display controller function:
CFR address **C101H = AA** (Table 29, on page 64).

This results in the following operations:

Enables serial controller output pins (**58 to 61**) (Table 29, on page 64).

Normal Operation:

4. Check semaphore byte at address D201H. If semaphore byte is Ready (Bits 0 to 7 set to **0**), write data to Data register addresses **D201H to D218H**.
5. Set Write command at the controller Control register address D200H.

Repeat steps 4 and 5 for new data.

PRINTER SERIAL INTERFACE CONTROLLER

Features

- Supports paper and labels.
- Up to 448 Dots/line.
- Up to 100 mm/s printing speed.
- Power voltage failure protection.
- Auxiliary motor controller (rewinder).
- Head temperature sensor reading support using ADC 2nd channel.

Functional Description

The printer head is supported by the serial data and serial clock (pins 44/45). The frequency of the clock can be changed. The dot printer energy may be controlled by up to six strobe lines (STROBE1 – STROBE6). Printer motor and sensors support – see “Strobe Controller” (page 45) and “Interfacing the Printer Opto-Sensors” (page 51).

NOTE: *The strobe lines also referred to as “Output Enabled (OE)” or “Stretcher lines (STR)”.*

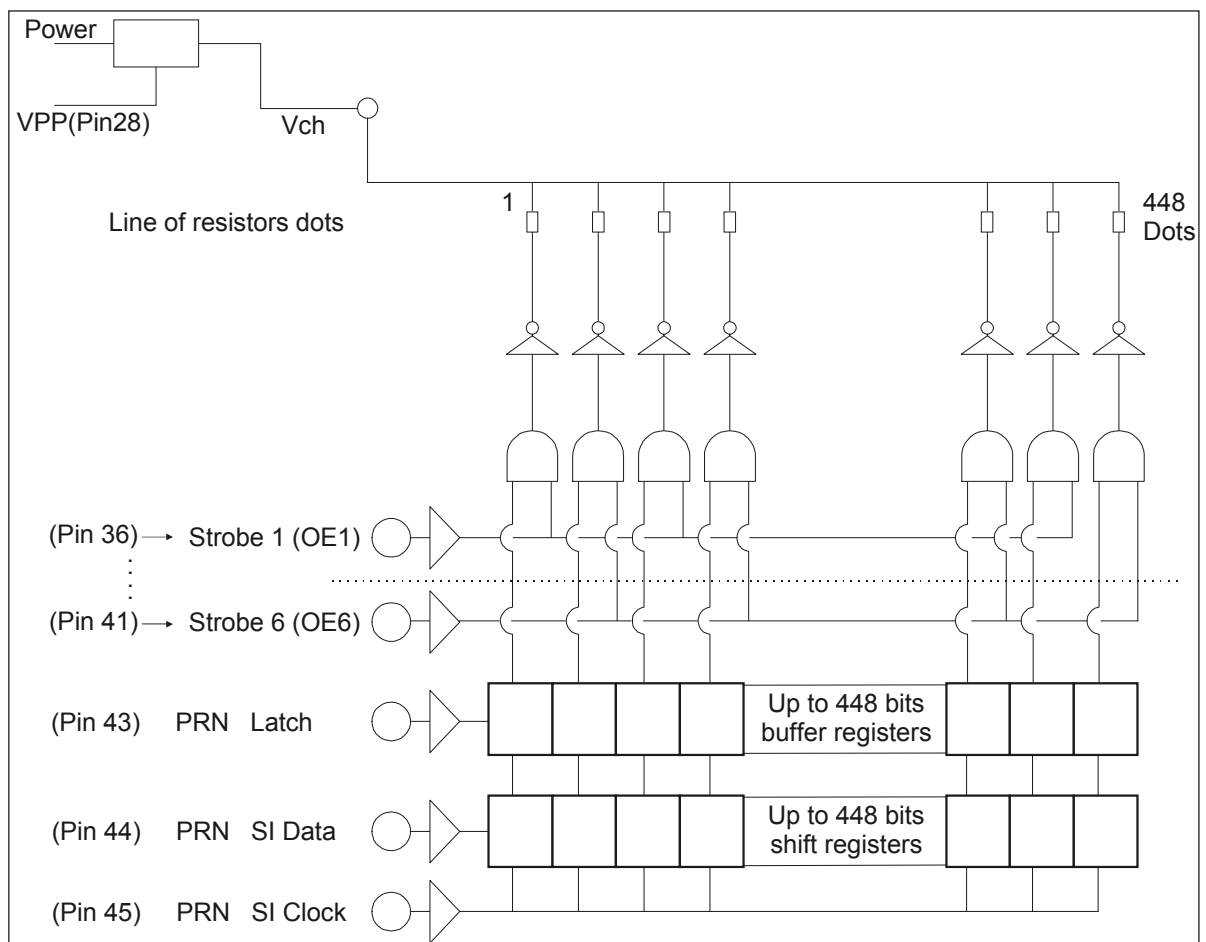


FIGURE 14:PRINTER INTERFACE BLOCK DIAGRAM

Registers Description

The Printer interface controller registers description is given in Table 15.

TABLE 15: PRINTER INTERFACE CONTROLLER REGISTERS DESCRIPTION

COMMAND	ADDRESS	BIT	FUNCTION
Controller Clock Enable	C200H	6	0-Disable 1-Enable
Controller Reset	C405H		OxFF=Reset
Semaphore Register	D801H	All	Read only
Data Registers	D801H to D838H		Write Only
Control Register	D800H		Read/Write

Semaphore Register

The semaphore byte is located at address **D801H**. The semaphore byte bit definitions are identical. The settings are:

- Controller is **Busy**: Bits 0 to 7 set to **1 (FFH)**.
- Controller is **Ready**: Bits 0 to 7 set to **0 (00H)**.

Control Register

The control register bit definitions and functions are given in Table 16.

TABLE 16: PRINTER INTERFACE CONTROLLER CONTROL REGISTER BIT FUNCTIONS

ADDRESS	BIT	NAME	FUNCTION	SETTINGS
D800H	0 (LSB)	CLK	Sets the Clock Polarity	0 = Negative Logic 1 = Positive Logic
	1	T0	Sets the Data Rate	0 0 = 1 MHz 0 1 = 500 KHz 1 0 = 250 KHz 1 1 = 31.75 KHz
	2	T1		
	3	L0	Sets the Data Length	0 0 0 0 = 200 bits 0 0 0 1 = 208 bits 0 0 1 0 = 216 bits 0 0 1 1 = 224 bits ... 1 1 1 0 = 440 bits 1 1 1 1 = 448 bits
	4	L1		
	5	L2		
	6	L3		
	7	L4		

Data Registers

Data length is variable between 25 bytes (200 bits) and 56 bytes (448 bits), according to the control register setting (L0 – L4).

The data register bit definitions are shown in Figure 28. The registers are Write-only.

The data is transmitted to the printer head serially, in the following order:

- a. First byte – data register D801H.
- b. In each data register the MSB (Bit 7) is the **first bit transmitted** to the printer.

TABLE 17: PRINTER INTERFACE CONTROLLER DATA REGISTER BIT DEFINITIONS

BYTE #	ADDRESS	BIT 7	BIT 6	BIT 5	BIT 4	BIT 3	BIT 2	BIT 1	BIT 0 (LSB)
1	D801H	b7	b6	b5	b4	b3	b2	b1	b0
2	D802H	b7	b6	b5	b4	b3	b2	b1	b0
3	D803H	b7	b6	b5	b4	b3	b2	b1	b0
4	D804H	b7	b6	b5	b4	b3	b2	b1	b0
5	D805H	b7	b6	b5	b4	b3	b2	b1	b0
6	D806H	b7	b6	b5	b4	b3	b2	b1	b0
7	D807H	b7	b6	b5	b4	b3	b2	b1	b0
8	D808H	b7	b6	b5	b4	b3	b2	b1	b0
9	D809H	b7	b6	b5	b4	b3	b2	b1	b0
10	D80AH	b7	b6	b5	b4	b3	b2	b1	b0
11	D80BH	b7	b6	b5	b4	b3	b2	b1	b0
12	D80CH	b7	b6	b5	b4	b3	b2	b1	b0
13	D80DH	b7	b6	b5	b4	b3	b2	b1	b0
14	D80EH	b7	b6	b5	b4	b3	b2	b1	b0
15	D80FH	b7	b6	b5	b4	b3	b2	b1	b0
16	D810H	b7	b6	b5	b4	b3	b2	b1	b0
17	D811H	b7	b6	b5	b4	b3	b2	b1	b0
18	D812H	b7	b6	b5	b4	b3	b2	b1	b0
19	D813H	b7	b6	b5	b4	b3	b2	b1	b0
20	D814H	b7	b6	b5	b4	b3	b2	b1	b0
21	D815H	b7	b6	b5	b4	b3	b2	b1	b0
22	D816H	b7	b6	b5	b4	b3	b2	b1	b0
23	D817H	b7	b6	b5	b4	b3	b2	b1	b0
24	D818H	b7	b6	b5	b4	b3	b2	b1	b0
25	D819H	b7	b6	b5	b4	b3	b2	b1	b0
...
56	D838H	b7	b6	b5	b4	b3	b2	b1	b0

Operation

At power-on or reset, the Printer interface controller is disabled.

Initialization:

To enable the Printer interface controller:

1. Enable the Printer interface controller clock source in Clock Enable register **C200H**:
Set C200H, Bit 6 = **1**.
2. Reset the Printer interface controller:
Write **FF** to register **C405H**.
3. Check CFR address for Printer interface controller function:
CFR address **C107H** = **AA** (Table 29, page 64).
This results in the following operations:
 - Enables Printer interface controller output pins (**41, 43, 44, 45**)

Normal Operation:

4. Check semaphore byte at address **D801H** (page 40). If semaphore byte is Ready (Bits 0 to 7 set to **0**), write data to Data register addresses **D801H** to **D838H** (page 41).
5. Set Write command at Printer interface controller Control register address **D800H** (page 40).
6. Repeat steps 4 and 5 for new data.

The controller has one Read/Write control register containing the Command byte and a Read-only semaphore byte that informs the system if the printer is Busy or Ready to initiate writing of printer data. The semaphore byte address also serves as first address of the Write-only data register.

Data length is variable between 25 bytes (200 bits) and 56 bytes (448 bits), according to the control register setting (L0 – L4).

The trigger for sending the data out to the Printer interface is programming the control register at address **D800H**. As soon as the controller starts to send data, it sets the semaphore byte to **1**, indicating that it is busy.

When the controller has finished data output, it resets the semaphore byte to **0**, indicating that it is available for a new operation.

Printer Head Data Interface Operation

The data is transmitted to the printer head using synchronous serial interface. The SOC4000 hardware provides the PRN SI CLOCK (Pin #45) and PRN SI Data (Pin #44) signals. After transmitting the data to the printer the printer driver asserts the Latch signal (pin #43) to latch the data into the head registers. When ready for printing the software printer driver should assert the Strobe signal(s) (Strobe1 to Strobe6, pins #36-41) to enable the output of the data to the thermal dots. The Serial out line and the Data Out lines are not used while operating with the SOC4000 printer driver.

Figure 15 describe the timing diagram for the serial head operation. The timing requirements should be set according to the printer specification.

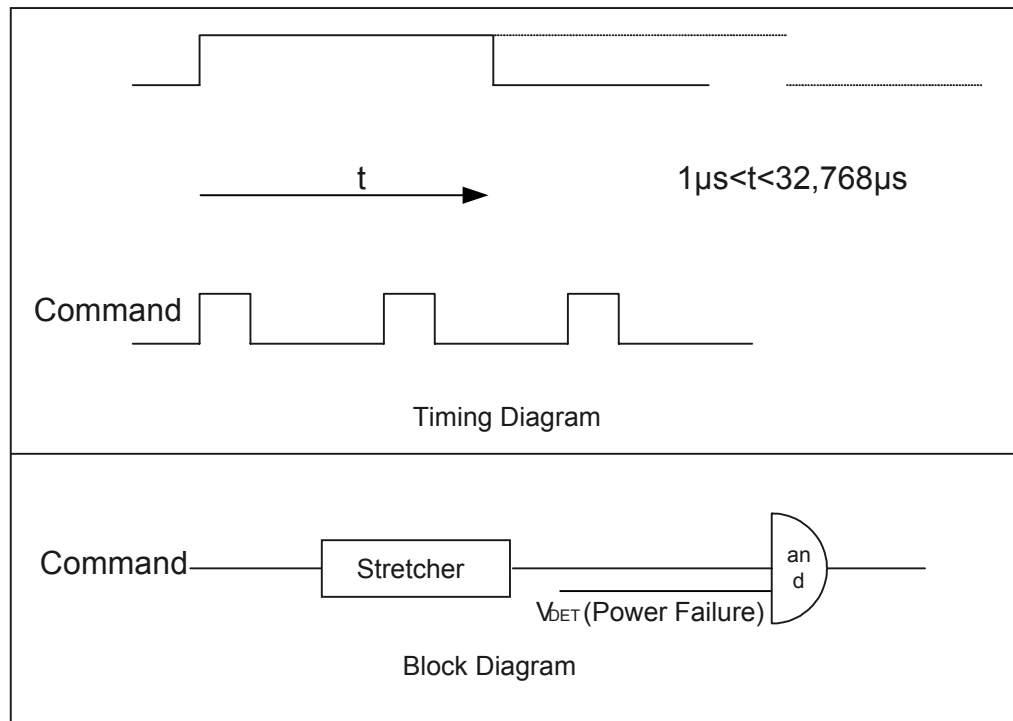


FIGURE 15: SERIAL HEAD TIMING DIAGRAM

STROBE CONTROLLER

Features

- Comprised of 8 signal lines
- Programmable Pulse length (1 to 32,768 μs)
- Positive or negative pulse polarity

Functional Description

- Printer Head Strobe (OE) Stretcher (Pins 36-41): enable segmentation of the printer head into groups of dots (up to 6) to limit current peaks.
- Auxiliary Motor Pulse Stretcher-AUXMOTOR (Pin 29): controlling the auxiliary motor operation (label printing).
- Printer Power Stretcher-VPP (Pin 28): control the printer head power.

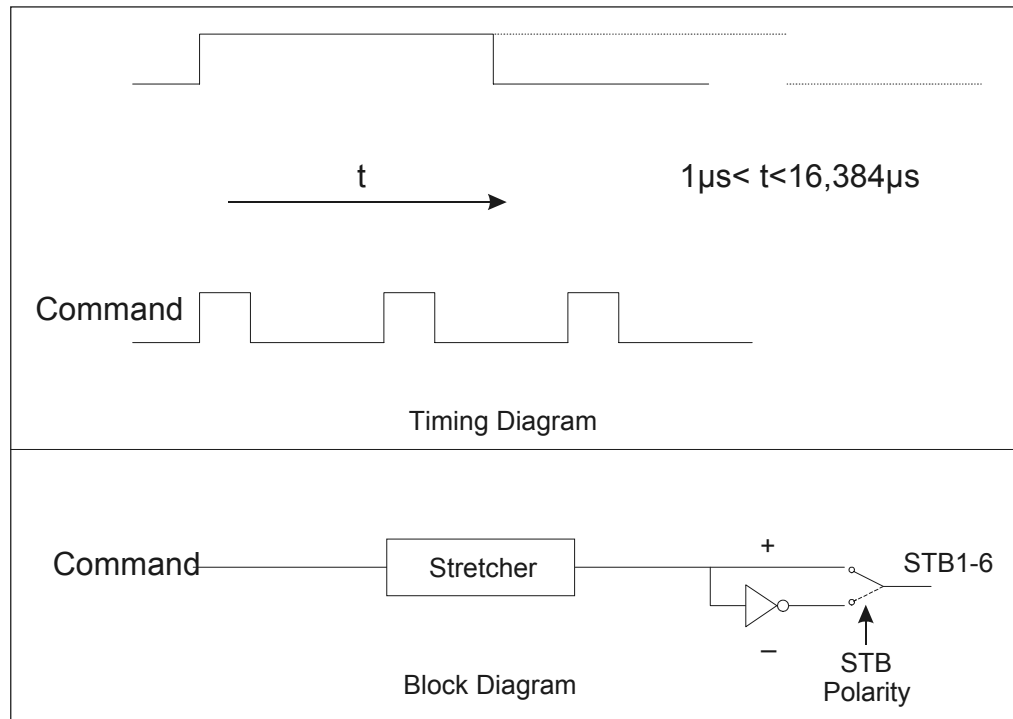


FIGURE 16: PRINTER STROBE STRETCHER

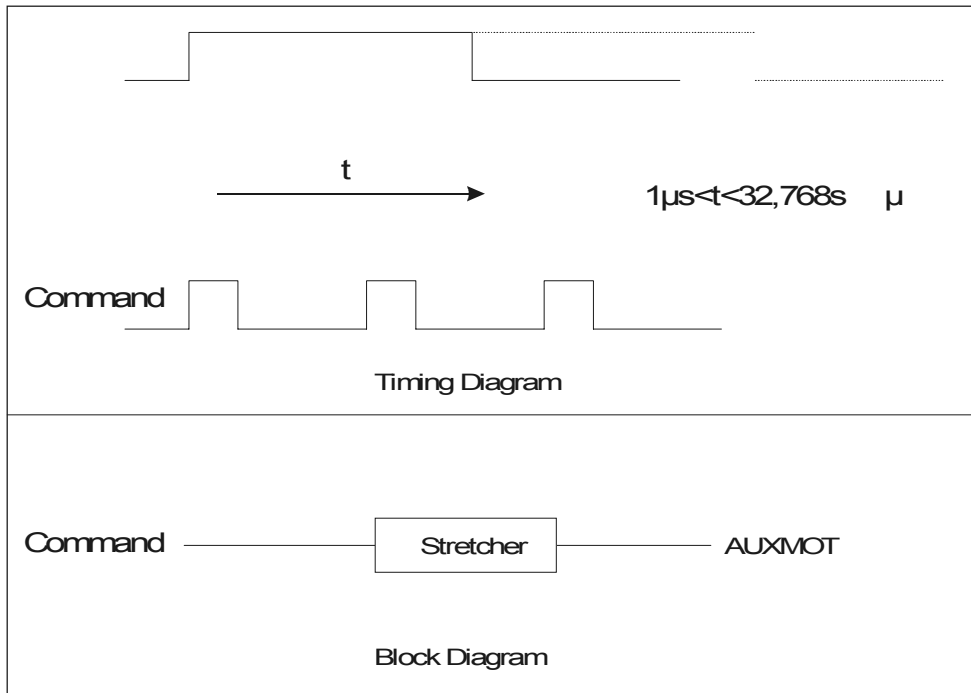


FIGURE 17: AUXILIARY MOTOR (AUXMOTOR) PULSE STRETCHER (PIN 29)

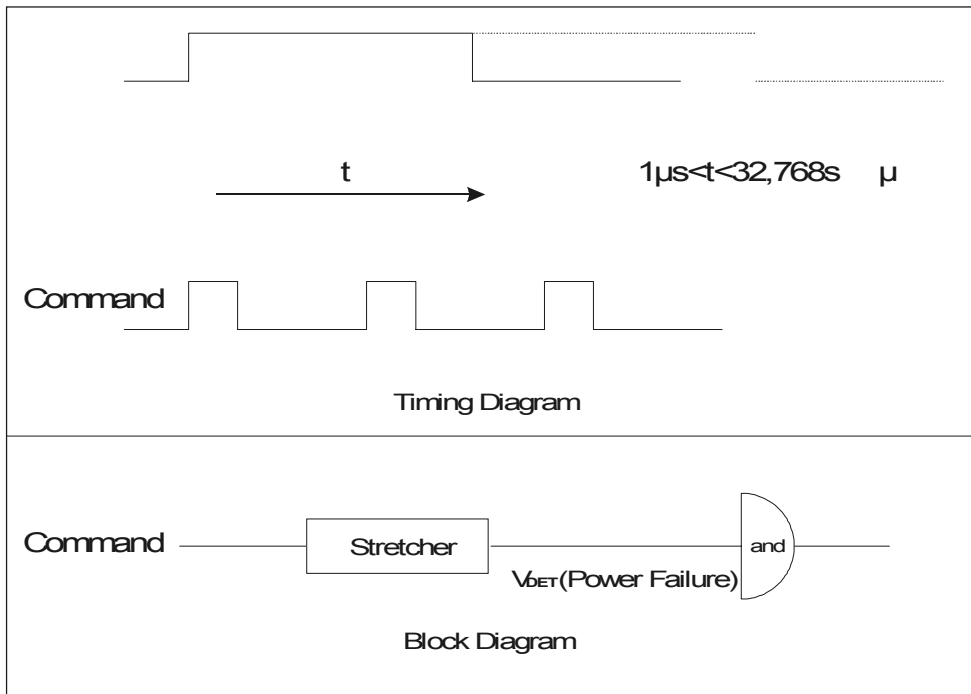


FIGURE 18: PRINTER POWER (VPP) PULSE STRETCHER (PIN 28)

Register Description

The Stretcher controller registers description is given in Table 18.

TABLE 18: STRETCHER CONTROLLER REGISTERS DESCRIPTION

FUNCTION	ADDRESS	REMARKS
Stretcher Clock Enable Register	C201H	Enable/Disable Stretcher operation
Reset Registers	C407H to C40EH	Reset Stretcher
Trigger Registers	E210H to E217H	Trigger Stretcher operation
Data Registers	E200H to E20FH	Pulse Length Register

Strobe Clock Enable Control Register

The clock register Command-byte bit definitions and functions are given in Table 19.

TABLE 19: STROBE CLOCK ENABLE CONTROL REGISTER BIT FUNCTIONS

ADDRESS	BIT	NAME	SETTINGS
C201H	0 (LSB)	Auxmot	0 = Disable 1 = Enable
	1	VPP	
	2	STROBE1	
	3	STROBE2	
	4	STROBE3	
	5	STROBE4	
	6	STROBE5	
	7	STROBE6	

Trigger Registers

TABLE 20: TRIGGER REGISTER DEFINITIONS

STRETCHER NAME	ADDRESS	FUNCTION	SETTINGS
AUXMOT	E210H	Trigger Auxmot Stretcher	FF=Trigger operation
VPP (Printer Head)	E211H	Trigger VPP Stretcher	FF=Trigger operation
STROBE1 (Head group 1)	E212H	Trigger STROBE1	FF=Trigger operation
STROBE2 (Head group 2)	E213H	Trigger STROBE2	FF=Trigger operation
STROBE3 (Head group 3)	E214H	Trigger STROBE3	FF=Trigger operation
STROBE4 (Head group 4)	E215H	Trigger STROBE4	FF=Trigger operation
STROBE5 (Head group 5)	E216H	Trigger STROBE5	FF=Trigger operation
STROBE6 (Head group 6)	E217H	Trigger STROBE6	FF=Trigger operation

Data Registers

The data register bit definitions are shown in Table 21. The registers are Write-only.

TABLE 21: STRETCHER CONTROLLER DATA REGISTER BIT DEFINITIONS

CONTROLLER	ADDRESS	BIT 7	BIT 6	BIT 5	BIT 4	BIT 3	BIT 2	BIT 1	BIT 0 (LSB)
Auxmot (Label Paper Rewind)	E200H	L7	L6	L5	L4	L3	L2	L1	L0
	E201H	OE	L14	L13	L12	L11	L10	L9	L8
VPP (Printer head)	E202H	L7	L6	L5	L4	L3	L2	L1	L0
	E203H	OE	L14	L13	L12	L11	L10	L9	L8
STROBE1 (Head group 1)	E204H	L7	L6	L5	L4	L3	L2	L1	L0
	E205H	OE	Pol	L13	L12	L11	L10	L9	L8
STROBE2 (Head group 2)	E206H	L7	L6	L5	L4	L3	L2	L1	L0
	E207H	OE	Pol	L13	L12	L11	L10	L9	L8
STROBE3 (Head group 3)	E208H	L7	L6	L5	L4	L3	L2	L1	L0
	E209H	OE	Pol	L13	L12	L11	L10	L9	L8
STROBE4 (Head group 4)	E20AH	L7	L6	L5	L4	L3	L2	L1	L0
	E20BH	OE	Pol	L13	L12	L11	L10	L9	L8
STROBE5 (Head group 5)	E20CH	L7	L6	L5	L4	L3	L2	L1	L0
	E20DH	OE	Pol	L13	L12	L11	L10	L9	L8
STROBE6 (Head group 6)	E20EH	L7	L6	L5	L4	L3	L2	L1	L0
	E20FH	OE	Pol	L13	L12	L11	L10	L9	L8

LEGEND:

NAME	FUNCTION	VALUE
Li	Stretcher Pulse length in micro seconds	For Auxmot and VPP: maximal pulse length is 32,768 μ S. For STROBE1-6 maximal pulse length is 16,384 μ S. L _o – always LSB of pulse length.
OE	Output Enable	0 = Disabled 1 = Enabled
Pol	Pulse Polarity	0 = Positive 1 = Negative

TABLE 22: STRETCHER RESET REGISTER DEFINITIONS

CONTROLLER	ADDRESS	FUNCTION	SETTINGS
Auxmot	C407H	Reset Auxmot Stretcher	FF=Reset
VPP	C408H	Reset VPP Stretcher	FF=Reset
STROBE1	C409	Reset STROBE1 Stretcher	FF=Reset
STROBE2	C40A	Reset STROBE2 Stretcher	FF=Reset
STROBE3	C40B	Reset STROBE3 Stretcher	FF=Reset
STROBE4	C40C	Reset STROBE4 Stretcher	FF=Reset
STROBE5	C40D	Reset STROBE5 Stretcher	FF=Reset
STROBE6	C40E	Reset STROBE6 Stretcher	FF=Reset

Operation

At power-on, or reset, the Stretcher controller is disabled.

Initialization:

To enable the Stretcher controller:

1. Enable the Stretcher controller clock source in Clock Enable register C201H:
Setting the significant bit to 1 enables that Stretcher (Table 19, page 47).

Normal Operation:

2. Reset a Stretcher controller by writing **FFH** to that register's address (Table 22; page 49).
3. Set data values for the Stretcher according to the desired length (most and least significant byte).
4. Write FF command at Stretcher controller Control register addresses to trigger its operation as defined in Table 20 (page 48).
5. Repeat steps 2 to 4 for all enabled stretchers.

PRINTER MOTOR AND SENSOR INTERFACE

Printer Motor Operation

Figure 19 describes the timing diagram for driving the printer motor and the heating process timing relationship. MOTOR1 and MOTOR2 are generating the PWM signals controlling the motor currents. MOTOR3 and MOTOR4 are controlling the motor phases (A and B). MOTOR5 and MOTOR6 spare outputs available for the system designer. All the motor outputs are OUTPUT pins that are controlled by the printer software driver. The timing of these outputs should be set according to the printer head specification.

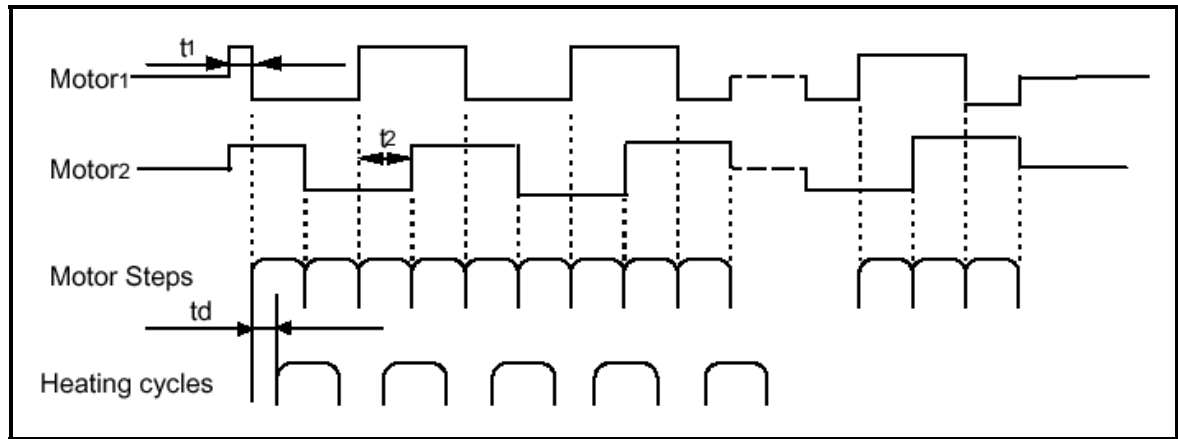


FIGURE 19:PRINTER MOTOR TIMING DIAGRAM

Interfacing the Printer Opto-Sensors

Opto-sensor characteristics have very wide tolerances. Thus, usually it cannot be connected directly to a digital logic input.

The SOC-4000 opto-sensor input pins are designed to interface opto-sensors. The input stage is a Smidt-Trigger input with a pull-up resistor to VCC. This enables direct connection of the sensor to the input and saves external hardware components.

Simplified schematics of the opto-sensor interface are shown in Figure 20.

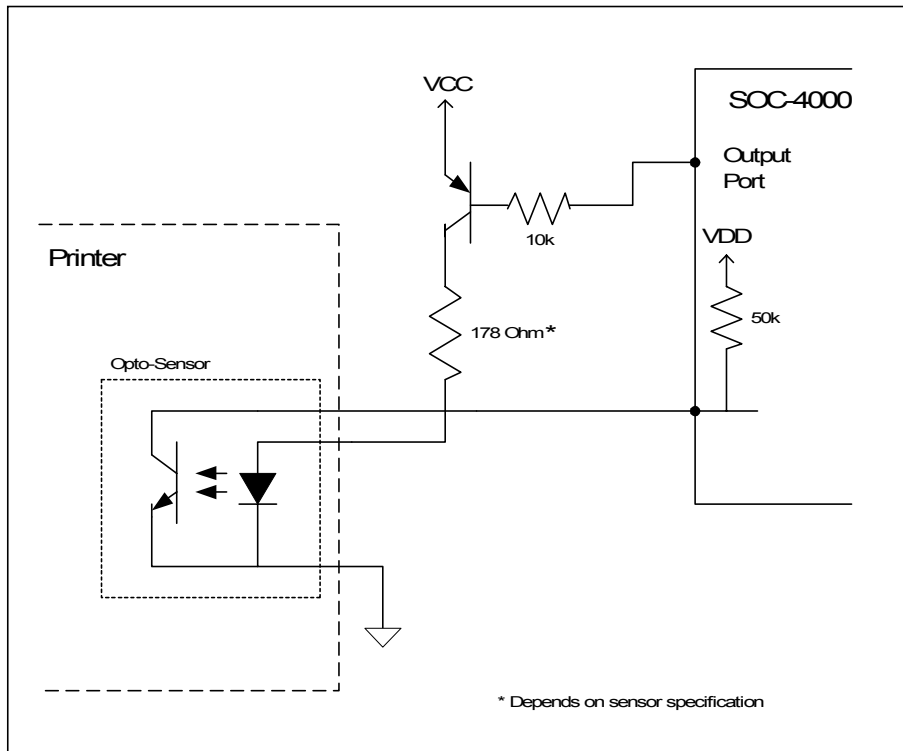


FIGURE 20:OPTO-SENSOR INTERFACE TO SOC-4000

Table 23 defines the supported sensors and switches.

TABLE 23:PRINTER SENSORS INTERFACE

SENSOR NAME	SOC-4000 PIN#	PORT ADDRESS
Label Detector	25	P3.4 (CPU)
Automatic Label removal Detector (Auto)	26	P3.5 (CPU)
Paper detector	27	P1.6 (CPU)
Printer Head Switch (P18.0)	42	F229H

To read a sensor input:

1. Write '1' to the port address.
2. Read Port value.

Implementing End Of Label detector

End of label detector may be implemented by detecting the difference in the brightness of the reflected light from the label compared to the label backing paper. Figure 21 describes a block diagram of such implementation.

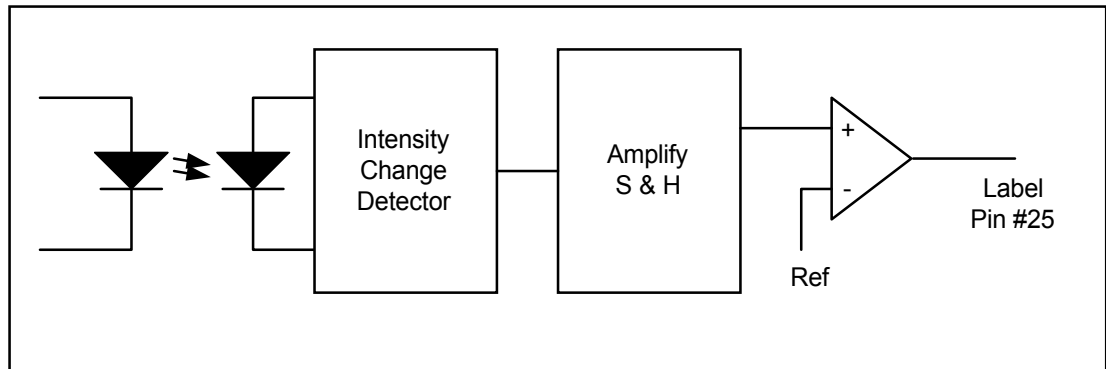


FIGURE 21:END OF LABEL DETECTOR

Implementing Label peel-off Detector:

This detector is a simple phototransistor located at the label exit. Figure 22 describes the block diagram of the implementation.

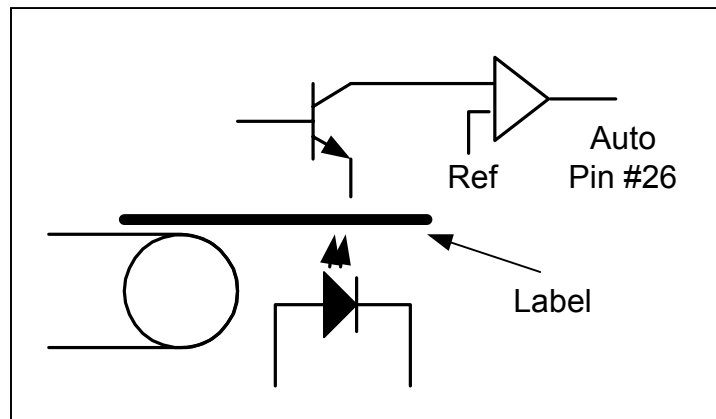


FIGURE 22:PEEL-OFF LABEL DETECTOR (AUTO)

Connecting the Printer Head Thermistor to the SOC-4000

The thermistor is connected to channel 2 of the ADC using pins 66 and 67 of the SOC-4000.

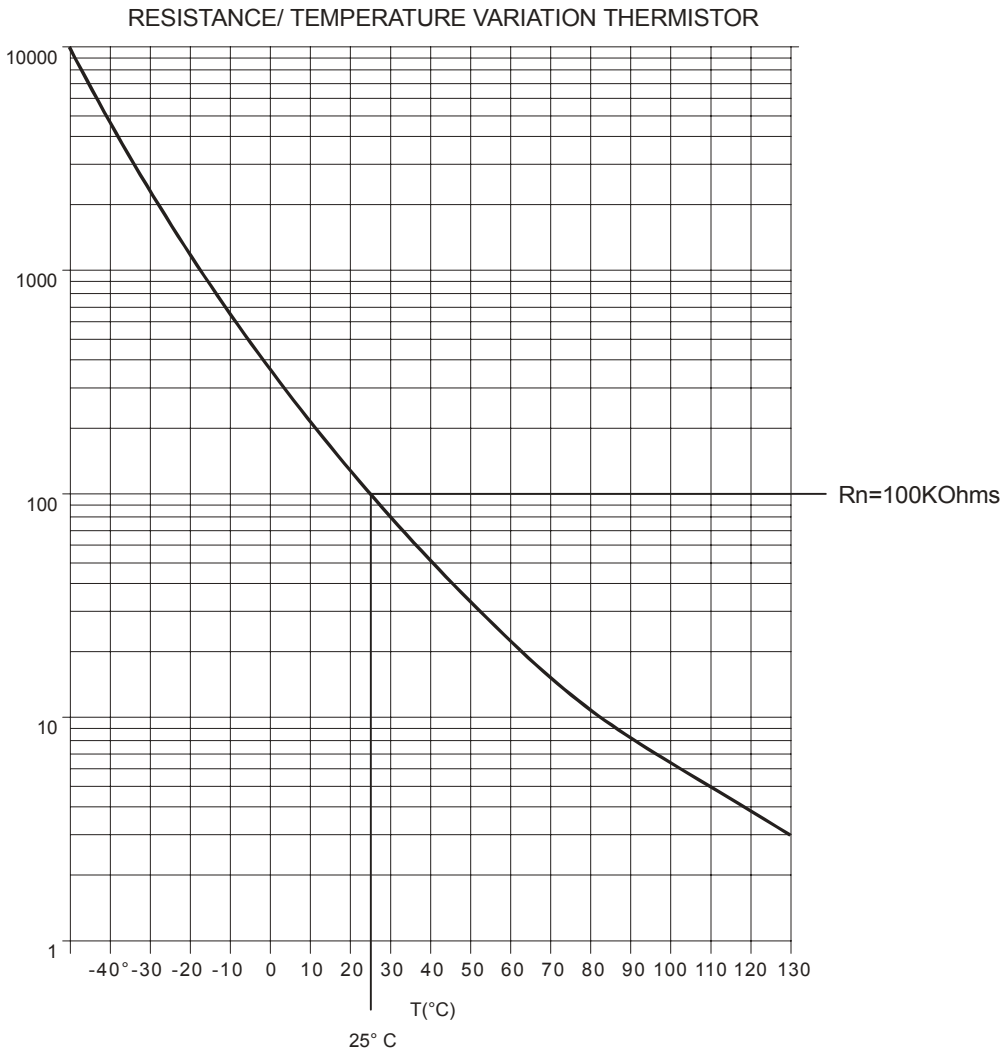


FIGURE 23:EXAMPLE OF RESISTANCE/TEMPERATURE VARIATION FOR THE THERMISTOR

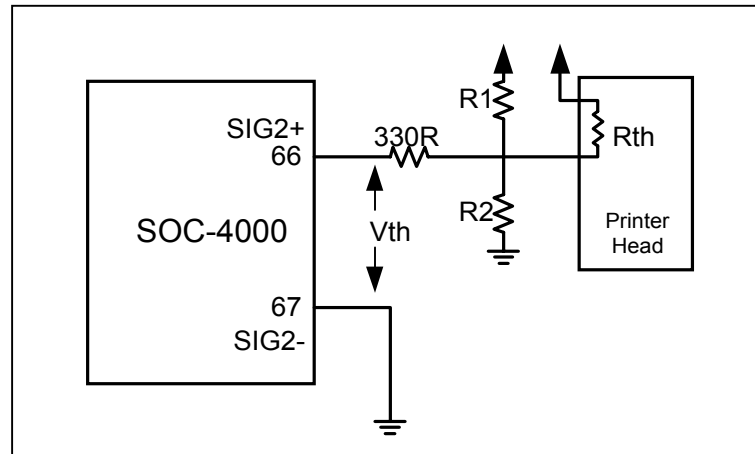


FIGURE 24: THERMISTOR SENSOR

The ADC channel 2 input is a differential input with a dynamic range of 0 – 0.8V. The pull-up and the pull-down resistor values must be chosen accordingly, to ensure that the V_{th} is always in range.

The voltage input to the ADC channel 2 will be:

$$V_{th} = \frac{V_{cc}}{\left(\frac{R1 * R_{th}}{R1 + R_{th}} \right) + R2} * R2$$

The ADC readings may be calculated by extrapolation according to Table 24.

TABLE 24: ADC CHANNEL 2 OUTPUT RANGE

	ADC COUNTS
$V_{th}=0V$	153,200
$V_{th}=0.8V$	254,000
Full Scale Resolution	100,800

According to the thermistor used, temperature range, $R1$ and $R2$, one may calculate (or a look-up table) the expected ADC readings at any temperature.

PROGRAMMABLE FREQUENCY CONTROLLER

Features

- Programmable CPU clock frequency: 16, 8, 4, 2, 1 or 0.5 MHz
- Driven by a 16-MHz resonator or crystal oscillator

Functions

- Generates independent clocks for the CPU and controllers (A/D converter, display, keyboard, watchdog timer, etc.)

Clock Generator Block Diagram

The clock generator block diagram is presented in Figure 25.

Functional Description

Dividing the 16-MHz frequency source according to the control register setting generates the CPU clock frequency.

The CPU clock can be set to 16, 8, 4, 2, 1 or 0.5 MHz.

Switching CPU frequency:

- To switch from the 16-MHz frequency to any other frequency, program the frequency-controller control register as shown in Table 25.
- To switch from any frequency (other than 16 MHz) to another frequency, first switch to 16 MHz and then switch to the desired frequency.

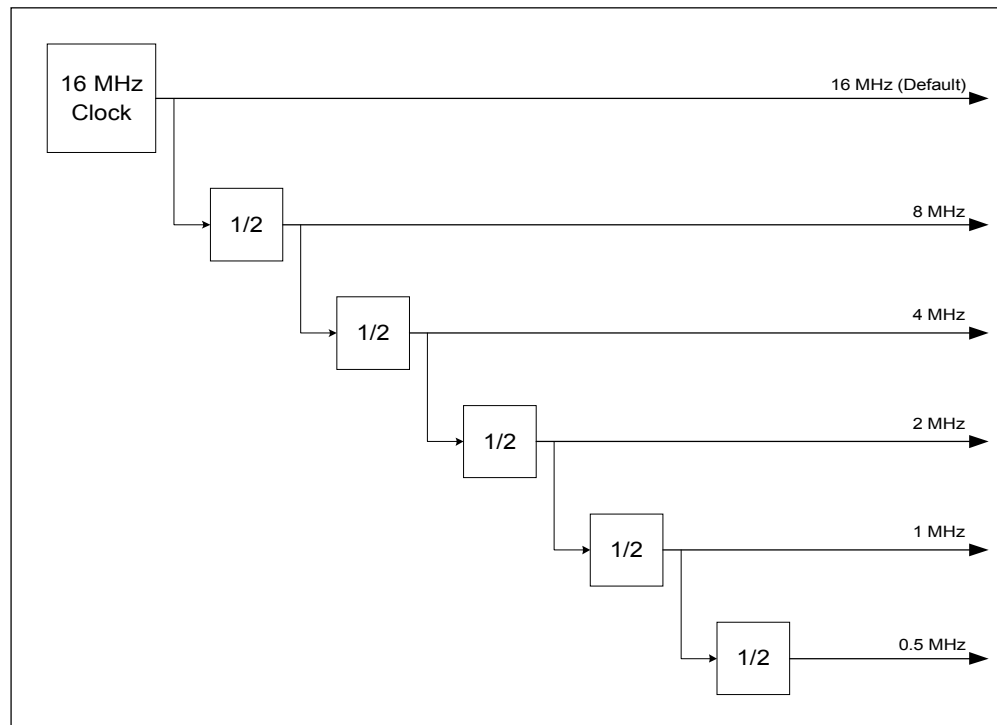


FIGURE 25: CLOCK GENERATOR BLOCK DIAGRAM

Control Registers Description

The clock frequency is programmed from a single 8-bit control register.

The address of the clock frequency control register is **E800H**.

The bit settings at **E800H** that define the clock frequency are given in Table 25.

TABLE 25: CLOCK FREQUENCY CONTROL REGISTER BIT SETTINGS

ADDRESS	BIT 7	BIT 6	BIT 5	BIT 4	BIT 3	BIT 2	BIT 1	BIT 0 (LSB)	CPU CLOCK
E800H	Don't Care					0	0	0	16 MHz
	Don't Care					0	0	1	8 MHz
	Don't Care					0	1	0	4 MHz
	Don't Care					0	1	1	2 MHz
	Don't Care					1	0	0	1 MHz
	Don't Care					1	0	1	0.5 MHz

Operation

At Power on or Reset, the CPU frequency clock output is set to 16 MHz.

The clocks for the controllers is fixed and derived directly from the external frequency source.

The Frequency controller setting derives the CPU clock, as defined in Table 25.

WATCHDOG TIMER

Functions

- Monitor the correct operation of the CPU

Functional Description

The operating parameters of the watchdog timer are presented in Table 26.

TABLE 26:WATCHDOG TIMER OPERATING PARAMETERS

PARAMETER	VALUE
Time Constant	1 second
Trigger	By the control register (WDI)
Enable/Disable	By the control register (ENWD)
Power Up Mode	Disabled

Control Registers Description

Setting the Clock Enable register (C200H), bit 3 to **1** enables the watchdog timer.

Setting the Clock Enable register (C200H), bit 3 to **0** disables the watchdog timer.

Writing **FFH** to address F800H re-triggers the watchdog.

Operation

The application software controls the watchdog operation. It is automatically disabled in the Development System (ICE) mode and after power-up or reset.

The application software should activate the watchdog as soon as it starts normal operation after power-on or reset conditions.

The watchdog timer should be periodically re-triggered during normal operation, before the timer expires. Expiration of the watchdog timer resets the CPU.

If required, disable the watchdog by disabling the watchdog timer clock input.

Table 27 describes the operation of the watchdog timer.

TABLE 27:WATCHDOG TIMER COMMAND SEQUENCE

#	COMMAND	ADDRESS	BIT	SETTING
1	Enable Watchdog	C200H	3	1
2	Retrigger Timer	F800H	-	FFH
3	Disable Watchdog	C200H	3	0

LOW VOLTAGE DETECTOR

The low voltage detector is a supervisory circuit in which the Power Fail Input (V_{det}) is compared to an internal 2.21 V reference (Figure 26). The comparator output goes low when the voltage at V_{det} is less than or equal to 2.21 V and **Bit 1** of register **E400H** equals 0. In order to enable this interrupt, set **CFR C10CH** to **1F**.

V_{det} is usually driven by an external voltage divider, which senses the unregulated DC input to the system 5V regulator. The voltage divider ratio can be chosen such that the voltage at V_{det} falls below 2.23 V several milliseconds before the +5V supply falls below 4.75V. INT0 is normally used to interrupt the microprocessor so that data can be stored in non-volatile memory before V_{CC} falls below 4.75 V and the RESET output goes low. The Power Fail Comparator output returns to High when $V_{det} > 2.27V$.

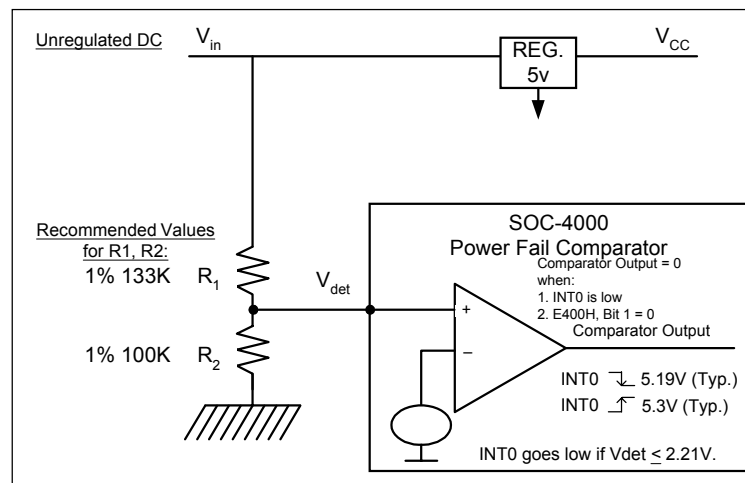


FIGURE 26: LOW VOLTAGE DETECTOR

Power Failure Interrupt Register

The address of the power-supply interrupt register is **E400H** (Read/Write).

The bit settings at **E400H** that define the power failure interrupt and flag are given in Table 28.

TABLE 28: POWER-FAILURE INTERRUPT REGISTER BIT SETTINGS

ADDRESS	BIT 7	BIT 6	BIT 5	BIT 4	BIT 3	BIT 2	BIT 1 – PFF (POWER FAIL FLAG)	BIT 0 (LSB) INTERRUPT ENABLE
E400H	Don't Care						0 = If $V_{DET} \leq V_{REF}$ 1 = Normal	0 = Enabled 1 = Disabled

Operation:

1. Enable INT0 by setting BIT 0 = 0
2. After detecting INT0, read the value of the PFF bit (Power Fail Flag, BIT 1):
 PFF = 1 :– Normal ADC Interrupt
 PFF = 0 :– Low Voltage Detected event

CONFIGURATION REGISTERS - CFR

Programming the CFR registers in the CPU sets the SOC-4000 pin functions. The CFR registers include configuration registers that provide the interface between the CPU and the other on-chip peripherals, such as the keyboard, LED/VFD, and LCD controllers and input/output ports. Each peripheral operates as designated in the CFR registers, where each register may be programmed to perform alternative functions. The complete CFR-register bit configuration for all peripherals and input/output and corresponding PLCC-84 pins are given in Table 29.

TABLE 29:CFR BIT CONFIGURATION

(ALWAYS BIT 0-LSB)

PIN #	REG ADD.	BIT	VALUE	NOTES
61	C101H	7-6	10 = LED-SI-BLANK	SI = Serial Interface CLK = Clock
60		5-4	10 = LED-SI-STROBE	
59		3-2	10 = LED-SI-DATA	
58		1-0	10 = LED-SI-CLK	

	C102H	7-6	Don't Care		LCD Display module support
56		5-4	01 = CSLCD	10 = OUT12.2	
55		3-2	01 = A0 (WRLCD)	10 = OUT12.1	
54		1-0	01 = A1 (RDLCD)	10 = OUT12.0	

	C103H	7-6	10 = Printer Support	Must be set to AAH
		5-4	10 = Printer Support	
		3-2	10 = Printer Support	
		1-0	10 = Printer Support	

	C104H	7-6	10 = Printer Support	Must be set to AAH
		5-4	10 = Printer Support	
		3-2	10 = Printer Support	
		1-0	10 = Printer Support	

	C105H	7-6	10 = Printer Support	Must be set to AAH
		5-4	10 = Printer Support	
		3-2	10 = Printer Support	
		1-0	10 = Printer Support	

	C106H	7-6	10 = Printer Support	Must be set to AAH
		5-4	10 = Printer Support	
		3-2	10 = Printer Support	
		1-0	10 = Printer Support	

PIN #	REG ADD.	BIT	VALUE		NOTES
45	C107H	7-6	10=PRN_SI_CLK		SI – Serial Interface CLK – Clock PRN - Printer
44		5-4	10=PRN_SI_DATA		
43		3-2	10=PRN_SI_LATCH		
41		1-0	01=Strobe 6	11 = OUT P8.0	
40	C108H	7-6	10=Strobe 5	11=OUT P7.3	
39		5-4	10=Strobe 4	11=OUT P7.2	
38		3-2	10=Strobe 3	11=OUT P7.1	
37		1-0	10=Strobe 2	11=OUT P7.0	

36	C109H	7-6	10=Strobe 1	11 = OUT P6.3	
35		5-4	10 = Motor 6 (OUT P6.2)		
34		3-2	10 = Motor 5 (OUT P6.1)		
33		1-0	10 = Motor 4 (OUT 6.0)		

	C10AH	7-6	Don't care		
32		5-4	10 = Motor 3 (OUT 5.2)		
31		3-2	10 = Motor 2 (OUT 5.1)		
30		1-0	10 = Motor 1 (OUT 5.0)		

	C10BH	7	Don't care		
29		6-5	01= Aux. Motor	10 = OUT P4.3	
28		4-3	01= VPP	10 = OUT P4.2	
23		2	1 = RS485 control (OUT P4.1)		
22		1-0	01= TX2	10 = OUT P4.0	

-	C10CH	7-0	1F		Must be set to '1F'
---	-------	-----	----	--	---------------------

14	C10DH	7	0 = I/O P15.7	1= KIN0	KIN = Keyboard In I/O = Input/Output
13		6	0 = I/O P15.6	1= KIN1	
12		5	0 = I/O P15.5	1= KIN2	
11		4	0 = I/O P15.4	1= KIN3	
10		3	0 = I/O P15.3	1= KIN4	
9		2	0 = I/O P15.2	1= KIN5	
8		1	0 = I/O P15.1	1= KIN6	
7		0	0 = I/O P15.0	1= KIN7	

PIN #	REG ADD.	BIT	VALUE		NOTES
5	C10EH	7	0 = I/O P14.7	1= KOUT0	KOUT = Keyboard Out
4		6	0 = I/O P14.6	1= KOUT1	
3		5	0 = I/O P14.5	1= KOUT2	
2		4	0 = I/O P14.4	1= KOUT3	
1		3	0 = I/O P14.3	1= KOUT4	
84		2	0 = I/O P14.2	1= KOUT5	
83		1	0 = I/O P14.1	1= KOUT6	
82		0	0 = I/O P14.0	1= KOUT7	

81	C10FH	7	0 = I/O P17.7	1= KIN8	KIN = Keyboard In
80		6	0 = I/O P17.6	1= KIN9	
79		5	0 = I/O P17.5	1= KIN10	
78		4	0 = I/O P17.4	1= KIN11	
77		3	0 = I/O P17.3	1= KIN12	
76		2	0 = I/O P17.2	1= KIN13	
75		1	0 = I/O P17.1	1= KIN14	
74		0	0 = I/O P17.0	1= KIN15	

Glossary of Terms

TERM	DEFINITION
DP	Decimal Point
CLK	Clock
DIG	Digit
I.O	Input/Output
KIN	Keyboard In
KOUT	Keyboard Out
SEG	Segment
SI	Serial Interface
BP	Backplane
AUX	Auxiliary

SPECIAL FUNCTION REGISTERS (SFR)

The SOC-4000/I includes Special Function Registers (SFR) that enable the device hardware controllers and reset them. Each controller description details its specific SFR operation. This section details all the SFR registers and functions. All these registers are mapped as XDATA memory area.

Global CFR Register

Register C100H is used as a general enable/disable of pin allocation to all the hardware controllers in the SOC-4000/i. Upon power-up or reset this register is set, disabling all the hardware controllers. Writing 0x00 to the register activates the allocation of pins to hardware controller, as defined by programming the CFR registers.

TABLE 30: GLOBAL CFR REGISTER

ADDRESS	FUNCTION	REMARKS
C100H	Enable / Disable pin allocation	0x00 – Enable 0xFF - Disable

Operation

1. Upon power-up or reset, the Global CFR register is cleared, disabling all pin allocation to the hardware controllers.
2. Initialize the CFR registers according to the required hardware configuration as described in section “Configuration Registers (CFR)” (page 55).
3. Initialize the hardware controllers.
4. Enable the Global CFR Register: Write 0x00 to address C100H.

Controllers Clock Enable Registers

Registers C200H-C201H control the clock source to the hardware controllers in the SOC-4000/I. Each controller operation may be disabled by inhibiting its clock.

TABLE 31: C200H CLOCK ENABLE REGISTER

ADDRESS	BIT 7	BIT 6	BIT 5	BIT 4	BIT 3	BIT 2	BIT 1	BIT 0 (LSB)
C200H	ADC	Printer	SLED	0	WDT	KBD	0	0
C201H	STROBE6	STROBE5	STROBE4	STROBE3	STROBE2	STROBE1	VPP	AUXMOT

TABLE 32: C200H CONTROLLERS CLOCK ENABLE REGISTER BIT FUNCTIONS

BIT	NAME	TYPE	FUNCTION	SETTINGS
0 (LSB)	LCD	read/write	Enable LCD display controller clock	0 = Disable 1 = Enable
1	-	read/write	None. Always set to 0	Always 0.
2	KBD	read/write	Enable keyboard controller clock	0 = Disable 1 = Enable
3	WDT	read/write	Enable watch-dog timer clock	0 = Disable 1 = Enable
4	-	read/write	None. Always set to 0.	Always 0.
5	SLED	read/write	Enables serial LED display controller	0 = Disable 1 = Enable
6	Printer	read/write	Enable Printer Controller	0 = Disable 1 = Enable
7	ADC	read/write	Enables ADC controller clock	0 = Disable 1 = Enable

TABLE 33: C201H CONTROLLERS CLOCK ENABLE REGISTER BIT FUNCTIONS

BIT	NAME	TYPE	FUNCTION	SETTINGS
0 (LSB)	Auxmot	read/write	Enable Auxiliary Motor Stretcher	0=Disable 1=Enable
1	VPP	read/write	Enable Power to the Printer Head	0=Disable 1=Enable
2	STROBE1	read/write	Enable Strobe 1	0=Disable 1=Enable
3	STROBE2	read/write	Enable Strobe 2	0=Disable 1=Enable
4	STROBE3	read/write	Enable Strobe 3	0=Disable 1=Enable
5	STROBE4	read/write	Enable Strobe 4	0=Disable 1=Enable
6	STROBE5	read/write	Enable Strobe 5	0=Disable 1=Enable
7	STROBE6	read/write	Enable Strobe 6	0=Disable 1=Enable

Controllers RESET Registers

The SFRs listed in Table 34 provides the mechanism to reset the hardware controllers of the SOC-4000/i.

TABLE 34: CONTROLLERS RESET REGISTER

ADDRESS	TYPE	FUNCTION	SETTINGS
C400H	Write only	Keyboard controller reset	0xFF = Reset
C403H	Write only	Serial LED display controller reset	0xFF = Reset
C405H	Write only	Printer controller reset	0xFF = Reset
C407H	Write only	Auxmot Stretcher reset	0xFF = Reset
C408H	Write only	VPP Stretcher reset	0xFF = Reset
C409H	Write only	STROBE1 Strobe reset	0xFF = Reset
C40AH	Write only	STROBE2 Strobe reset	0xFF = Reset
C40BH	Write only	STROBE3 Strobe reset	0xFF = Reset
C40CH	Write only	STROBE4 Strobe reset	0xFF = Reset
C40DH	Write only	STROBE5 Strobe reset	0xFF = Reset
C40EH	Write only	STROBE5 Strobe reset	0xFF = Reset
C406H	Write only	ADC controller reset	0xFF = Reset

I/O OPERATION

I/O operation is determined by the configuration registers (CFRs). The I/O ports are composed of two groups:

1. Byte-Oriented Output Ports –

Data written to the port is byte oriented (writing **FFH** to the port will set it to HIGH, and writing **00H** to the port will set it to LOW).

2. Bit-Oriented Input/Output (I/O) Ports –

Data written to the port is byte oriented (FFH–to set the port, 00H–to reset the port). Data read from the port is bit-oriented (only the port allocated bit is set/reset).

The I/O ports groups, addresses and corresponding PLCC-84 pins are described in Table 35 and Table 36.

TABLE 35: BIT-ORIENTED I/O PORTS ADDRESSES, PIN AND BIT ASSIGNMENT

PLCC-84 PIN	I/O PORT NAME	PORT ADDRESS	BIT ASSIGNMENT								
14	I.O 15.7	F22A	0	0	0	0	0	0	0	0	x
13	I.O 15.6	F22B	0	0	0	0	0	0	0	x	0
12	I.O 15.5	F22C	0	0	0	0	0	0	x	0	0
11	I.O 15.4	F22D	0	0	0	0	x	0	0	0	0
10	I.O 15.3	F22E	0	0	0	x	0	0	0	0	0
9	I.O 15.2	F22F	0	0	x	0	0	0	0	0	0
8	I.O 15.1	F230	0	x	0	0	0	0	0	0	0
7	I.O 15.0	F231	x	0	0	0	0	0	0	0	0
5	I.O 14.7	F232	0	0	0	0	0	0	0	0	x
4	I.O 14.6	F233	0	0	0	0	0	0	0	x	0
3	I.O 14.5	F234	0	0	0	0	0	0	x	0	0
2	I.O 14.4	F235	0	0	0	0	x	0	0	0	0
1	I.O 14.3	F236	0	0	0	x	0	0	0	0	0
84	I.O 14.2	F237	0	0	x	0	0	0	0	0	0
83	I.O 14.1	F238	0	x	0	0	0	0	0	0	0
82	I.O 14.0	F239	x	0	0	0	0	0	0	0	0
81	I.O 17.7	F23A	0	0	0	0	0	0	0	0	x
80	I.O 17.6	F23B	0	0	0	0	0	0	0	x	0
79	I.O 17.5	F23C	0	0	0	0	0	0	x	0	0
78	I.O 17.4	F23D	0	0	0	0	x	0	0	0	0
77	I.O 17.3	F23E	0	0	0	x	0	0	0	0	0
76	I.O 17.2	F23F	0	0	x	0	0	0	0	0	0
75	I.O 17.1	F240	0	x	0	0	0	0	0	0	0
74	I.O 17.0	F241	x	0	0	0	0	0	0	0	0

TABLE 36: BYTE-ORIENTED OUTPUT PORTS ADDRESSES AND PIN ASSIGNMENT

PLCC-84 PIN	I/O FUNCTION	PORT ADDRESS
61	OUT 13.3	F205
60	OUT 13.2	F206
59	OUT 13.1	F207
58	OUT 13.0	F208
56	OUT 12.2	F21C
55	OUT 12.1	F21B
54	OUT 12.0	F21A
45	OUT P8.3	F216
44	OUT P8.2	F217
43	OUT P8.1	F218
42	I.O. 18.0	F229
41	OUT P8.0	F219
40	OUT P7.3	F21A
39	OUT P7.2	F21B
38	OUT P7.1	F21C
37	OUT P7.0	F21D
36	OUT P6.3	F21E
35	MOTOR6 (OUT P6.2)	F21F
34	MOTOR5 (OUT P6.1)	F220
33	MOTOR4 (OUT P6.0)	F221
32	MOTOR3 (OUT P5.2)	F222
31	MOTOR2 (OUT P5.1)	F223
30	MOTOR1 (OUT P5.0)	F224
29	OUT P4.3	F225
28	OUT P4.2	F226
23	OUT P4.1	F227
22	OUT P4.0	F228

8051-COMPATIBLE ON-CHIP PERIPHERALS

This section describes the standard 8051 peripheral devices available to the user. These functions are fully compatible with the standard 8051 CPUs and are controlled via the standard 8051 Special Function Registers (SFRs).

Parallel I/O Ports

Some of the parallel I/O ports of the 80C51TBO core are available on the SOC-4000 pins.

Most of the ports are already allocated to specific functions. However, the application design may require allocating different functions to these pins. Table 37 list the available pins, 80C51 I/O port, default function and special precaution needed when changing the function of the pin.

TABLE 37: AVAILABLE PINS ON THE 80C51 I/O PORT

PIN #	80C51 PORT	DEFAULT FUNCTION	SPECIAL PRECAUTIONS
15	P1.7	Buzzer	Port 1 is used as the code memory page register. Each port line should be handled bit-wise , without affecting P1.0-P1.3.
16	P1.5	None	Port 1 is used as the code memory page register. Each port line should be handled bit-wise , without affecting P1.0-P1.3.
17	P1.4	None	Port 1 is used as the code memory page register. Each port line should be handled bit-wise , without affecting P1.0-P1.3.
25	P3.4 / Timer 0	Label detect	
26	P3.5 / Timer 1	Label removal detector	
27	P1.6	Paper detect	Port 1 is used as the code memory page register. Each port line should be handled bit-wise , without affecting P1.0-P1.3.

The I/O ports are controlled and accessible using the 80C51TBO Special Function Registers as described in its device specification.

Timers/Counters

The 80C51 Timers/Counters external inputs are available for use on SOC-4000 pin #25 (Timer 0) and pin #26 (Timer 1). Using the timers is via the 80C51 Special Function Registers (SFRs) as described in the 80C51TBO specification.

SOC-4000 INITIALIZATION

On Power-on/Reset, the SOC-4000 performs a self-test and initializes all registers to **0 (00H)**.

The GLOBAL register **C100H** is automatically set to **80H**, to inhibit all the outputs from hardware controllers and therefore avoid damage to external hardware.

The application software should implement the following steps to initialize the ASIC:

1. Program the Configuration Registers (CFRs) to support the application hardware, as defined in Table 16 (page 2):
 - a. Set registers **C103H**, **C104H**, **C105H** and **C106H** to **AAH**.
If an LED/VFD Serial Interface Display is used, set register **C101H** to **AAH**.
If an LCD Display is used set register **C102H** to **D5**.
2. Set the other CFRs as required according to the keyboard, printer, stretchers, printer motors and sensors supported.
3. Initialize the applicable hardware controllers.
4. Enable the clock source of the controllers, using register **C200H** and **C210H**.
5. Write 00H to the GLOBAL register **C100H**.
6. Enable the Watchdog timer.

PERIPHERAL INTERFACE CONNECTIONS

Load Cell Interface

The SOC-4000 supports a wide range of load-cell connection configurations, each based on various combinations of the following connection options:

- 4-wire or 6-wire interface
- Up to eight load cells connected in parallel
- Load cell impedance range of 350 to 1000 ohms

Individually and in combination, these connection options enable the SOC-4000 to function on a wide range of application platforms, each having different power consumption and system configuration requirements, while using the same electronic hardware.

4-Wire and 6-Wire Interfaces

The SOC-4000 interface to the load cell carries the following electrical signals:

- SIG + (Signal Input +)
- SIG – (Signal Input –)
- SEN + (Excitation voltage / Sense input +)
- SEN – (Excitation voltage / Sense input –)

A typical 4-wire load-cell connection, in which the distance between the load cells and the SOC-4000 chip is small, as in a standard retail scale, is shown in Figure 27.

However, in platforms requiring long wires between the load cell and the electronic hardware, such as weighing bridges, the voltage drop over the cables is significant and affects accuracy.

The 6-wire interface eliminates this error factor by using the sense wires, as shown in Figure 28. The sense wires serve as a reference for the A/D converter, thus eliminating the voltage drop over the long excitation-voltage wires.

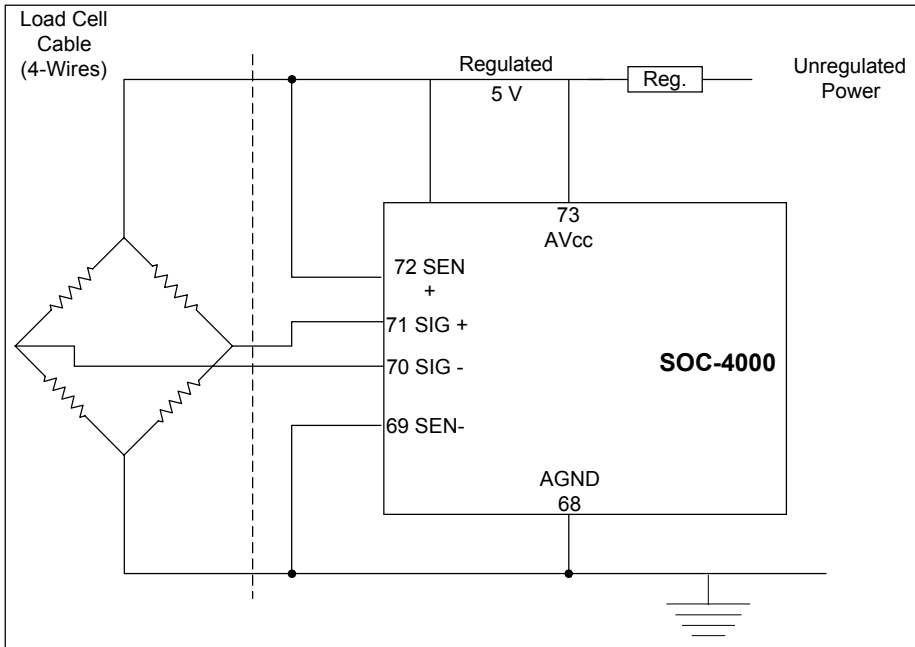


FIGURE 27:4-WIRE LOAD-CELL CONNECTION

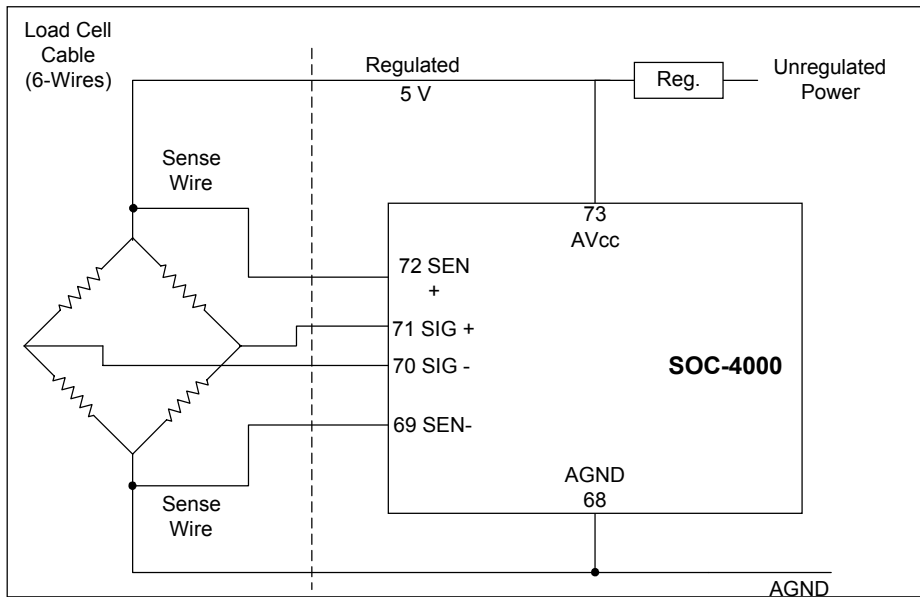


FIGURE 28:6-WIRE LOAD-CELL CONNECTION

Load Cells Connected in Parallel

The SOC-4000 may be connected to up to eight load cells connected in parallel. Multiple load cells are required in heavy load applications, such as weigh bridges, that require from two to eight load cells.

Load cells connected in parallel typically result in lower output impedance, which decreases in direct proportion to the number of load cells. This results in a higher excitation current and higher sensitivity to factors that throw load cells out of balance.

The SOC-4000 eliminates this problem with its high Common Mode Rejection Ratio (CMRR), which allows the connection of a large number of load cells (up to eight) without losing measurement accuracy. The multiple load-cell connection is shown in Figure 29.

IMPORTANT

The load cells should be matched before connecting them to the SOC-4000 to ensure the same initial offset, span and impedance. This will eliminate error factors that are beyond the control of SOC-4000 electronics.

NOTE

These large weighing platforms may also require a 6-wire interface connection, as described above (page 77).

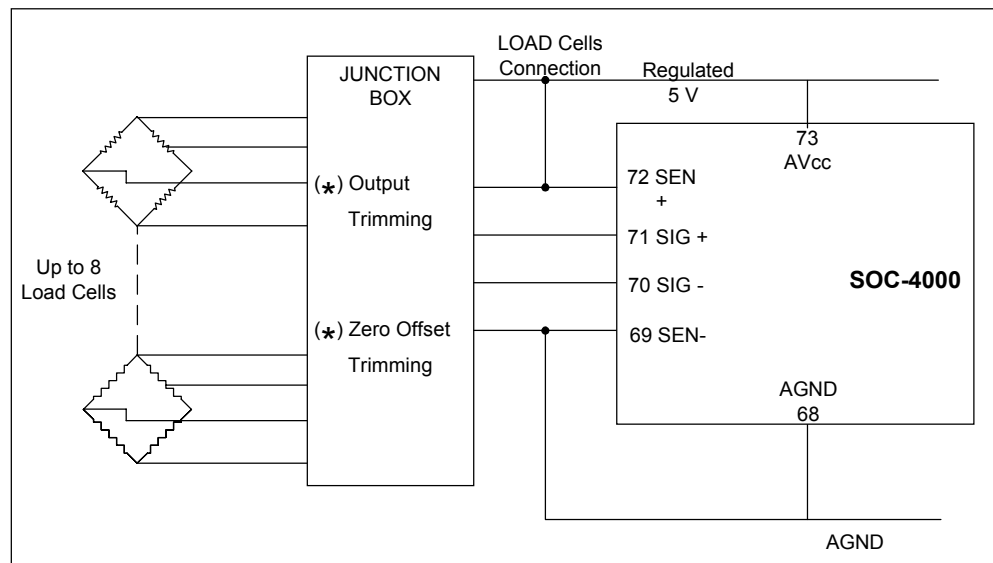


FIGURE 29: MULTIPLE LOAD-CELL CONNECTION

Load Cell Impedance

Most load cells have output impedance of 350 ohms. However, in power-restricted applications, load cells of higher impedance, typically a 1000-ohm bridge, are used to reduce the cell's power consumption.

The SOC-4000 CMRR minimizes the error resulting from this high bridge impedance and ensures full and accurate performance under this limiting condition.

The result is economical power consumption without sacrificing weighing accuracy.

Serial Communication Channel Multiplexer

The SOC-4000 supports two serial communication channels that are multiplexed to the embedded 80C31TBO controller UART.

Selection of the active serial channel is done via the control register at address **C111H** as defined in Table 38.

TABLE 38: COMMUNICATION CHANNEL MULTIPLEXER CONTROL

ADDRESS	CONTROL REGISTER VALUE	ACTIVE COMMUNICATION CHANNEL	SOC-4000 PIN #
C111H	0	Tx, Rx (Channel 1)	20, 21 (Default)
	1	Tx2, Rx2 (Channel 2)	22,23

RS-485 Serial Interface Transmit / Receive Control

SOC-4000 supports managing the operation of an RS-485 driver (transmit / receive). The control is implemented asserting port P4.1 (address **F227H**, pin 23) to 'HIGH' or 'LOW' as required according to the function and the RS-485 driver used.

To operate the RS-485:

1. Write **00H** to **F227H** (P4.1) sets the port to 'LOW'.
2. Write **FFH** to **F227H** (P4.1) sets the port to 'HIGH'.

Keyboard Interface

The SOC-4000 supports direct connection of a keyboard of up to 128 keys arranged in an 8×16 matrix. The hardware interface with an example of a scale keyboard is shown in Figure 30.

The keyboard controller (“Keyboard Controller”, page 29) automatically scans the matrix by asserting a high signal on the output lines (KOUT 0 to 7) and reading the input lines (KIN 0 to 15). The key hardware code, which is the code returned by the keyboard controller when the key is pressed, is shown in Figure 11, page 30.

The keyboard controller has a programmable anti-bounce mechanism, in which different delays can be programmed to avoid erroneous key activation due to bouncing of the keys. The delay can be set to a discrete value from 4 to 18 milliseconds, in two-millisecond increments. For programming the anti-bounce mechanism, see Table 10, page 31.

To operate the keyboard:

1. Initialize the CFR registers to support the required keyboard matrix. See Table 29, page 64.
2. Initialize the keyboard controller, as described in “Keyboard Controller”, page 29.
3. Program the keyboard controller, as described in “Keyboard Controller”, page 29.

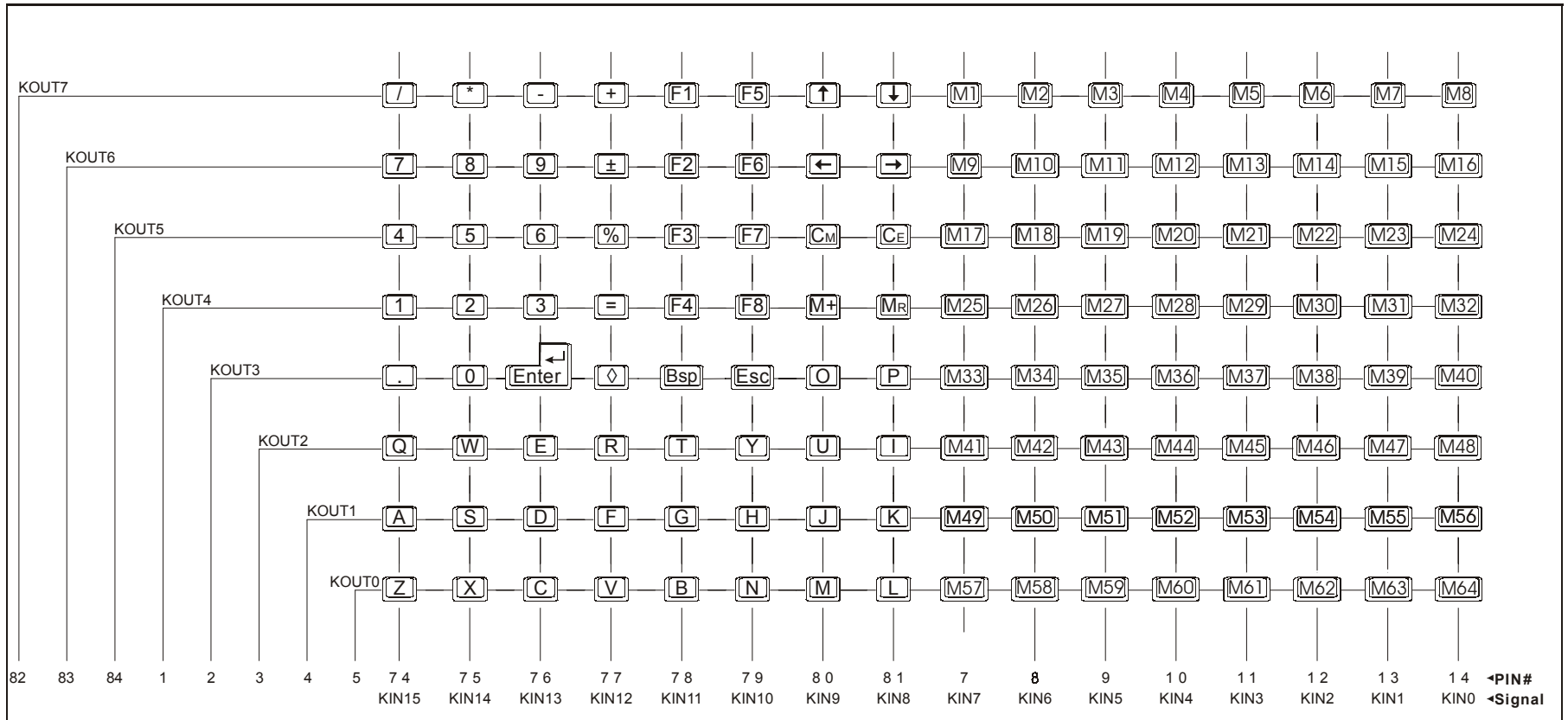


FIGURE 30:KEYBOARD INTERFACE

LED/VFD Serial Display Interface

The SOC-4000 interface supports Serial LED/VFD displays as follows:

- Up to 24 digits each comprising eight segments—seven-segment digit plus Decimal Point (DP)
- Three digit groups, **Weight, Price** and **Total**
- Automatic hardware refresh mechanism to reduce power consumption

To operate the LED/VFD display (common anode):

- Initialize the CFR registers to support operation in the LED/VFD Serial display mode. See Table 29, page 64.

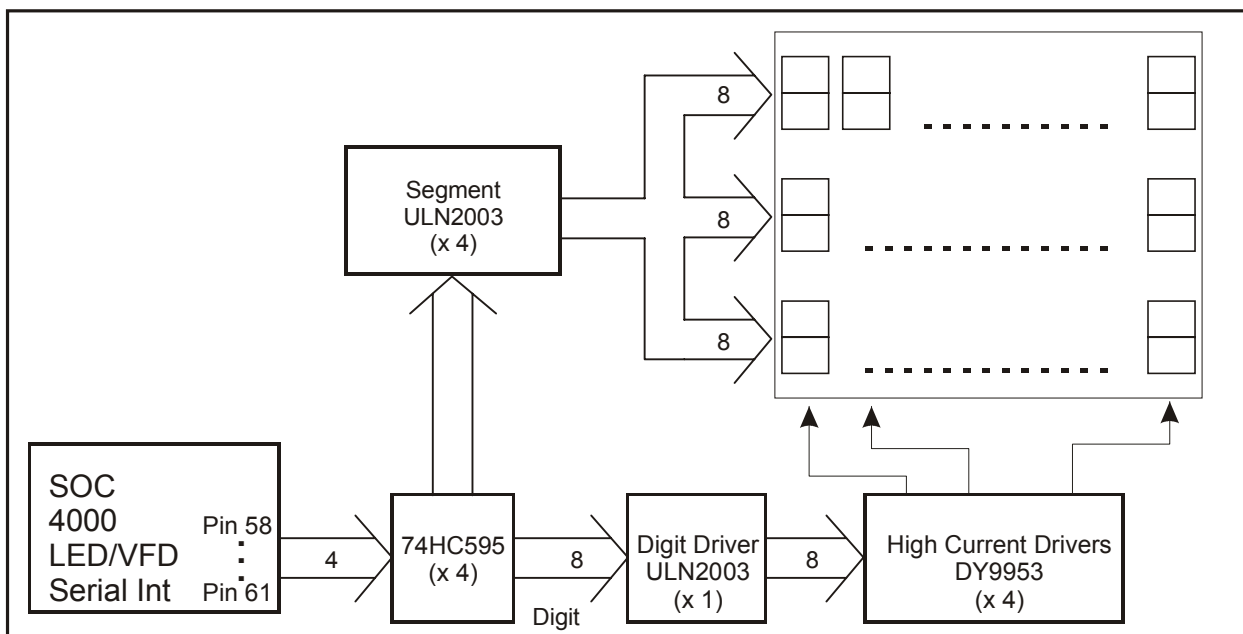


FIGURE 31: SOC-4000 INTERFACE TO A LED/VFD DISPLAY

External Interrupt Sources

External interrupt sources may be connected to the SOC-4000 using the following pins:

- Vdet / INT0~.
- P3.4 / Timer-counter 0 input.
- P3.5 / Timer-counter 1 input.

Using the Vdet input:

The Vdet input is connected to INT0 of the 80C51TBO core. In battery-operated equipment this input is connected to the battery voltage divider and used to detect low battery voltage.

Other interrupt sources may be connected to this input using open-collector drivers operating in negative logic mode ('0' is active interrupt). A low voltage input triggers the INT0. The application software applies a mechanism to determine whether the interrupt was generated by low battery voltage or by other interrupt source.

The external interrupt sources should be level-type (and not pulse). It is recommended to add a LPF with R=330 Ohm, C=1μF.

Using Timer0 and Timer1 inputs:

SOC-4000 pin #25 is connected to the 80C51 Timer 0 input (P3.4) and pin #26 is connected to Timer1 input (P3.5).

These inputs may be used for counting or timer operations, or as additional interrupt inputs to the device.

Using these inputs as interrupt inputs requires that the appropriate timer be set to 0xFE. The next event causes the counter to increase to 0xFF and triggers the Timer 0 (or Timer 1) interrupt.

I²C-Compatible Interface

The SOC-4000 supports a 2-wire I²C compatible serial interface. The I²C-compatible interface shares its pins with the CPU I/O pins (P1.4, P1.5) and is implemented in software. Table 39 provides the hardware interface information:

TABLE 39: I²C-COMPATIBLE INTERFACE HARDWARE INTERFACE

PIN#	NAME	DESCRIPTION
17	SDA (P1.4)	Serial Data I/O pin
16	SCL (P1.5)	Serial Clock pin

Power Saving Schemes

SOC-4000/i provides several means to save power for battery-operated systems:

- Set the CPU to IDLE or POWERDOWN operating modes – see detailed description in the M8051TBO Technical Specification, Power Management section.
- Disable unused hardware controllers – by disabling the controller clock via the “Controllers Clock Enable Registers (C200H, C201H)”, see Table 32 (page 68) and Table 33 (page 68).
- Reduce the CPU frequency to minimum while idle by using the Frequency Controller. The CPU frequency may be increased on the fly to 16MHz when an interrupt or an event occurred.
- Switch the power to the load cell using the I/O pins of the SOC and an external switch.

In-Circuit Emulator (ICE) System

The In-Circuit Emulator (ICE-3000) system provides full emulation of the SOC-4000 device. It includes a plug-in pod that replaces the SOC-4000 device thus enabling full emulation of the device in the target board. It emulates the SOC-4000 device in real-time simplifying the hardware-software integration process.

The ICE-3000 is composed of 3 elements:

- DS-51 emulator.
- SOC-4000 Personality Probe.
- Windows-based software debugger.

The system enables you to access all SOC-4000 device registers and memory locations and debug the application using free run or breakpoints and single step execution control.

Grounding and Board Layout Recommendations

As with all high-resolution data converters, special attention must be paid to grounding and to the PCB layout of SOC-4000 based designs in order to achieve optimum performance from the Analog-To-Digital Converter.

Four-layer boards are recommended where the outer layers are ground layers covering the whole surface, and the inner layers are used for routing the signal lines. The same ground plane should be used for both the digital and analog grounds.

Keep all ground connection as short as possible. Make sure that the return paths of the signals are as close as possible to the paths that the currents took to reach their destinations.

Avoid digital signals flowing under the analog components area.

Wherever possible, avoid large discontinuities in the ground plane, since they force the return signals to travel on a longer path. An example of correct implementation is routing all signals through the inner layers and keeping the outer layers for ground.

If you plans to connect fast logic signals (rise/fall time < 5ns) to any of the SOC-4000 digital inputs, add a series resistor to each relevant line in order to keep rise and fall times longer than 5 ns at the SOC-4000 input pins. A value of 100 Ω or 200 Ω is usually sufficient to prevent high-speed signals from capacitive coupling into the SOC-4000 and affecting the accuracy of the ADC.

LCD Display Module Interface

The SOC-4000 supports direct connection of an LCD display module. The hardware interface with the module is shown in Figure 32.

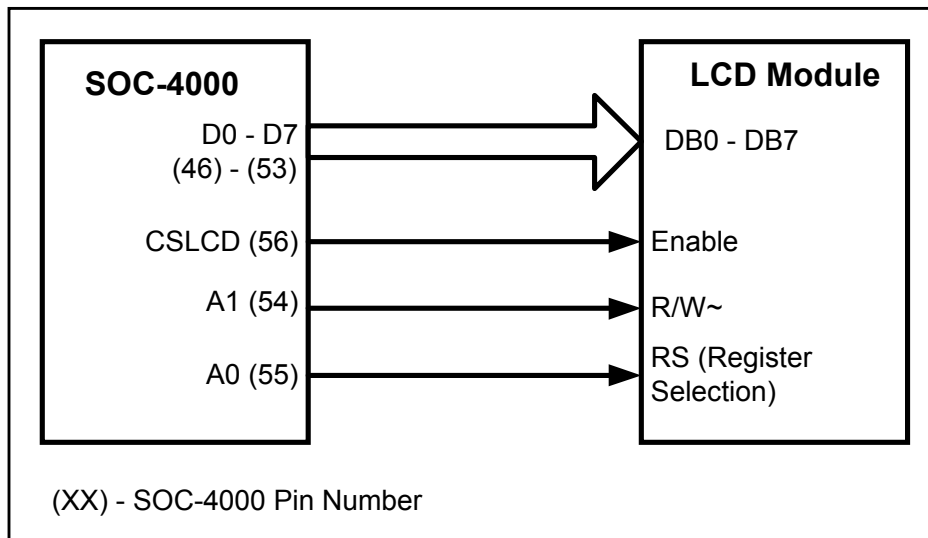


FIGURE 32: LCD DISPLAY MODULE HARDWARE INTERFACE

The SOC-4000 signals and pin out are defined in Table 40.

TABLE 40: SOC-4000 INTERFACE SIGNALS TO LCD DISPLAY MODULE

SIGNAL NAME	PIN NUMBER	I/O	FUNCTION
D0 – D7	46 - 53	O	Data bus. D7 is the MSB. Output Only.
CSLCD	56	O	Module select signal
A1	54	O	Read / Write signal
A0	55	O	Address (register) select

The LCD display module hardware interface is composed of 11 signals, as described in Table 41. Notice that the SOC-4000 imposes several restriction on the module interface.

TABLE 41: LCD DISPLAY MODULE INTERFACE SIGNALS

SIGNAL NAME	NO. OF SIGNALS	I/O	FUNCTION
DB0 – DB7	8	I/O	Tristate bidirectional data bus: data is read from the module to the controller or written to the module. DB7 is the MSB. DB7 is also used as a busy flag.
E	1	I/O	Operation start signal. The signal activates data write or read.
R/W~	1	I	Read / Write selection signal: 0 : Write 1 : Read
RS	1	I	Register selection signal: 0 : Instruction register (Write) Busy flag and address counter (Read) 1 : Data register (Write and Read)

Table 42 defines the registers addresses used to operate module and their function.

TABLE 42: REGISTERS ADDRESSES AND FUNCTION

REGISTER ADDRESS	READ / WRITE	FUNCTION
F400H	W	Write Instruction register
F401H	W	Write Data register



USA

Tedea-Huntleigh Incorporated
20630 Plummer Street
Chatsworth, California 91311
U.S.A.
Tel: +1-818-701-2700
Fax: +1-818-701-2799
Email: sales@tedea-huntleigh.com

UK

Tedea-Huntleigh Europe Ltd.
37 Portmanmoor Road
Cardiff
CF24 5HE
United Kingdom
Tel: +44 (0) 29-20460231
Fax: +44 (0) 29-20462173
Email: sales@tedea-huntleigh.co.uk

Taiwan

Integrated Solutions Ltd.
Tel: +886-2-2649-7254
Fax: +886-2-2649-7253

Germany

Tedea-Huntleigh GmbH
Mümlingweg 18
D-64297
Darmstadt-Eberstadt
Germany
Tel: +49-6151-94460
Fax: +49-6151-944640

France

SEEA sa.
16 Rue Francis Vovelle
28000 Chartres
France
Tel: +33-2-37-33-31-20
Fax: +33-2-37-33-31-29

CybraTech (1998) Ltd.

5a Hazoran St., PO Box 8381
Netanya, 42506 ISRAEL
Tel: +972-9-8638832
Fax: +972- 9-8638822
Email: info@cybratech.co.il
Website: www.cybratech.com

The logo for CybraTech features the word "Cybra" in a dark blue, cursive-style font, followed by "Tech" in a bold, orange, sans-serif font.