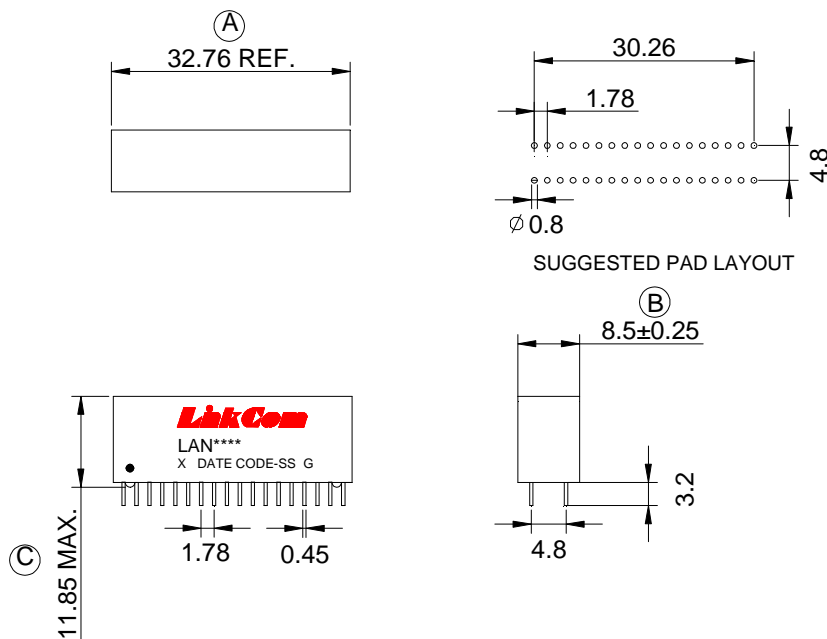


10/100/1000BASE-T Magnetics Module

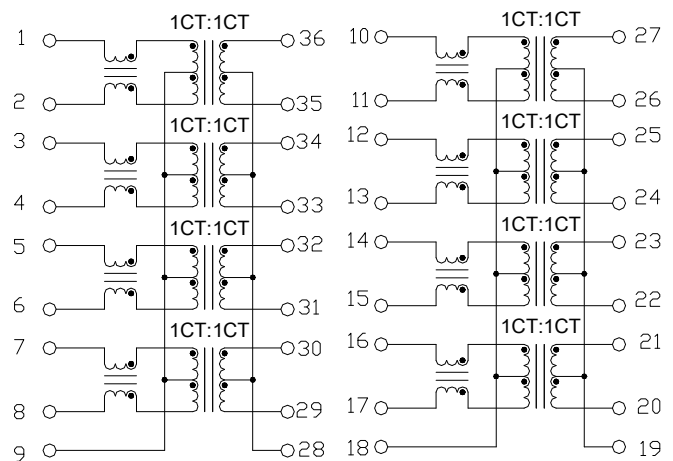
- Meets IEEE 802.3 standard for 1000BASE-T
- RoHS Compliant
- Dual ports configuration
- Small footprint saves board space
- Operating Temperature: 0°C ~70°C

Electrical Specifications @25°C			
OCL:	350uH Min. @100KHz/0.1V with 8mA DC Bias		
Hi-POT :	1500Vrms.		
Turn Ratio:	1CT:1CT±3%		
Insertion Loss:	1-100MHz @ -1.1dB Max.		
Return Loss:	1-30MHz	60-80MHz	100MHz
	-18.0dB Min.	-12.0dB Min.	-10.0dB Min.
Cross Talk :	30MHz	60MHz	100MHz
	-40dB Min.	-35dB Min.	-30dB Min.
C.M.R.R:	30MHz	60MHz	100MHz
	-40dB Min.	-35dB Min.	-30dB Min.

Dimensions



Schematic



Mark

1. .LAN****----LAN3362
2. X---PRODUCT LINE or BLANK
3. DATE CODE----YYWW
4. SS----52
5. G----RoHS

Units: mm
Unless otherwise specified, all tolerances are ±0.25