

Data sheet | Item number: 756-3205/140-050

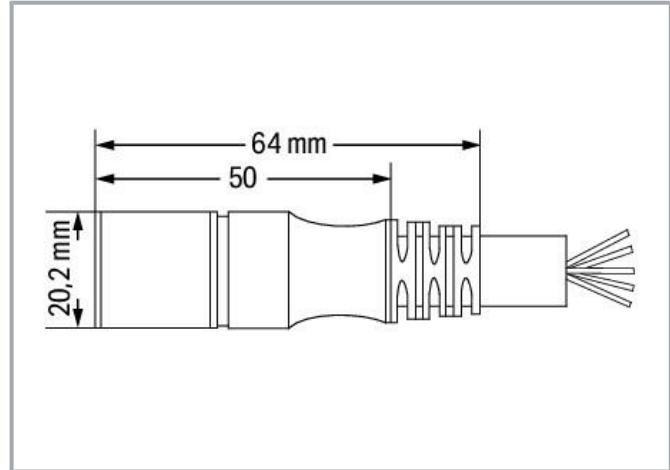
Connecting cable; 14-pole; Length: 5 m

www.wago.com/756-3205/140-050



 Picture differs from the item.

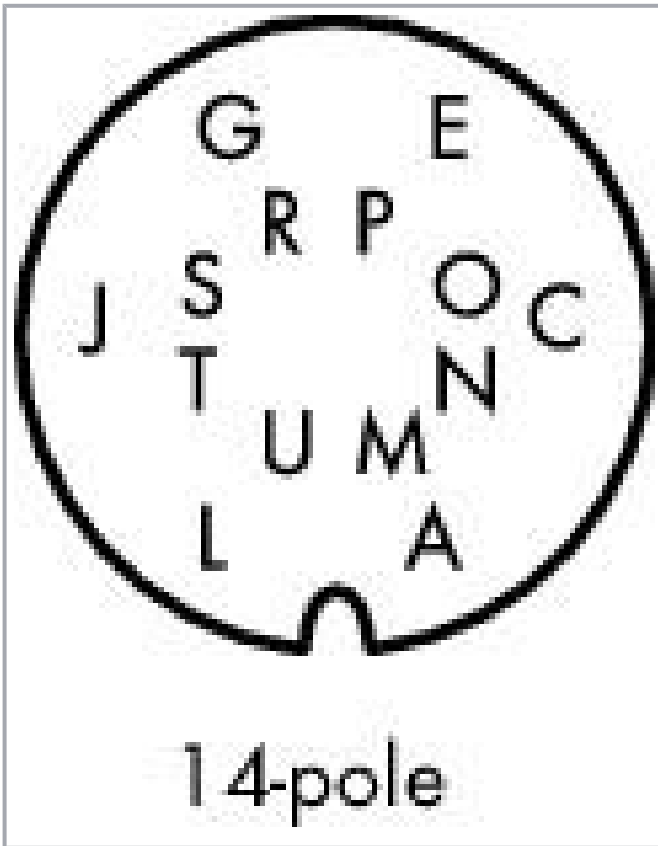
Color: 



Subject to changes. Please also observe the further product documentation!

WAGO Kontakttechnik GmbH & Co. KG
Hansastr. 27
32423 Minden
Phone: +49571 887-0 | Fax: +49571 887-169
Email: info.de@wago.com | Web: www.wago.com

Do you have any questions about our products?
We are always happy to take your call at +49 (571) 887-44222.



Pin A, L: 0.75 mm²
 Pin C - J, N - T: 0.34 mm²

A	brown	N	pink-brown
C	white-pink	O	violet
E	black	P	white
G	pink	R	red
J	green	S	gray
L	blue	T	yellow
M	commoned with A	U	commoned with L

Data

Technical data

Connection type	M16 socket - free end
Pole No.	14
Cable connection direction to mating direction	0°
Cable length	5 m
Operating voltage	150 V
Operating current	4 A
Operating current	6 mm ² 0,75 A
Rated surge voltage	1.2 kV

Mechanical data

Bending cycles	2 Mio.
Drag chain suitability	yes
Sheathed cable diameter	8.9 ... 9.3 mm

Subject to changes. Please also observe the further product documentation!

WAGO Kontakttechnik GmbH & Co. KG
 Hansastr. 27
 32423 Minden
 Phone: +49571 887-0 | Fax: +49571 887-169
 Email: info.de@wago.com | Web: www.wago.com

Do you have any questions about our products?
 We are always happy to take your call at +49 (571) 887-44222.



Weight	614 g
Color	black

Environmental requirements

Surrounding air (operating) temperature (dynamic)	-30 ... +90 °C
Surrounding air (operating) temperature (static)	-40 ... +90 °C
Protection type	IP67

Commercial data

PU (SPU)	1 Stück
Packaging type	box
Country of origin	DE
GTIN	4044918978491
Customs tariff number	85444290900

Downloads

Documentation

System Description

Sensor/Actuator Boxes – General Product Information	pdf 537.3 kB	Download
---	-----------------	----------

CAD/CAE-Data

CAE data

WSCAD Universe 756-3205/140-050	URL	Download
WSCAD Universe 756-3205/140-050	URL	Download

Environmental Product Compliance

Compliance Search

Environmental Product Compliance 756-3205/140-050 Connecting cable; 14-pole; Length: 5 m	URL	Download
---	-----	----------

Subject to changes. Please also observe the further product documentation!

Data sheet | Item number: 756-3205/140-050

www.wago.com/756-3205/140-050



Installation Notes

Subject to changes. Please also observe the further product documentation!

WAGO Kontakttechnik GmbH & Co. KG
Hansastr. 27
32423 Minden
Phone: +49571 887-0 | Fax: +49571 887-169
Email: info.de@wago.com | Web: www.wago.com

Do you have any questions about our products?
We are always happy to take your call at +49 (571) 887-44222.