

IEC Appliance Inlet C16, Screw-on Mounting, Front Side, Screw-on Terminal



Description

- Panel Mount:
Screw-on mounting, Front Side
- 1 Function:

- Appliance Inlet, Pin temperature 120 °C, Protection class I
- Clip for Pins

Approvals

- UL File Number: E96454
- CSA File Number: 27324

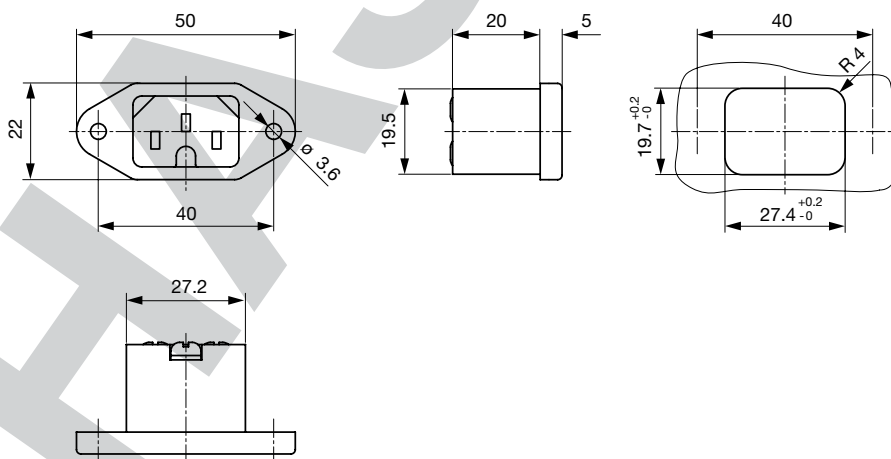
References

We recommend for new applications the new type [6110-3](#)
Last order date: 11.03.2016

Technical Data

Ratings IEC	10A / 250VAC; 50Hz	Appliance Inlet	C16 acc. to IEC 60320-1 UL 498, CSA C22.2 no. 42 (For hot conditions) pin-temperature 120 °C, 10A, Protection Class I
Ratings UL/CSA	15A / 250VAC; 60Hz		
Dielectric Strength	> 3kVAC between L-N > 1.5kVAC between L/N-PE (1 min/50Hz)		
Allowable Operation Temp.	-25 °C to 120 °C		
Degree of Protection	IP 20 acc. to		
Protection Class	Suitable for appliances with protection class I acc. to IEC 61140		
Material: Housing	black or grey, UL 94V-0		

Dimensions



Length of the terminal please find at the order code configuration table

Config. Code

0164 - H - A B C 0 - D - E 0

The characters are placeholders for the correspondingly keys of selections from the key tables.

0164 - **H** - A B C 0 - D - E 0 = Type

Type	Configuration key
protection class I	X

0164 - H - **A** B C 0 - D - E O = Terminals

Terminal L	Configuration key
screw terminal	A

0164 - H - A **B** C 0 - D - E O = Terminals

Terminal N	Configuration key
screw terminal	A

Symbols similar as in table A

0164 - H - A B **C** 0 - D - E O = Terminals

Terminal Ground	Configuration key
screw terminal	A

Symbols similar as in table A

0164 - H - A B C 0 - **D** - E O = Color

Color	Configuration key
Black	A
Grey	C

0164 - H - A B C 0 - D - **E** O = Style

Style	Configuration key
flange with countersunk holes	1
flange with through holes	2

0164 - H - A B C 0 - D - E **O** = Features

Features	Configuration key
without V-Lock	
V-Lock	V

All Variants

Config. Code	Description	Order Number
0164-X-AAA0-A-2	0164, IEC Appliance Inlet C16, 120°C, version: protection class I, L: screw terminal, N: screw terminal, ground: screw terminal, color: Black, design: flange with through holes, dimension S: , features:	6167.0007

The listed variants should be available from stock. Other versions on request www.schurter.com/contact

Availability for all products can be searched real-time: <http://www.schurter.com/Stock-Check/Stock-Check-SCHURTER>

Packaging unit 50 Pcs

Mating Outlets/Connectors

Category / Description

[Connector Overview complete](#)



IEC Connector C15 for hot conditions 120°C, Rewireable, Straight	4781
IEC Connector C15, Rewireable, Straight	8101
IEC Connector C15 for hot conditions 120°C, Rewireable, Angled	4784
IEC Connector C15A, Rewireable, Straight	0102
IEC Connector C15A, Rewireable, Straight	0102-G
Connector further types to 0164	...