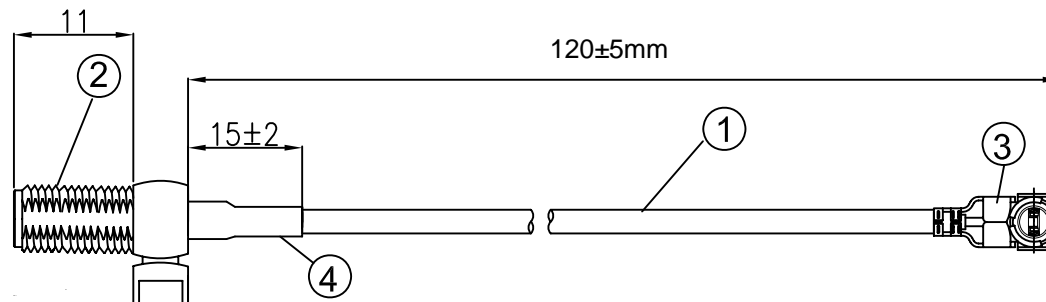


Kinghelm[®]

型号: KH-IPEX-SMAKWE-Q120H



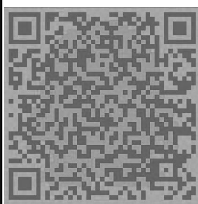
NOTES:

1. ELECTRICAL:
 - 1.1. VOLTAGE RATING:DCV 300V 10MS
 - 1.2. CONDUCTANCE RESISTANCE: 3.0 OHM/MAX.
 - 1.3. INSULATION RESISTANCE: 5.0M OHM/MIN.
 - 1.4. THE CABLE SHOULD BE 100% ELECTRICAL TEST
 - 1.5. IT SHOULD BE NO ANY OPEN/SHORT, MISWIRING AND INTERMITTENT FAILURES.
2. MATERIAL:
 - 2.1. SEE TABLE
3. ALL COMPONENTS ARE RoHS COMPLIANT.

| ITEM NO. | PART NUMBER | DESCRIPTION | QTY. |
|----------|-------------|------------------------------|------|
| ④ | 套管 | 黑色热缩套管, OD:2.0MM | AS |
| ③ | 端子 | 高仿I-PEX ,1.13端子, 镀金 | 1 |
| ② | 接头 | SMA母头母针, 带4个脚, 11牙, 镀金, 外螺内孔 | 1 |
| ① | 同轴线 | RF1.13黑线,OD:1.13mm | AS |

金 航 标 电 子 有 限 公 司

| | | | | | |
|----------------------------------|------------------------------|-------|----------------|------------|--------------------------------|
| ALL DIMENSION ARE IN MM | DRAWN | James | DATE | 2020-04-15 | I-PEX 1.13 TO SMA /F L= 120 mm |
| | CHKD. | Frank | | 2020-04-15 | |
| | APPD. | Scott | | 2020-04-15 | |
| COMPUTER GENERATED IN SOLIDWORKS | | | | | |
| DO NOT SCALE THIS DRAWING | | | | | |
| PROJECTION | GENERAL TOLERANCE FOR ANGLES | | X.X X.XX X.XXX | | SIZE Number |
| | ± 1° ± 0.3 ± 0.25 ± 0.150 | | | | REV A |
| CUSTOMER P/N: | | | SCALE: Free | | TYPE |
| | | | SHEET 1 OF 1 | | |



技术详询

CUSTOMER P/N: