

KR Electronics

General Description

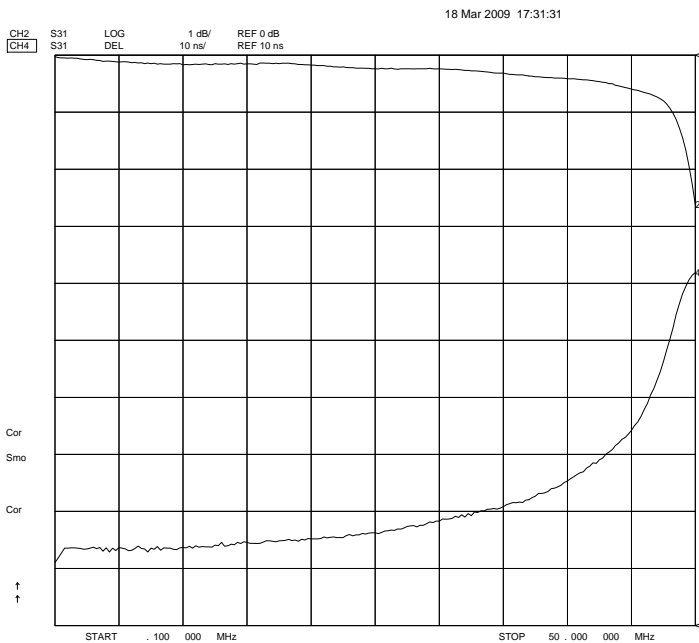
KR 2894 is a 50 MHz lowpass filter. Other passband frequencies are available. Please consult the factory.

Features

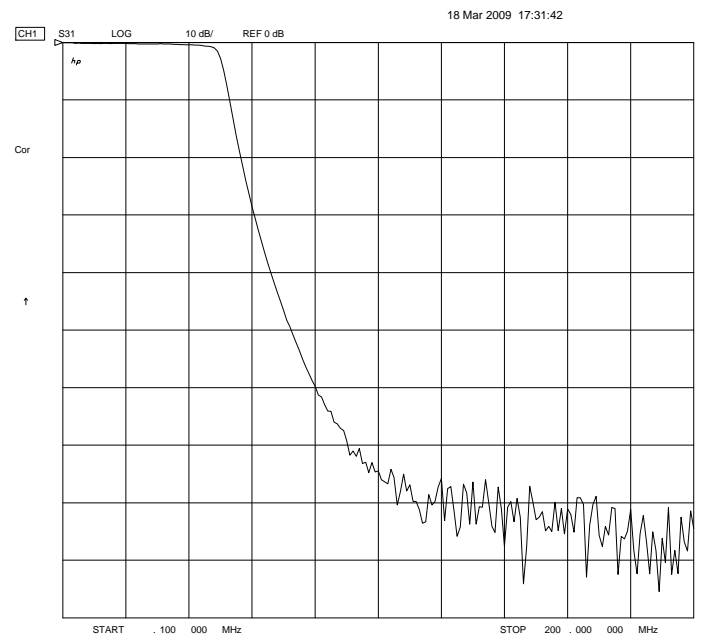
- 50 MHz Cutoff Frequency
- 9th Order
- Surface Mount
- 50 Ω Source and Load

Typical Performance

Passband Amplitude & Group Delay
(1 dB/div and 10 nsec/div)



Overall Response
(10 dB/div)



KR Electronics, Inc.
91 Avenel Street
Avenel, NJ 07001

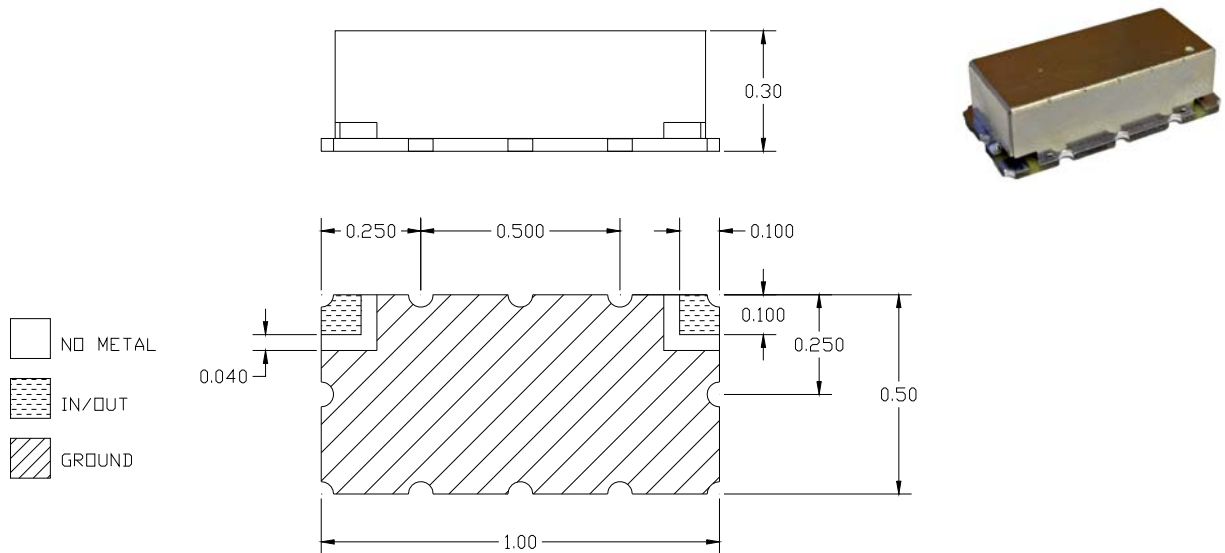
Web www.krfilters.com
Email sales@krfilters.com
Phone (732) 636-1900
Fax (732) 636-1982

KR Electronics 2894

Specifications

Parameter	Specification
Filter type	Lowpass
Cutoff Frequency (3 dB ± 1 dB)	50 MHz
Rejection at 58 MHz	24 dB typical
Rejection at 61 MHz	31 dB typical
Rejection at 68.5 MHz	45 dB typical
Rejection at 74 MHz	53 dB typical
Source and Load	50 Ω

Physical Dimensions



Notes:

1. Surface mount package
2. Dimensions in inches
3. Max reflow temperature 209° C for 10 sec
4. If boards are cleaned after installation units must be completely dried

KR Electronics, Inc.
91 Avenel Street
Avenel, NJ 07001

Web www.krfilters.com
Email sales@krfilters.com
Phone (732) 636-1900
Fax (732) 636-1982