

LTC3261EMSE

High Voltage, Low Noise Inverting Charge Pump

DESCRIPTION

Demonstration circuit 1882A is a high voltage inverting charge pump featuring the LTC[®]3261EMSE. The LTC3261 operates with an input voltage from 4.5V to 32V. The demo board provides the means to select between Burst Mode[®] operation or constant-frequency mode operation, plus select an operating frequency of 500kHz, 200kHz, and 50kHz.

The LTC3261 data sheet gives a complete description of the device, operation and application information. The data sheet must be read in conjunction with this quick start guide for demo circuit 1882A.

Design files for this circuit board are available at <http://www.linear.com/demo>

LT, LT, LTC, LTM, Linear Technology, the Linear logo and Burst Mode are registered trademarks of Linear Technology Corporation. All other trademarks are the property of their respective owners.

PERFORMANCE SUMMARY Specifications are at T_A = 25°C

SYMBOL	PARAMETER	CONDITIONS	MIN	TYP	MAX	UNITS
V _{IN}	Input Voltage		4.5		32	V
V _{OUT}	Output Voltage	MODE = 0V MODE ≥ 2V		-V _{IN} -0.94 • V _{IN}		V V

QUICK START PROCEDURE

Refer to Figure 1 for the proper measurement equipment setup and jumper settings, and follow the procedure below.

NOTE: When measuring the input or output voltage ripple, care must be taken to avoid a long ground lead on the oscilloscope probe. Measure the input or output voltage ripple by touching the probe tip directly across the V_{IN} or V_{OUT} and GND terminals. See Figure 2 for proper scope probe technique.

1. Make sure the jumper settings are as follows:

- JP1:** EN is in the ON position.
- JP2:** MODE is in the BURST position.
- JP3:** FREQ is in the 500kHz position.

2. Set PS1 to 15V and turn on supply.
3. Slowly increase the load from 0mA to -100mA and observe the output voltage and output ripple.
4. Set the load to 0mA.
5. Move the MODE jumper, JP2, from the BURST position to the CONT FREQ position and then repeat step 3.
6. Set the load to 0mA.
7. Move the FREQ jumper, JP3, from the 500kHz position to the 200kHz position.
8. Slowly increase the load from 0mA to -50mA and observe the output voltage and output ripple.
9. Set the load to 0mA.

QUICK START PROCEDURE

10. Move the FREQ jumper, JP3, from the 200kHz position to the 50kHz position.
11. Slowly increase the load from 0mA to -10mA and observe the output voltage and output ripple.
12. Turn off the load and PS1.
13. Set up the load, AM2 and VM2, for the power conversion efficiency measurement, as illustrated in Figure 3.
14. Set the MODE jumper, JP2, to the BURST position and the FREQ jumper, JP3, to the 500kHz position.
15. Set PS1 to 15V and turn on the supply.
16. Set the load to a desired current from 0mA to 100mA.
17. Calculate the power conversion efficiency from the following formula:

$$\text{Efficiency} = \frac{V_L \cdot I_L}{V_S \cdot I_S} \cdot 100\%$$

Figures 4 and 5 illustrate how the power conversion efficiency varies with load current in Burst Mode operation and in constant-frequency mode operation.

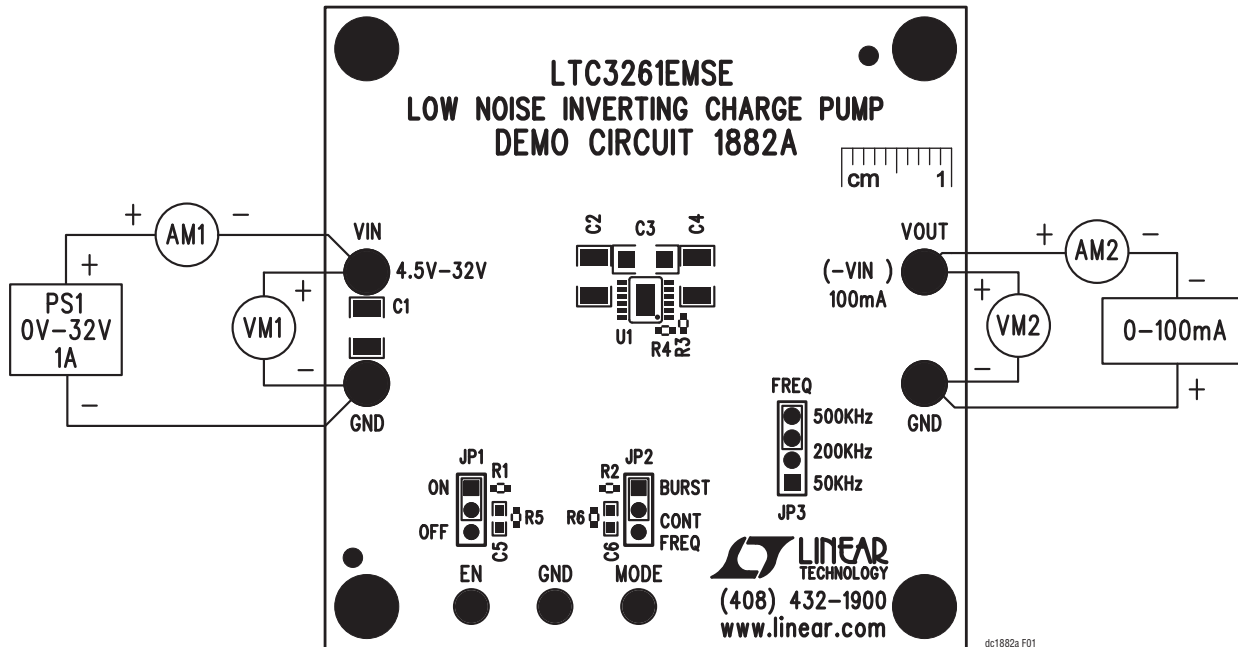


Figure 1. Proper Measurement Equipment Setup for DC1882A

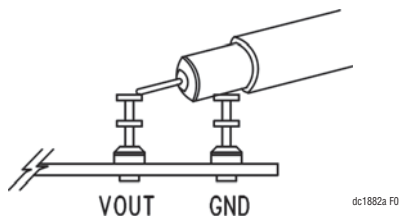


Figure 2. Measuring Input or Output Ripple

QUICK START PROCEDURE

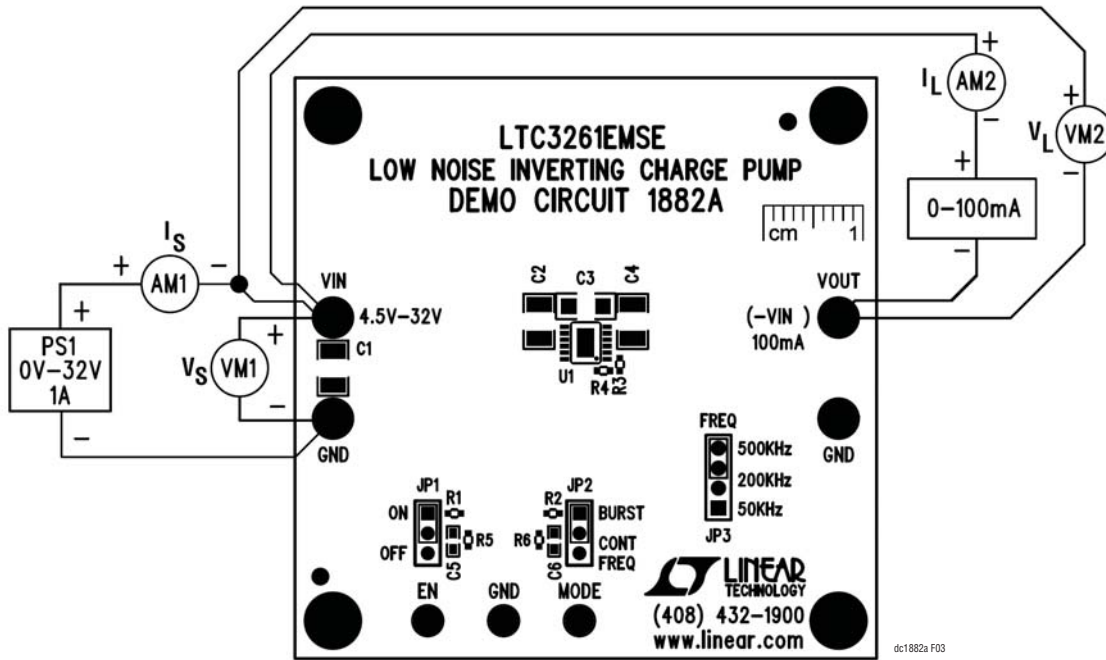


Figure 3. Power Conversion Efficiency Measurement Setup

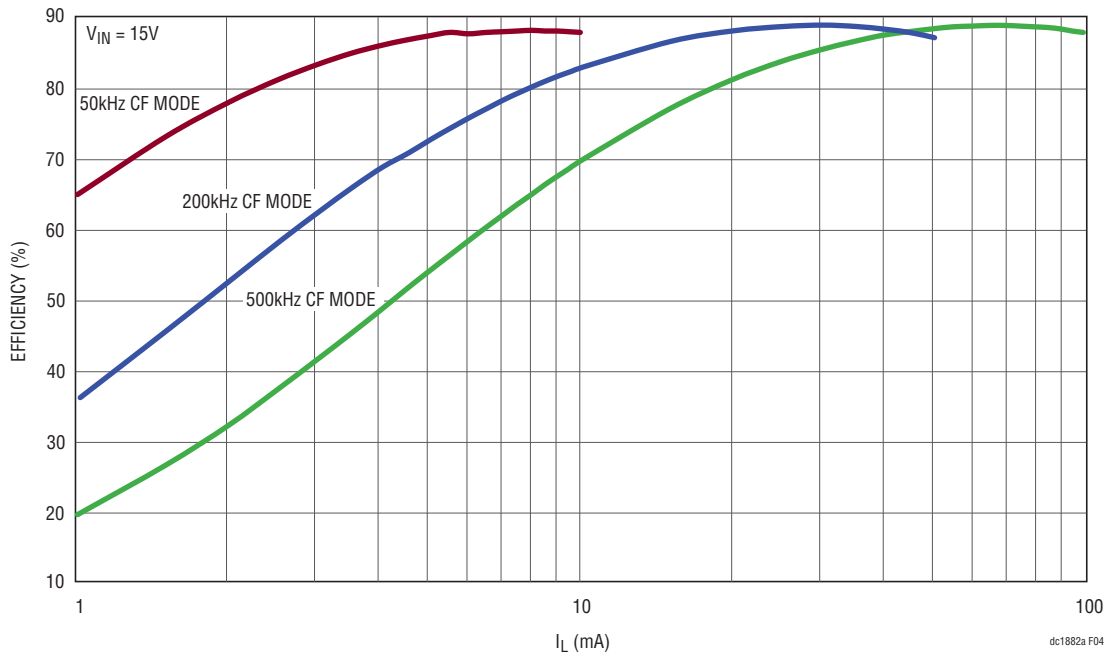


Figure 4. LTC3261 Constant-Frequency Mode Operation Power Conversion Efficiency

QUICK START PROCEDURE

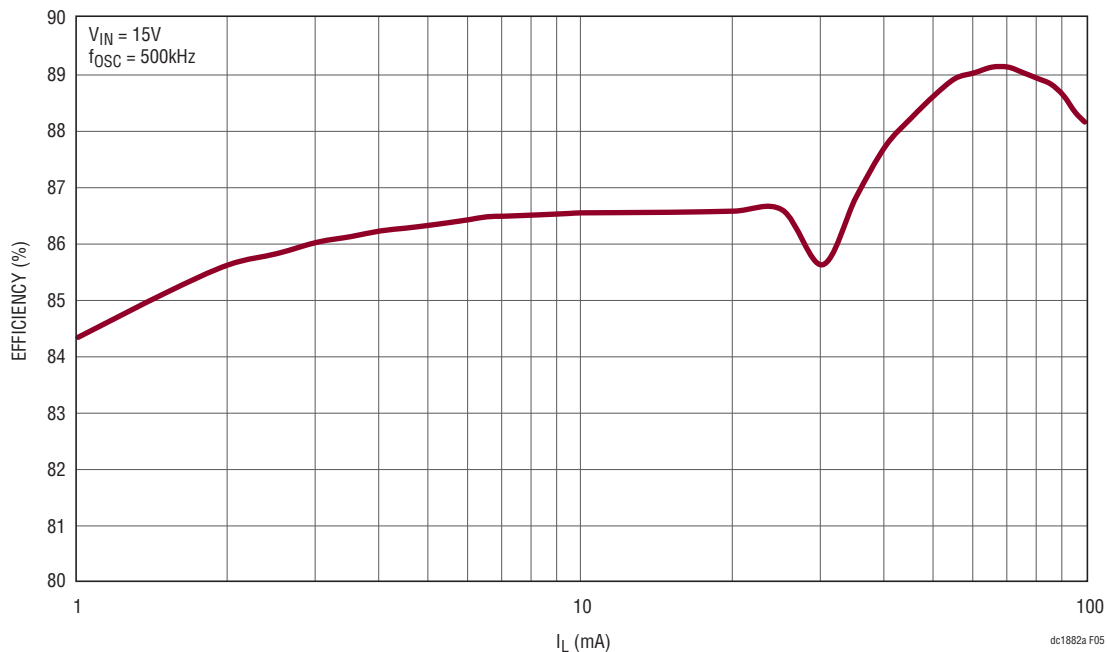
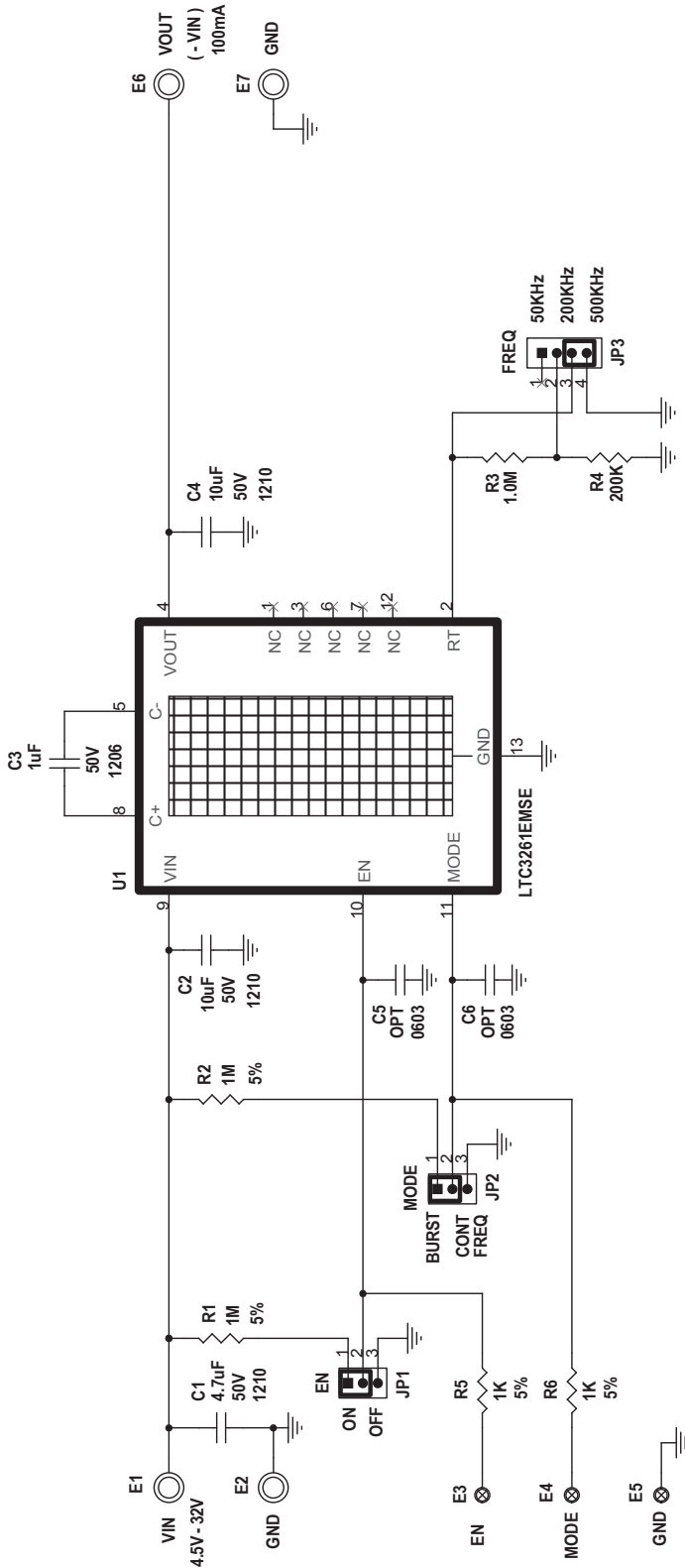


Figure 5. LTC3261 Burst Mode Operation Power Conversion Efficiency

PARTS LIST

ITEM	QTY	REFERENCE	PART DESCRIPTION	MANUFACTURER/PART NUMBER
DC1826A Required Circuit Components				
1	2	C2, C4	CAP, CER, 10µF, 50V, X7S, 10%, 1210	TDK, C3225X7S1H106K
2	1	C3	CAP, CER, 1µF, 50V, X7R, 10%, 1206	MURATA, GRM31MR71H105KA88
5	1	U1	LOW NOISE INVERTING CHARGE PUMP	LINEAR TECHNOLOGY, LTC3261EMSE#PBF
Additional Demo Board Circuit Components				
1	1	C1	CAP, CER, 4.7µF, 50V, X7R, 10%, 1210	MURATA, GRM32ER71H475KA88L
3	2	R1, R2	RES, 1MΩ, 1/16W, 5%, 0402, SMD	VISHAY, CRCW04021M00JNED
4	2	R3	RES, 1MΩ, 1/16W, 1%, 0402, SMD	VISHAY, CRCW04021M00FKED
5	1	R4	RES, 200k, 1/10W, 1%, 0402, SMD	VISHAY, CRCW0402200KFKED
Hardware: For Demo Board Only				
1	3	JP1-JP2	HEADER, 3 PIN, 1 ROW, 0.079"	SAMTEC, TMM-103-02-L-S
2	1	JP3	HEADER, 4 PIN, 1 ROW, 0.079"	SAMTEC, TMM-104-02-L-S
3	3	JP1-JP3	SHUNT, 2mm	SAMTEC, 2SN-KB-G
4	4	E1, E2, E6, E7	TP, TURRET, 0.094", PBF	MILL-MAX, 2501-2-00-80-00-00-07-0
5	3	E3, E4, E5	TURRET, 0.061", DIA	MILL-MAX, 2308-2-00-80-00-00-07-0

SCHEMATIC DIAGRAM



CUSTOMER NOTICE		APPROVALS		1630 McCarthy Blvd. Milpitas, CA 95035 Phone: (408)432-1900 www.linear.com Fax: (408)434-0507 LTC Confidential-For Customer Use Only	
LINEAR TECHNOLOGY		NC		TITLE: SCHEMATIC	
THIS CIRCUIT IS PROPRIETARY TO LINEAR TECHNOLOGY AND SUPPLIED FOR USE WITH LINEAR TECHNOLOGY PARTS.		MARTY M.		LOW NOISE INVERTING CHARGE PUMP	
LINEAR TECHNOLOGY HAS MADE A BEST EFFORT TO DESIGN A CIRCUIT THAT MEETS CUSTOMER-SUPPLIED SPECIFICATIONS; HOWEVER, IT REMAINS THE CUSTOMER'S RESPONSIBILITY TO VERIFY PROPER AND RELIABLE OPERATION IN THE ACTUAL APPLICATION. COMPONENT SUBSTITUTION AND PRINTED CIRCUIT BOARD LAYOUT MAY SIGNIFICANTLY AFFECT CIRCUIT PERFORMANCE OR RELIABILITY. CONTACT LINEAR TECHNOLOGY APPLICATIONS ENGINEERING FOR ASSISTANCE.		SCALE = NONE		REV. 1	
		DATE: 03-12-12		IC NO. LTC3261EMSE	
				SIZE N/A	
				DEMO CIRCUIT 1882A	
				SHEET 1 OF 1	

NOTE: UNLESS OTHERWISE SPECIFIED

1. ALL RESISTORS ARE 0402, 1%, 1/16W
2. INSTALL SHUNTS AS SHOWN.

Figure 10. LTC3261 Low Noise Inverting Charge Pump

DEMO MANUAL DC1882A

DEMONSTRATION BOARD IMPORTANT NOTICE

Linear Technology Corporation (LTC) provides the enclosed product(s) under the following **AS IS** conditions:

This demonstration board (DEMO BOARD) kit being sold or provided by Linear Technology is intended for use for **ENGINEERING DEVELOPMENT OR EVALUATION PURPOSES ONLY** and is not provided by LTC for commercial use. As such, the DEMO BOARD herein may not be complete in terms of required design-, marketing-, and/or manufacturing-related protective considerations, including but not limited to product safety measures typically found in finished commercial goods. As a prototype, this product does not fall within the scope of the European Union directive on electromagnetic compatibility and therefore may or may not meet the technical requirements of the directive, or other regulations.

If this evaluation kit does not meet the specifications recited in the DEMO BOARD manual the kit may be returned within 30 days from the date of delivery for a full refund. **THE FOREGOING WARRANTY IS THE EXCLUSIVE WARRANTY MADE BY THE SELLER TO BUYER AND IS IN LIEU OF ALL OTHER WARRANTIES, EXPRESSED, IMPLIED, OR STATUTORY, INCLUDING ANY WARRANTY OF MERCHANTABILITY OR FITNESS FOR ANY PARTICULAR PURPOSE. EXCEPT TO THE EXTENT OF THIS INDEMNITY, NEITHER PARTY SHALL BE LIABLE TO THE OTHER FOR ANY INDIRECT, SPECIAL, INCIDENTAL, OR CONSEQUENTIAL DAMAGES.**

The user assumes all responsibility and liability for proper and safe handling of the goods. Further, the user releases LTC from all claims arising from the handling or use of the goods. Due to the open construction of the product, it is the user's responsibility to take any and all appropriate precautions with regard to electrostatic discharge. Also be aware that the products herein may not be regulatory compliant or agency certified (FCC, UL, CE, etc.).

No License is granted under any patent right or other intellectual property whatsoever. **LTC assumes no liability for applications assistance, customer product design, software performance, or infringement of patents or any other intellectual property rights of any kind.**

LTC currently services a variety of customers for products around the world, and therefore this transaction **is not exclusive**.

Please read the DEMO BOARD manual prior to handling the product. Persons handling this product must have electronics training and observe good laboratory practice standards. **Common sense is encouraged.**

This notice contains important safety information about temperatures and voltages. For further safety concerns, please contact a LTC application engineer.

Mailing Address:

Linear Technology
1630 McCarthy Blvd.
Milpitas, CA 95035

Copyright © 2004, Linear Technology Corporation