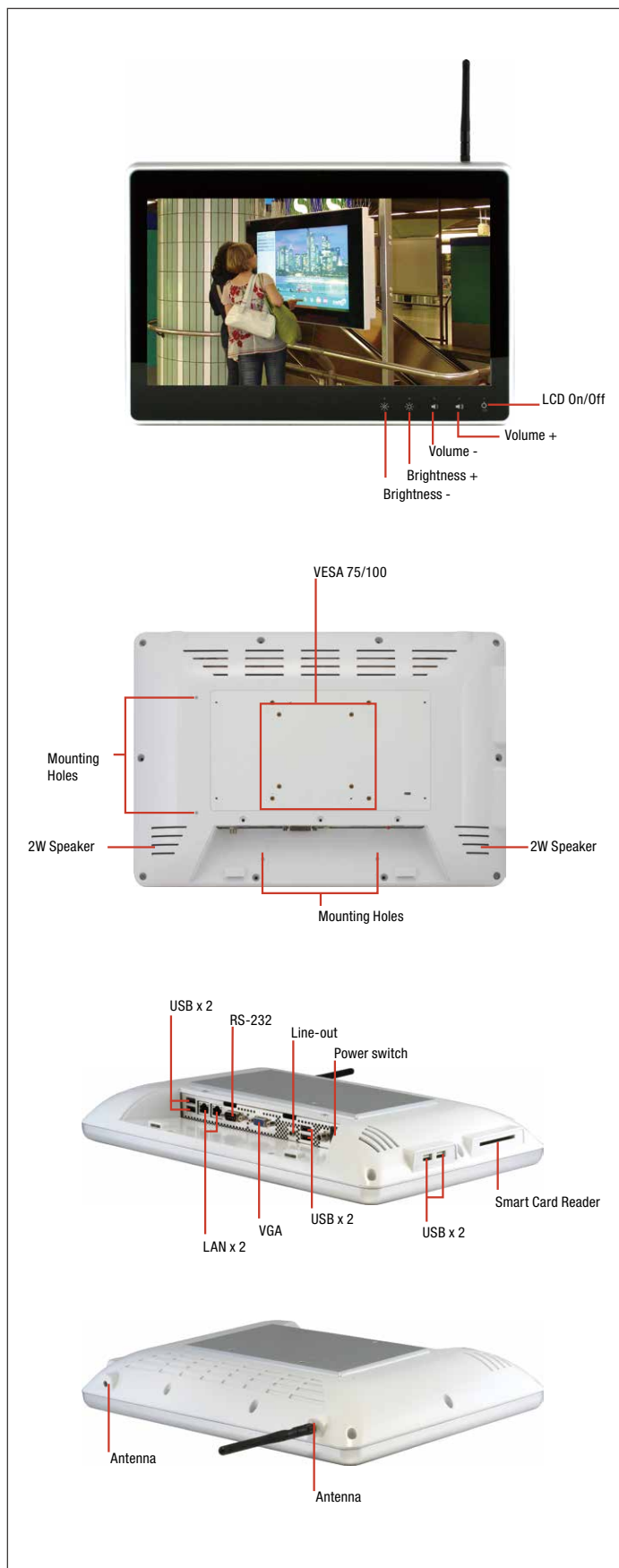


15.6" Fanless Multi-Touch Panel PC with Intel® Atom™ D2550 Processor, 2 GB RAM



Features

- 15.6" (1366 x 768) Color TFT LCD Display
- Intel® Atom™ D2550 Processor
- Widescreen with P-CAP Multi-Touch (2-point)
- 7H Anti-Scratch Surface
- IP65 Compliant Front Bezel
- Fanless Operation
- VESA 75/100 Compatible



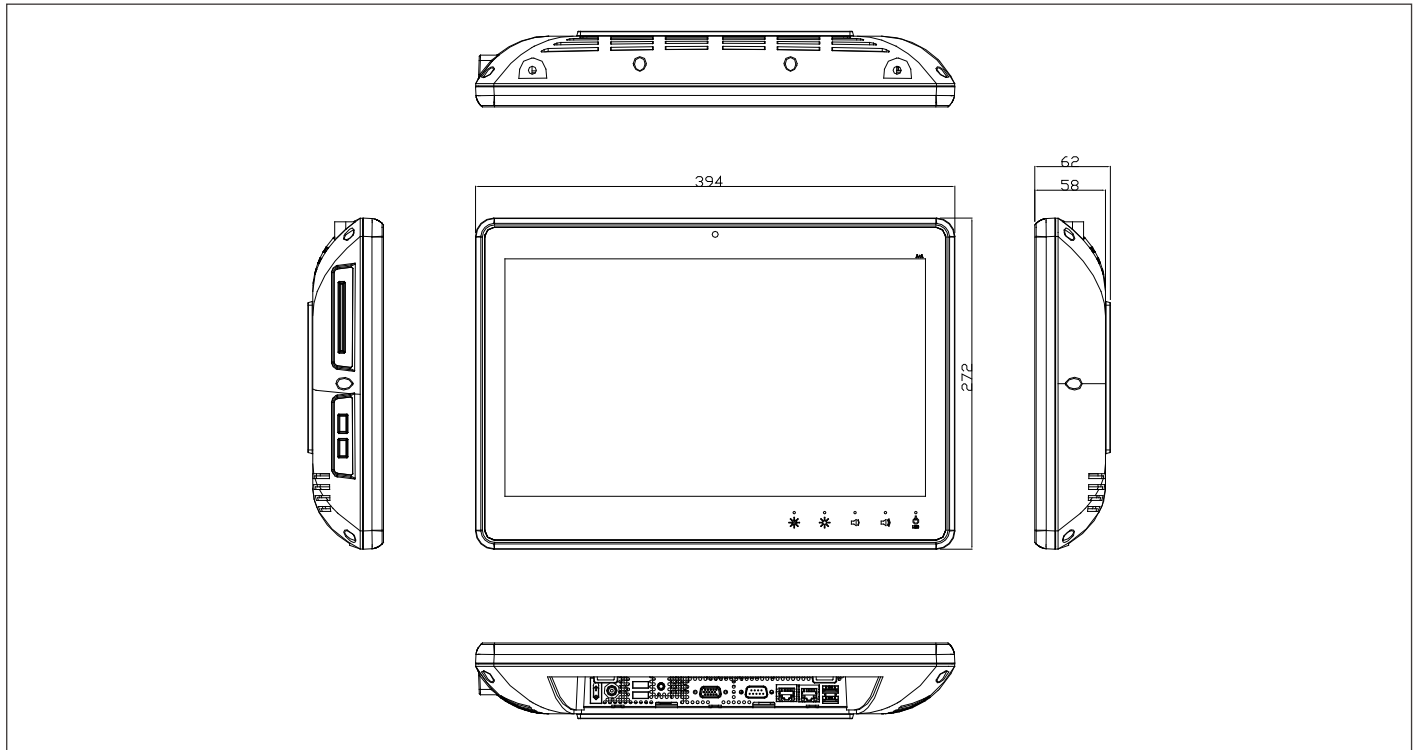
Specifications

System	
Processor	Intel® Atom™ D2550 processor, 1.86 GHz
System Memory	DDR3 SODIMM up to 4 GB, default 2 GB
LCD/CRT controller	Integrated in Intel® NM10 chipset
Ethernet	10/100/1000Base-TX, RJ-45 x 2
I/O Port	RS-232 x 1, USB 2.0 x 4 (2 on side, 2 on rear), Line-out x 1, VGA out x 1, RJ-45 x 2, lockable power input connector, power switch x 1
Storage Disk Drive	2.5" SATA HDD/ CFast™ (internal)
Expansion Slot	Mini-PCIe card x 1
OS support	Windows® XP 32-bit, Windows® 7 32-bit, Linux kernel 2.6.3 or above
Mechanical	
Construction	IP65 / NEMA 4 plastic front bezel, IPX1 plastic chassis
Mounting	VESA 75/100
Dimension	15.5" x 10.7" x 2.44" (394mm x 272mm x 62mm)
Carton Dimension	20.47" x 18.5" x 9.06" (520mm x 470mm x 230mm)
Gross Weight	12.1 lb (5.5 kg)
Environmental	
Operating Temperature	32°F ~ 104°F (0°C ~ 40°C) w/o airflow
Storage Temperature	-4°F ~ 158°F (-20°C ~ 70°C)
Storage Humidity	10%~90% @40°C, non-condensing
Vibration	1 Grms/ 5~ 500Hz/ operation – with HDD
Shock	20 G peak acceleration (11 msec. duration) – with HDD
EMC	CE/FCC class A
Power Supply	
DC Input	DC12V, with lockable power adapter
LCD	
Display Type	15.6" TFT-LCD, LED
Max. Resolution	1366 x 768
Max. Colors	16.7M colors (6/8-bit for R,G,B)
Luminance	400 cd/m ²
Viewing Angle	160°(H), 140°(V)
Back Light	LED
Back Light MTBF (hours)	50,000
Touchscreen	
Type	Projected capacitive multi-touch (2-point)
Light Transmission	90%

ACP-5153

Dimension

Unit: mm



Ordering Information

Part Number	Display Type	Max. Resolution	Luminance	Backlight MTBF	CPU	LAN	USB 2.0	RS-232	RS-232/422/485	Storage	RAM	Display	Expansion	Mounting	Power	Temp.	Touch
ACP-5153HTT-A1-1011	15" TFT-LCD	1366 x 768	400 cd/m ²	50,000	Atom™ D2550, 1.86 GHz	2	6	1	—	CFast™ x 1 2.5" SATA HDD x 1	2 GB	VGA x 1	Mini-Card x 1	VESA 75/100	DC 12V	0°C ~ 40°C (w/o airflow)	Projected capacitive multi-touch (2-point)

Packing List

- HDD Screws
- VESA Screws
- Power Adapter
- Product DVD
- ACP-5153

Optional Accessories

- **1702031802**
Power Cord (US Type)
- **1702031803**
Power Cord (European Type)
- **170203180E**
Power Cord (Japanese Type)
- **P005212000**
Plastic Cover for Cables
- **ARM-WK075-0**
Wallmount Kit
- **9761215303**
Wireless Module (b/g/n)
- **PER-M20**
Desktop Stand w/VESA 75/100

If you want to install more than 2 optional accessories, you have to disable one USB port. Please check with your sales representative if needed.