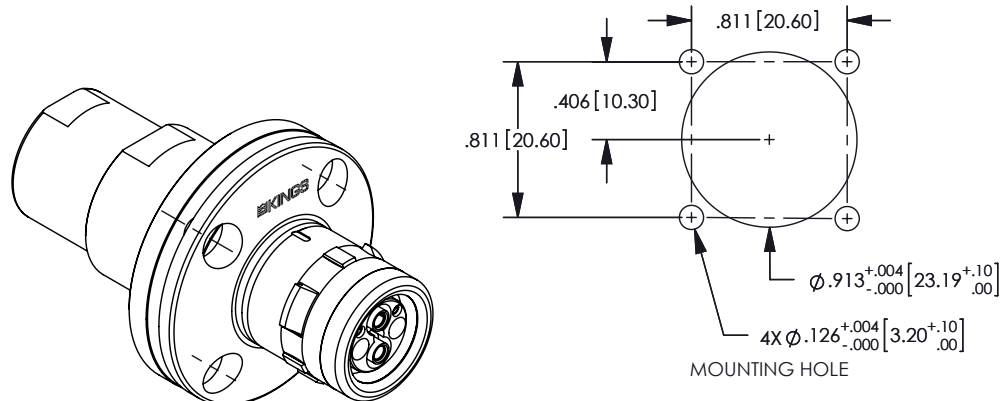
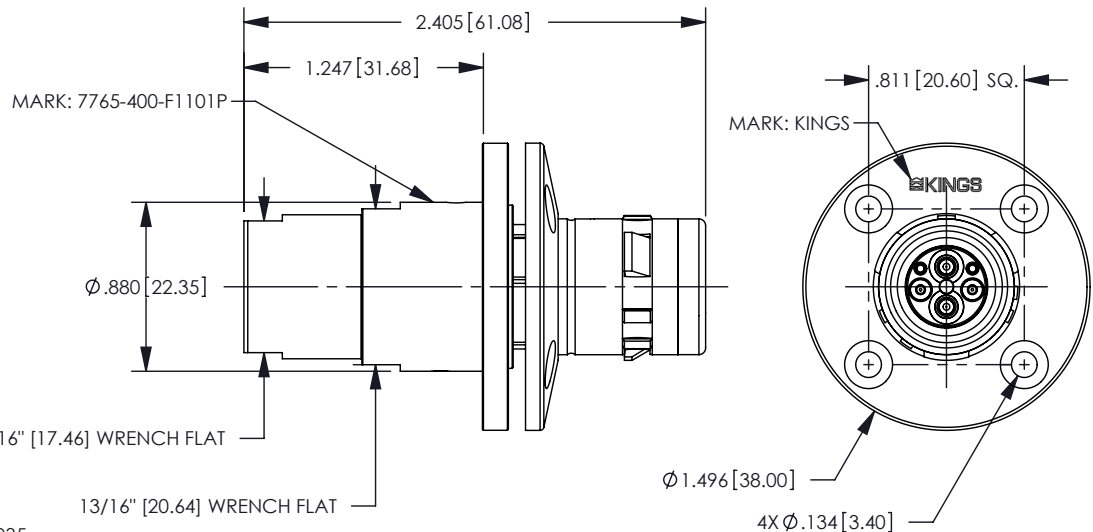


NOTES: UNLESS OTHERWISE SPECIFIED

1. INTERFACE COMPLIANT TO SMPTE 304 SPECIFICATION.
2. MATERIAL SPECIFICATIONS:  
CONTACTS: COPPER ALLOY  
O-RINGS: SILICONE RUBBER  
ALL PLASTIC PARTS: 20% GLASS FILLED POLYPROPYLENE  
ALL OTHER METAL PARTS: 303 STAINLESS STEEL PER ASTM A582
3. FINISH SPECIFICATIONS:  
STAINLESS STEEL PARTS: PASSIVATE  
CONTACTS: .000100 MIN GOLD PER ASTM B488 OVER  
.000080 MIN NICKEL PER AMS-QQN-290 (RoHS)
4. ELECTRICAL SPECIFICATIONS:  
LOW VOLTAGE CONTACTS: 42 - 60 VAC, 1 AMP  
AUX ELECTRICAL CONTACTS: 600 VAC, 10 AMP
5. ENVIRONMENTAL:  
OPERATING TEMPERATURE RATING: -40°C TO 75°C  
NON-OPERATING/STORAGE TEMPERATURE RATING: -40°C TO 85°C  
HUMIDITY: <95 RH (AT 40°C)
6. OPTICAL:  
WAVELENGTH: 1250nm - 1625nm  
INSERTION LOSS: 0.3dB TYPICAL, 0.5dB MAX  
RETURN LOSS: > -45dB, -50dB TYPICAL
7. REPLACEMENT KITS:  
CONTACT KIT: 7760-000-00701Z  
CONTACT KIT WITH CARTRIDGE: 7760-000-00703Z
8. CABLE PREPARATION AND STRIPPING PROCEDURE: CAP-TBD.
9. RED LDPE DUST CAP INCLUDED (NOT SHOWN)
10. CRIMP TOOLING:  
FOR FACTORY APPLICATION USE HAND TOOL KTH-1000 AND DIE KTH-2035  
FOR FIELD APPLICATION USE HAND TOOL KTH-5000 AND DIE KTH-5018
11. ELECTRICAL AND OPTICAL CONTACTS INCLUDED

REV	DESCRIPTION	BY DATE	APPD
01	PRELIMINARY PER ER30232	DRK 01/26/11	XXX



CATALOG P/N: 7765-400-F1101P

<small>PER ASME Y14.5M-1994 UNLESS OTHERWISE SPECIFIED: DIMENSIONS ARE IN INCHES [MM] TOLERANCES: DECIMAL: XX [X.X] ± .01 [0.3] .XXX [X.XX] ± .005 [0.13] .XXXX [X.XXX] ± .XXXX ANGLES: ± 2° SCALE: 1:1</small>				 by WINCHESTER <small>Winchester Electronics Corporation 62 Barnes Industrial Road North Wallingford, Connecticut 06492</small>	
CUSTOMER SALES DRAWING			THIRD ANGLE	TRI LOCK SMPTE PANEL MOUNT 4 HOLE, PLUG	
DRAWN	DATE	APPROVED	DATE	DATE	DATE
DRK	01/27/11	PSM	02/01/11		
APPROVED	DATE	APPROVED	DATE		
JCF	02/01/11	XXX	XX/XX/XX		
<b>A</b> SD7765-400-F1101P				SHT	OF
				1	1
				REV	01