

Rev	AWO #	Description	Date	Appr
-		RELEASED	7/20/11	

6

5

4

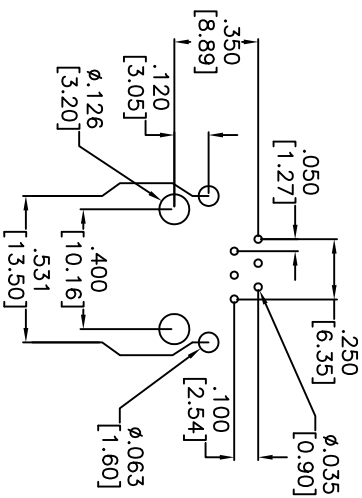
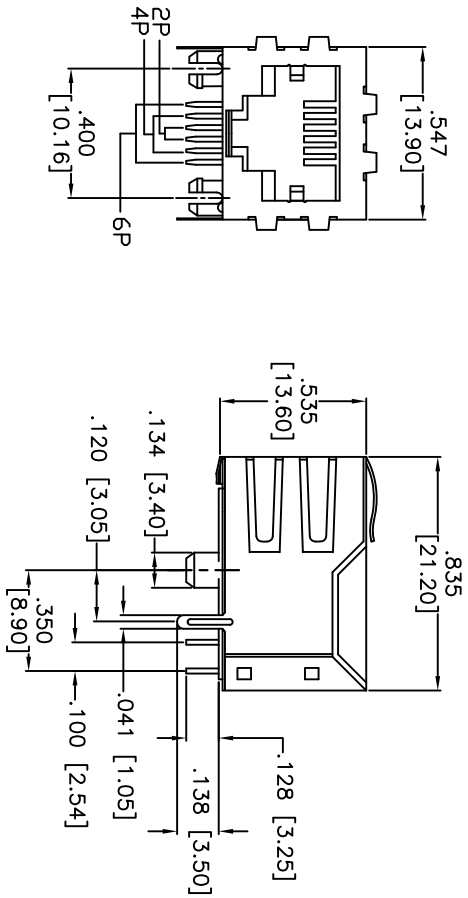
3

2

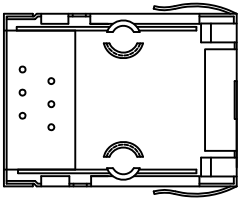
1

APPROVED: _____

DATE: _____ TITLE: _____



RECOMMENDED PCB LAYOUT



SPECIFICATIONS:

Material:

Insulator: PBT, rated UL 94V-0

Insulator color: Black

Contacts: Phosphor Bronze

Shield: Copper Alloy, Nickel plated

Plating:

Gold over Nickel underplate on contact area,

Tin over Copper underplate on PCB tails.

(See chart for thickness)

Electrical:

Operating voltage: 125 VAC max

Current rating: 1.5 Amps max

Contact resistance: 35 mohms max

Insulation resistance: 1000 Mohms min @ 500 VDC

Dielectric withstanding voltage: 1000 VAC for 1 minute

Temperature Rating:

Operating temperature: -40°C to +85°C

Environmental:

Lead free, RoHS compliant.

Recommended soldering temp: 235°C for 5 sec.

X	PLATING
0	15 μ in Gold
1	30 μ in Gold
2	50 μ in Gold

ADAM TECH

909 Rahway Avenue, Union, NJ 07083

Phone: 908-687-5000 Fax: 908-687-5710

TITLE: MODULAR TELEPHONE JACK, 6P6C
RIGHT ANGLE, PCB

UNLESS OTHERWISE SPECIFIED ALL DIMENSIONS ARE INCHES [MM]	
TOLERANCES: EXCEPT AS NOTED	
INCHES	HOLDS
.X ± .10	ØX ± .10
.XX ± .020	ØXX ± .015
.XXX ± .015	ØXXX ± .010
APPROVALS	DATE
DRAWN DY	7/20/11
CHECKED	
APPROVED	

SIZE	PART NO.	REV.
X	MTJ-66GX1-FSD-PG	
REF: S00065T	SCALE: NTS	SHEET 1 OF 1

A

B

C

D

A

B

C

D

6

5

4

3

2

1

