



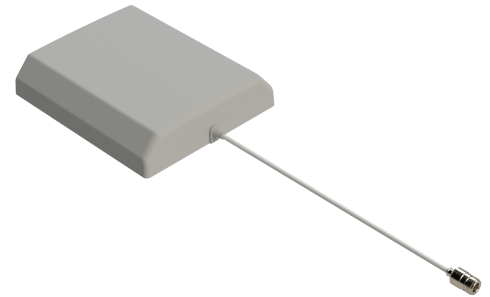
MEA-1710-WM

Indoor Omnidirectional Wall mount Antenna

Part #: 100-00189-01

Description

The MEA-1710-WM is a high performance very robust antenna solution. This is a wall mount antenna covering 698MHz – 2700 MHz featuring N female connector. The MEA-1710-WM antenna is IP65 rated and therefore very suitable for challenging outdoor environments and installations. The omnidirectional antenna MEA-1710-WM is designed for broadband in-building DAS applications in building coverage supporting 4G and 5G wireless communication networks. It is very lightweight antenna ideal for easy wall mounting.



Electrical Specification

Parameter	Specification	
Frequency Range	698-960 MHz	1710-2700 MHz
Gain	7±0.5 dBi	8±1dBi
VSWR	< 1.5	< 1.5
Pattern	Directional	
Polarization	Vertical	
Front-to-back ratio	≥ 8	
H-Beamwidth	95 ±15°	
V-Beamwidth	75 ± 20°	
Impedance	50 Ω	
IM3@2X43dBm	≤ -150 dBc	
Max Power	150 W	

Features

- Wideband Omni antenna
- Frequency bands: 698-960/ 1427-2700MHz
- Compact and light weight
- Excellent performance
- Wall mounting
- N-female connector
- IP65

Applications

- Industrial IoT
- Public Safety & Security
- Utilities & Smart Connected Cities
- Fleet Management & Tracking
- FirstNet
- DAS applications

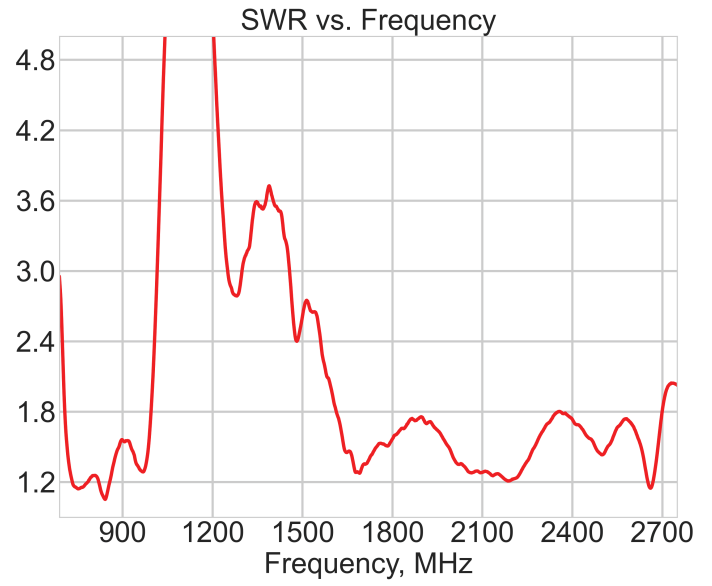
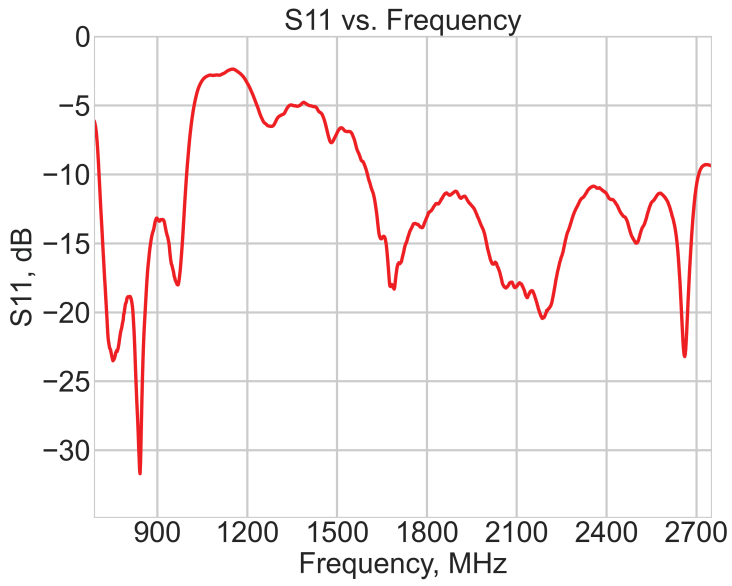
Mechanical Specification

Parameter	Specification
Antenna Dimensions	207 x 177 x 45 mm
Operating Temperature	-40°C to + 70°C
Mounting Type	Wal Mount
Connector	N Female or 4.3/10 Female
Weight	0.35 Kg
Certificates	IP65
Substance Compliance	RoHS



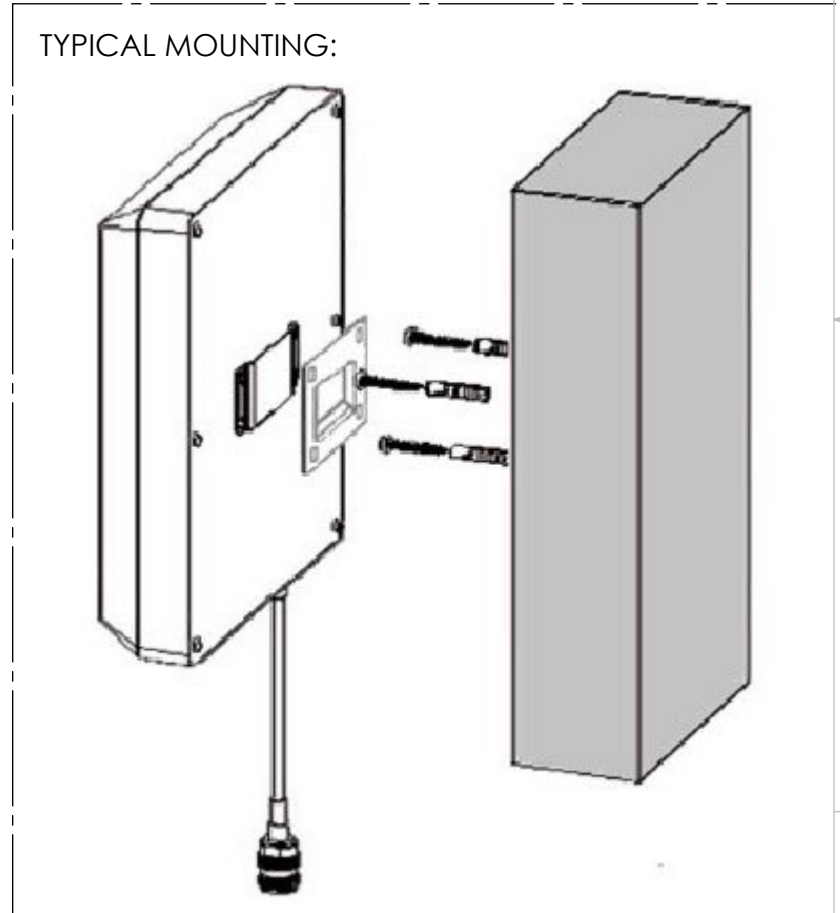
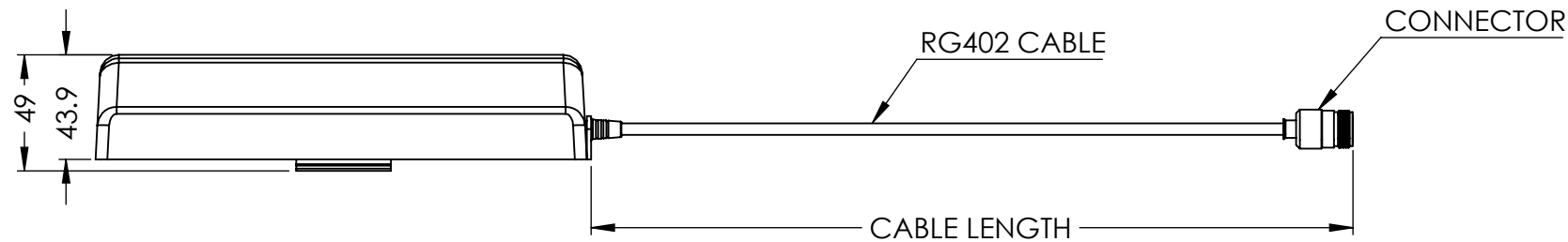
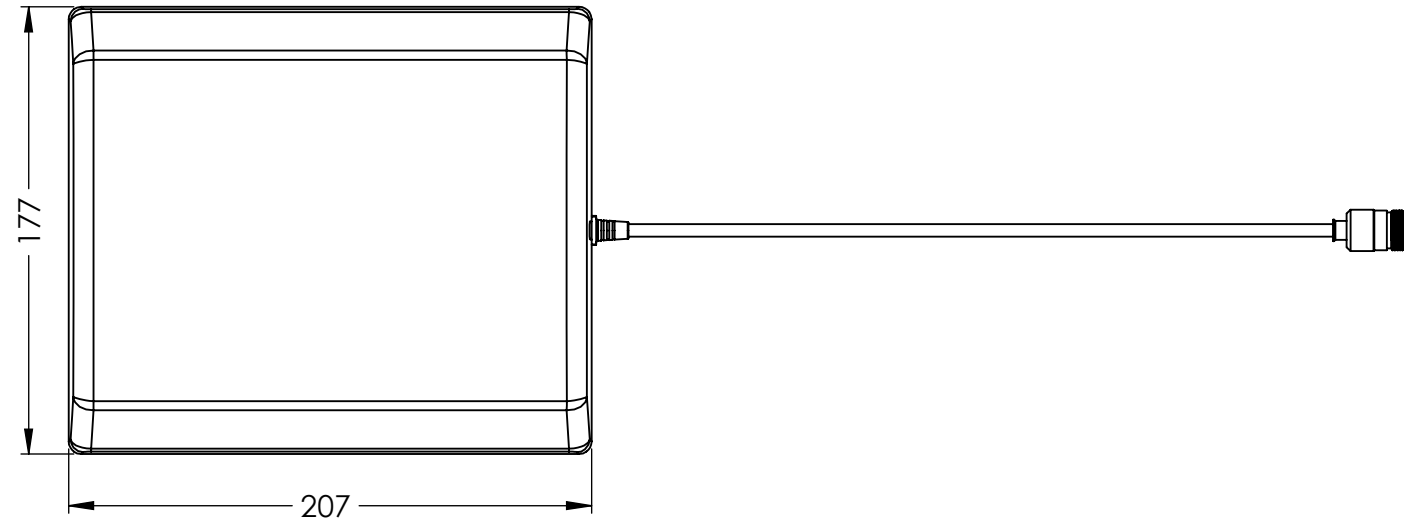
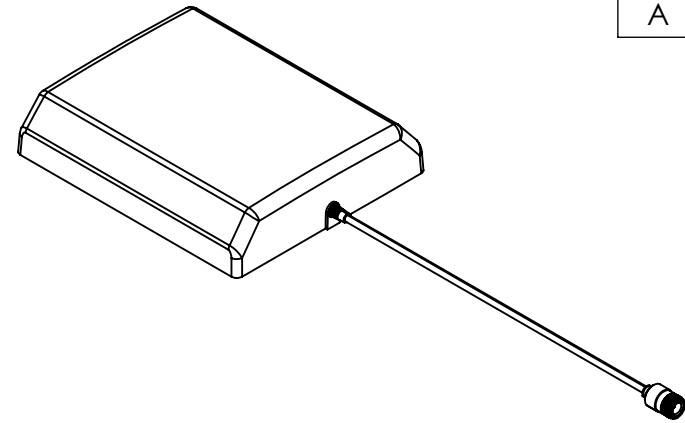
Maxtena Inc.
 7361 Calhoun Place, Suite 102
 Rockville, MD 20855
 1-877-629-8362
 info@maxtena.com

www.maxtena.com



- NOTES:
 1. FREQUENCY: 698-960 MHz, 1710-2700 MHz
 2. DIMENSIONS ARE AFTER MOUNTING
 3. MOUNTING TYPE: WALL MOUNT
 4. RADOME COLOR: WHITE
 5. OPERATING TEMPERTATURE: -40°C ~ +70°C
 6. STORAGE TEMPERTATURE: -55°C ~ +70°C
 7. CERTIFICATION: IP65

DRAWING REVISION HISTORY			
REV	DESCRIPTION	DATE	BY
A	INITIAL RELEASE	2021-11-05	JET



ITEM 100-00189 REVISION HISTORY			
REV	DESCRIPTION	DATE	BY
A	INITIAL RELEASE	2021-11-05	JET

100-00189 CONFIGURATION TABLE			
DASH NO	CABLE TYPE	CABLE LENGTH	CONNECTOR TYPE
-01	RG402	300±20	N-FEMALE
-02	RG402	300±20	4.3-10 FEMALE

UNLESS OTHERWISE SPECIFIED:
 DIMENSIONS ARE IN MM
 TOLERANCES:
 FRACTIONAL ±
 ANGULAR: MACH ± .5° BEND ±
 ONE PLACE DECIMAL ± 1.0
 TWO PLACE DECIMAL ± .50

	NAME	DATE
DRAWN	JET	2021-11-05
CHECKED	ZX	2021-11-05
ENG APPR.	NPC	2021-11-05
MFG APPR.		
Q.A.		

INTERPRET GEOMETRIC TOLERANCING PER:

 THIRD ANGLE PROJECTION
 DO NOT SCALE DRAWING

CAD MAINTAINED. CHANGES SHALL BE INCORPORATED BY THE DESIGN ACTIVITY.

MAXTENA, INC

TITLE: 100-00189 MEA-1710-WM

SIZE DWG. NO. REV
B 117-00486-01 **A**

CAGE CODE: 5KQH7 SCALE: NONE SHEET 1 OF 1