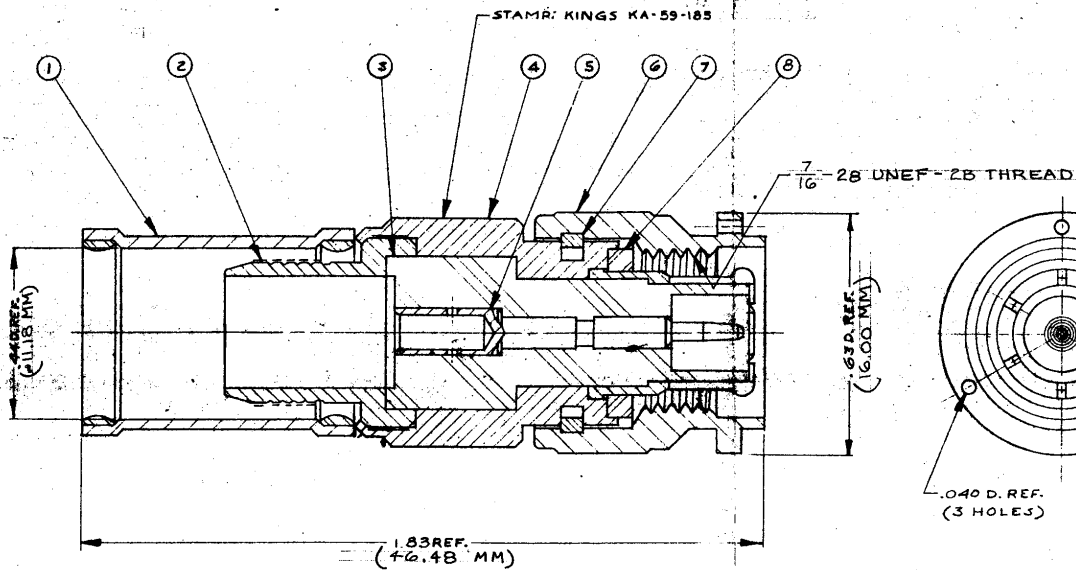


DASH NO.	DESCRIPTION	MADE FROM
----------	-------------	-----------



NOTES:

- FOR USE WITH RG-9, 214, U.F. BA-6903 CABLE.
- FOR CABLING INSTRUCTIONS SEE CP-5402.
- FOR CABLE TRIMMING USE KTJ-150 & KTD-138.
- FOR CRIMPING USE DIE SIZE 79.
- ITEMS 1, 2, 4 & 6 HAVE TR-5 FINISH
- MARK PACKAGE: KINGS KA59-185
XXXX (DATE CODE)

UNLESS OTHERWISE SPECIFIED:

- | | |
|--|--|
| 1. TOLERANCES: FRACTIONS & 2 PLACE DECIMALS ± .010 | 2. REMOVE ALL BURRS, BREAK SHARP EDGES .005 MAX. |
| 3 PLACE DECIMALS ± .004 | ANGLES ± 0° 30' |
| T. I. R. CONCENTRICITY OF ANY 2 DIAMETERS MAY NOT EXCEED HALF THE SUM OF THEIR TOLERANCES. | 4. SURFACE ROUGHNESS 83 MICROINCHES RMS MAX. |
| | 5. ALL DIMENSIONS PRIOR TO PLATING. |

8	1	GASKET	
7	1	C-RING	
6	1	COUPLING NUT	
5	1	TNC CAPTIVE CRIMP CONTACT M	1-761-6-MA9
4	1	BODY ASSEMBLY	
3	1	INSULATOR	
2	1	K-GRIP	
1	1	W/PK GRIP SLEEVE	N-59-140-B-M06
ITEM	REQ'D	DESCRIPTION	PART NO.

KA-59-185	REVISIONS	
	ISSUE	CHANGES
	0	ER-14254 GA 5 AUG 75
	1	CN 14968A GA 30 OCT 75
	2	CN 15700C MJB 20 APR 76
	3	CN 25149C G.J.G. 29 SEP 83
	4	CN 29822 C JCA 16 MAY 88
5	CN 31044 C KA 9 AUG 89	
6	CN 31109 A AJ 13 SEP 89	
USED ON:		
REF:		
FINISH		
SPEC. KER 10004		
MATL		
SPEC.		
TNC PLUG		
DRAWN GINO	DATE 31 JUL 75	
APPR. LI	DATE 5 AUG 75	
KINGS ELECTRONICS		
40 MARBLEDALE ROAD		
TUCKAHOE, N. Y. 10707		
KA-59-185		

S-D