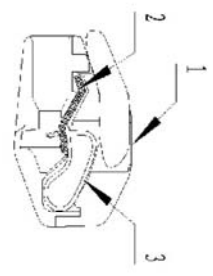
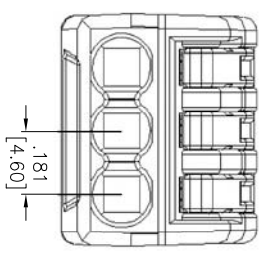
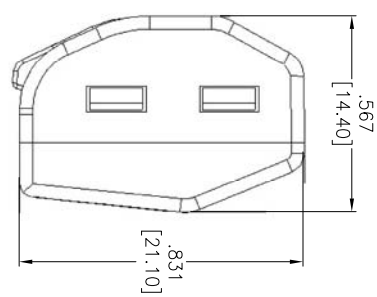
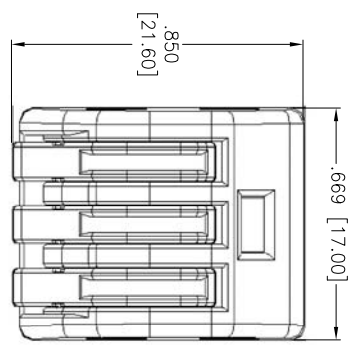


Rev	AWO #	Description	Date	Appr
-		RELEASED	8/3/15	

APPROVED: \_\_\_\_\_  
 DATE: \_\_\_\_\_ TITLE: \_\_\_\_\_



**SPECIFICATION:**

**Material:**  
 Insulator: PA66, Rated UL-94V-0  
 Insulator color: Black  
 Contact: Phosphor Bronze, T=0.8mm, Tin plated  
 Spring: SUS 301, T=0.4mm  
**Electrical:**  
 Operating voltage: 600V  
 Current rating: 24A  
 Contact resistance: 20 mohms max  
 Insulation resistance: 500 Mohms min, DC 500V  
 Dielectric withstanding voltage: 2000VAC/500VDC  
 Wire range: 0.75-2.5mm<sup>2</sup>  
 Maximum tensile strength: 8kg~10kg  
**Temperature Rating:**  
 Operating temperature: -40°C to +105°C  
**Environmental:**  
 Lead free, RoHS compliant.

UNLESS OTHERWISE SPECIFIED  
 ALL DIMENSIONS ARE INCHES [MM]  
 TOLERANCES: EXCEPT AS NOTED  
 INCHES HOLE SIZES  
 .X ± .10 ØXX ± .10  
 .XX ± .020 ØXXX ± .015  
 .XXX ± .015 ØXXXX ± .010

**ADAM TECH**  
 909 Rahway Avenue, Union, NJ 07083  
 Phone: 908-687-5000 Fax: 908-687-5710

**TITLE**  
 SPRING CLAMP BLOCK, 3 POLES

APPROVALS	DATE	SIZE	PART NO.	REV.
DRAWN AY	8/3/15	X	ADT-AN9090-03	-
CHECKED TW	8/3/15	X		
APPROVED				

