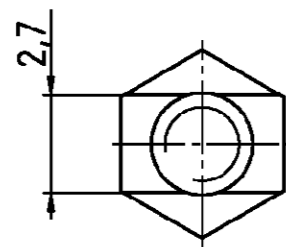
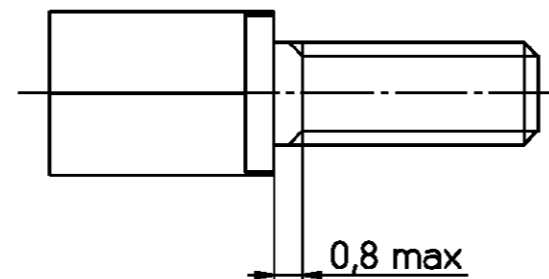
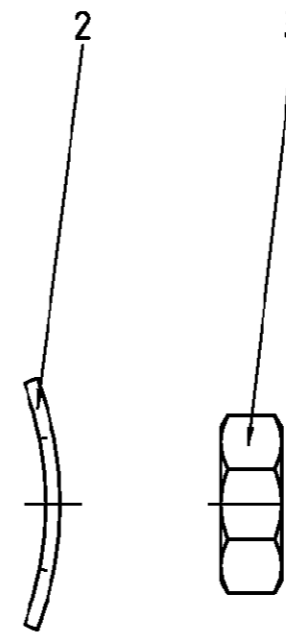
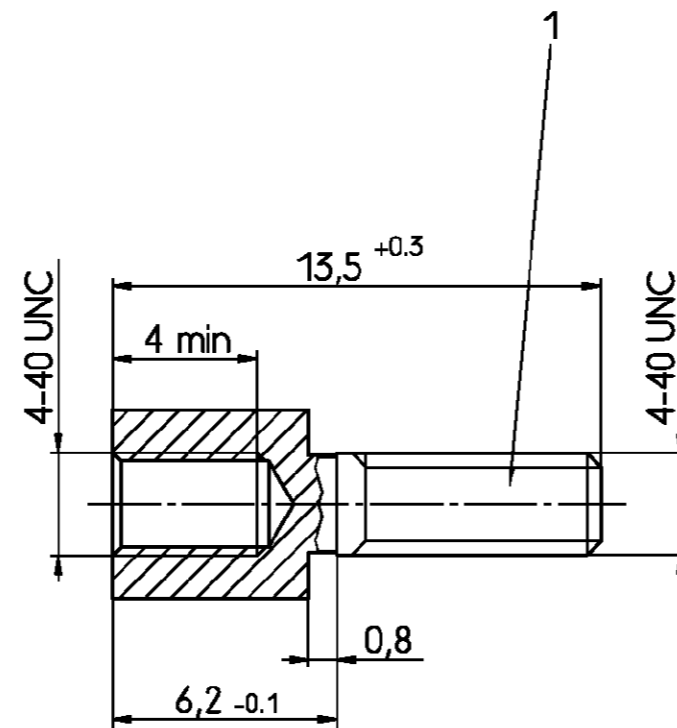


THIS INFORMATION IS CONFIDENTIAL AND PROPRIETARY TO TYCO ELECTRONICS CORPORATION AND ITS WORLDWID SUBSIDIARIES AND AFFILIATES. IT MAY NOT BE DISCLOSED TO ANYONE, OTHER THAN TYCO ELECTRONICS PERSONEL, WITHOUT WRITTEN AUTHORIZATION FROM TYCO ELECTRONICS CORPORATION, HARRISBURG, PENNSYLVANIA USA.

PROPRIETARY



Sechskant SW 4,5



Aktuelles Sachnummern.
Kontaktieren Sie Tyco Electronics
für Weitere Varianten

| Altes Sachnummer | Tyco Sachnummer |
|------------------|-----------------|
| V42254-A152-V1 | 2-1393560-7 |
| V42254-A152-V2 | 2-1393560-8 |

| | | | | | |
|--|------------------------|--------------------------------------|------|----------------------|--|
| tyco TYCO ELECTRONICS CORPORATION | | SCALE 5:1 | | WEIGHT | |
| Electronics OOSTKAMP - BELGIUM | | DIMENSIONS IN MM | | MATERIAL | |
| DATE 29.09.88 | | PART NAME | | Bolzensatz | |
| NAME De Petter | | PART NO. | | V42254-A152-V1-* -27 | |
| DEP. PD Com | | TOLERANCE UNLESS SPECIFIED OTHERWISE | | SHT. 1- | |
| A WO 01/7022 19.12.00 VS | | Customer Drawing Nr. C 2-1393560-7 | | OF 1 | |
| 03 | WO 92/030 07.11.91 RST | | | | |
| 02 | WB 89/188 05.07.89 VH | | | | |
| 01 | 07.10.88 DPI | | | | |
| REV. | CHANGE ORDER | DATE | APP. | | |