

**PLEASE CHECK WWW.MOLEX.COM FOR LATEST PART INFORMATION**

**Part Number:** [0553474065](#)  
**Status:** **Active**  
**Description:** HMC™ Rectangular Industrial Male Housing, Single-Module, 40 Circuits, Type B Polarization

**Documents:**

[Drawing \(PDF\)](#) [RoHS Certificate of Compliance \(PDF\)](#)  
[Product Specification PS-54478-001 \(PDF\)](#)

**Agency Certification**

CSA LR19980  
 UL E29179

**General**

Product Family I/O Connectors  
 Series [55347](#)  
 Application Panel-Mount, Wire-to-Wire  
 Component Type Housing  
 Product Name HMC™  
 Type N/A

**Physical**

Boot Color N/A  
 Circuits (Loaded) N/A  
 Circuits (maximum) 40  
 Durability (mating cycles max) 50  
 Flammability 94V-0  
 Gender Male  
 Lock to Mating Part Yes  
 Material - Plating Mating n/a  
 Number of Rows 4  
 Orientation Vertical  
 PCB Locator No  
 Packaging Type Bag  
 Panel Mount N/A  
 Pitch - Mating Interface (in) 0.177 In  
 Pitch - Mating Interface (mm) 4.50 mm  
 Pitch - Term. Interface (in) 0.177 In  
 Pitch - Term. Interface (mm) 4.50 mm  
 Polarized to Mating Part No  
 Polarized to PCB N/A  
 Ports 1  
 Surface Mount Compatible (SMC) No  
 Temperature Range - Operating -40°C to +125°C  
 Termination Interface: Style N/A  
 Waterproof / Dustproof Yes  
 Waterproof / Dustproof Type IP65

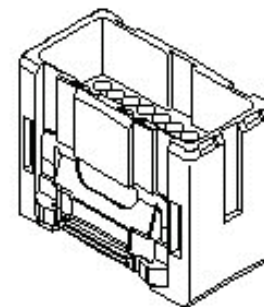
**Electrical**

Current - Maximum per Contact 10A  
 Shielded No  
 Voltage - Maximum 300V DC

**Material Info**

**Reference - Drawing Numbers**

Product Specification PS-54478-001



*image - Reference only*

*Series*

**EU RoHS**

**ELV and RoHS  
 Compliant**  
**REACH SVHC**  
 Not Reviewed  
**Halogen-Free  
 Status**  
 Not Reviewed

**China RoHS**



**Need more information on product  
 environmental compliance?**

Email [productcompliance@molex.com](mailto:productcompliance@molex.com)  
 For a multiple part number RoHS Certificate of  
 Compliance, [click here](#)

Please visit the [Contact Us](#) section for any  
 non-product compliance questions.

**Search Parts in this Series**

[55347Series](#)

**Mates With**

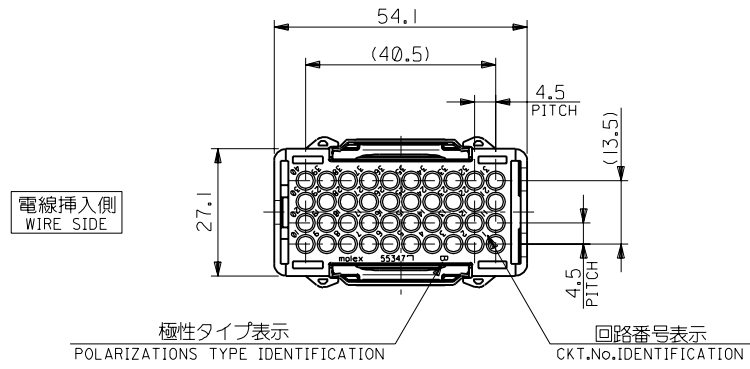
[54478-4065](#) housing

**Use With**

[58783-0011](#) panel-mount bracket, [55124](#)  
 terminal, [58782-0011](#) hood bracket

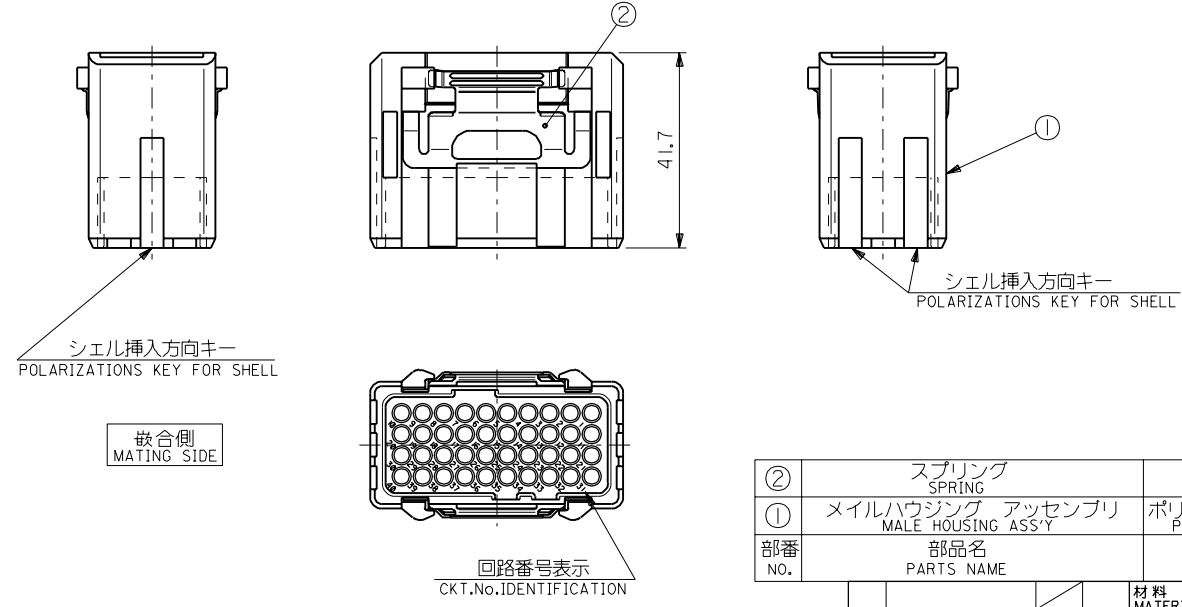
This document was generated on 04/02/2010

**PLEASE CHECK [WWW.MOLEX.COM](http://WWW.MOLEX.COM) FOR LATEST PART INFORMATION**



**M+**  
NOTES

1. 嵌合相手 : 54478-4065  
MATES WITH : 54478-4065
2. 適用端子 : 55124-4\*\*\*  
APPLICABLE PIN CONTACT : 55124-4\*\*\*
3. 適用シェルアッセンブリ  
APPLICABLE SHELL ASS'Y  
 プラグ : 58782-0011  
 PLUG : 58782-0011  
 リセプタクル : 58783-0011  
 RECEPTACLE : 58783-0011



②	スプリング SPRING	ステンレス STAINLESS STEEL	2	55347-4065	40
①	メイルハウジング アッセンブリ MALE HOUSING ASS'Y	ポリカーボナイト UL94V-0 グレー POLYCARBONATE UL94V-0 GRAY	1		
部番 NO.	部品名 PARTS NAME	材質 MATERIAL	個数 QUAN.	製品番号 ENG. NO.	極数 CKTS.

材料 MATERIAL		表参照 SEE TABLE	
仕上げ FINISH		—#	
適用電線範囲 WIRE RANGE		—#	
被覆外径 INS. RANGE		—#	
DRAWN BY	CHK'D BY		
RELEASED (J090683)	Y.1		
REVISION RECORD	DR. DATE	APP'D	SCALE 1-1
一般公差 GENERAL TOLERANCES	記号 LTR	変更内容 REVISION RECORD	尺 DATE

**molex** MOLEX-JAPAN CO.,LTD.  
日本モレックス株式会社

**REVISE ONLY ON CAD SYSTEM**

TITLE 名称  
ROBOT CONN.  
MALE HS'G ASS'Y  
(嵌合極性タイプ B)  
(MATING POLARIZATIONS TYPE B)

DWG. NO. SD-55347-4065

REV 0