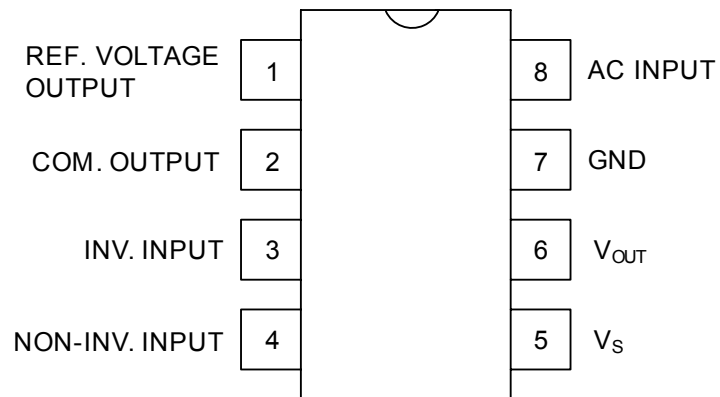
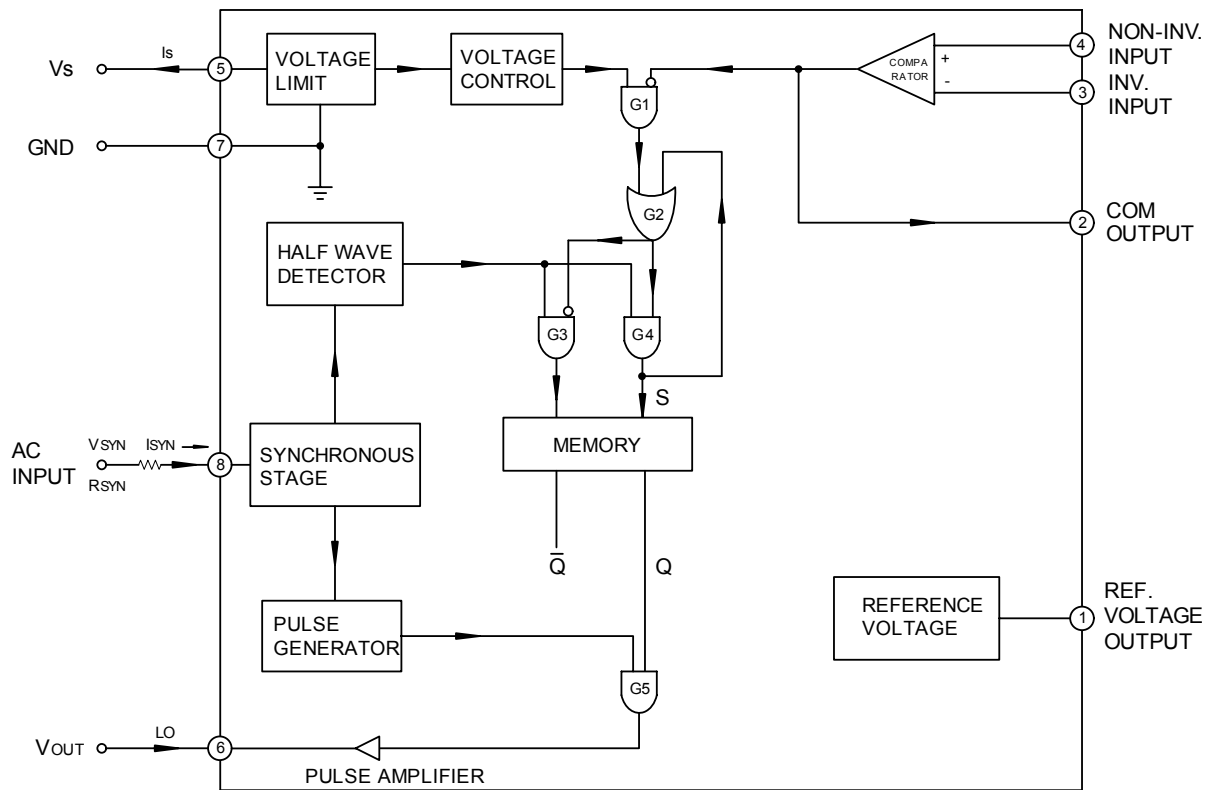




### ■ PIN CONFIGURATION



■ BLOCK DIAGRAM



■ ABSOLUTE MAXIMUM RATINGS (Ta=25 )

PARAMETER	SYMBOL	RATINGS	UNIT
Supply Voltage	-Vs	8.2	V
Input Voltage	V <sub>IN</sub>	≤  V <sub>s</sub>	V
Supply Current	-I <sub>s</sub>	40(average)	mA
Synchronous Current	I <sub>SYN</sub>	5.0(rms)	mA
Power Dissipation	P <sub>D</sub>	350	mW
Junction Temperature	T <sub>J</sub>	125	°C
Operating Ambient Temperature	T <sub>OPR</sub>	-20 ~ +70	°C
Storage Temperature	T <sub>STG</sub>	-65 ~ +150	°C

Note: Absolute maximum ratings are those values beyond which the device could be permanently damaged.

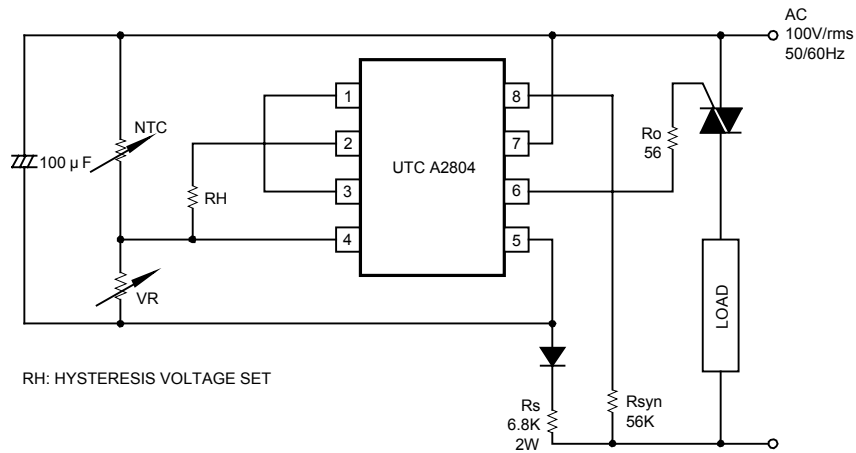
Absolute maximum ratings are stress ratings only and functional device operation is not implied.

■ ELECTRICAL CHARACTERISTICS (Vs=8.0V, V<sub>SYN</sub>=100 ~ 115Vrms, Ta=25 , f=50/60Hz)

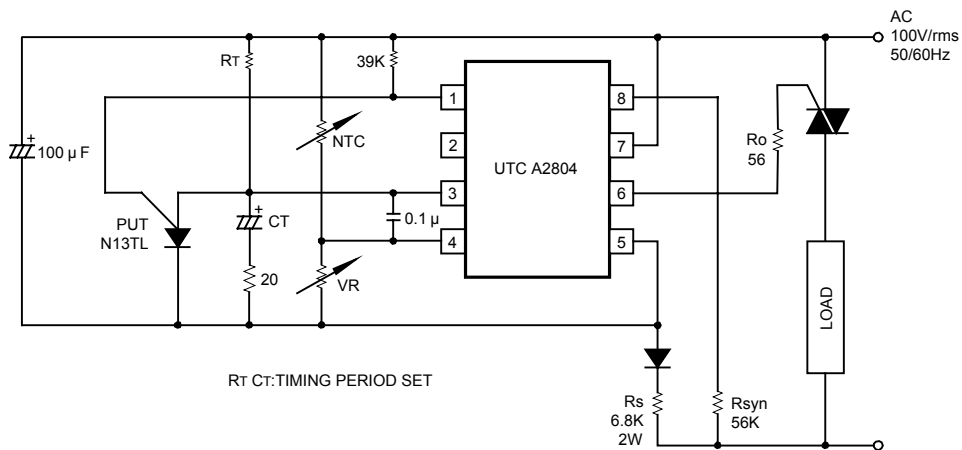
PARAMETER	SYMBOL	PIN NO.	TEST CONDITIONS	MIN	TYP	MAX	UNIT
Output Voltage	V <sub>OUT</sub>	6	I <sub>OUT</sub> ≤200mA	4.2	5.2		V
Input Offset Voltage	V <sub>I(OFF)</sub>	3, 4			2.0	5.0	mV
Supply Voltage 1	-Vs1	5	I <sub>s</sub> =2.5mA, R <sub>SYN</sub> =56K	7.2		8.4	V
Supply Voltage 2	-Vs2	5	I <sub>s</sub> =20mA, R <sub>SYN</sub> =56K	7.2		8.6	V
Common Mode Input Voltage Range	-V <sub>I(CM)</sub>	3, 4		0		5.7	V
Reference Voltage	-V <sub>R</sub>	1	I <sub>R</sub> ≤1μA		3.6		V
Circuit Current	-I <sub>s</sub>	5	R <sub>SYN</sub> =56K		2.0	2.5	mA
Synchronous Current	I <sub>SYN</sub>	8		0.3			mA
Output Current	I <sub>OUT</sub>	6	R <sub>OUT</sub> ≤25	200	250		mA
Output Leakage Current	I <sub>LO</sub>	6				2.0	μA
Input Bias Current	I <sub>I(BIAS)</sub>	3, 4			0.5	1.0	μA
Output Leakage Current	I <sub>LC</sub>	2				0.2	μA
Output Pulse Width	T <sub>PULSE</sub>	6	R <sub>SYN</sub> =56K		200		μs

## ■ TYPICAL APPLICATIONS

### ON-OFF TEMPERATURE CONTROL



### TIME PROPORTIONAL TEMPERATURE CONTROL



UTC assumes no responsibility for equipment failures that result from using products at values that exceed, even momentarily, rated values (such as maximum ratings, operating condition ranges, or other parameters) listed in products specifications of any and all UTC products described or contained herein. UTC products are not designed for use in life support appliances, devices or systems where malfunction of these products can be reasonably expected to result in personal injury. Reproduction in whole or in part is prohibited without the prior written consent of the copyright owner. The information presented in this document does not form part of any quotation or contract, is believed to be accurate and reliable and may be changed without notice.