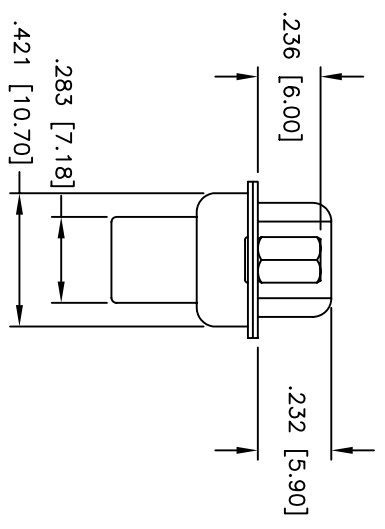
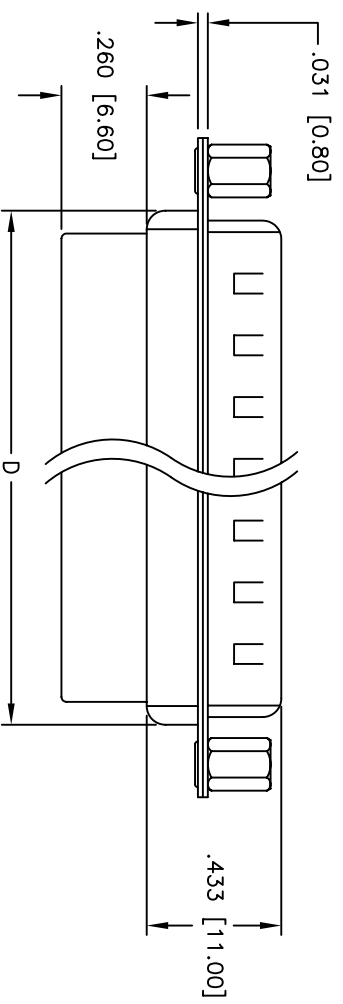
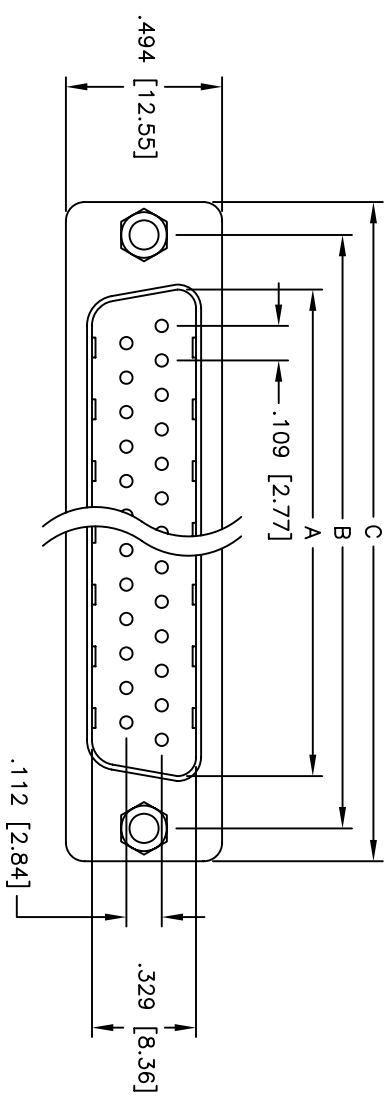


| Rev | AWO # | Description | Date | Appr |
|-----|-------|-------------|---------|------|
| - | | RELEASED | 4/29/05 | |

APPROVED: _____
 DATE: _____ TITLE: _____



| DXXX | NO. OF CONTACTS | DIMENSIONS | | | |
|------|-----------------|---------------|---------------|---------------|---------------|
| | | A | B | C | D |
| DE09 | 9 | .666 [16.92] | .984 [24.99] | 1.213 [30.81] | .759 [19.28] |
| DA15 | 15 | .994 [25.25] | 1.312 [33.32] | 1.541 [39.14] | 1.091 [27.70] |
| DB25 | 25 | 1.534 [38.96] | 1.852 [47.04] | 2.088 [53.04] | 1.618 [41.10] |
| DC37 | 37 | 2.182 [55.42] | 2.500 [63.50] | 2.729 [69.32] | 2.256 [57.30] |

ADAM TECH

909 Rahway Avenue, Union, NJ 07083
 Phone: 908-687-5000 Fax: 908-687-5710

TITLE: D-SUB PLUG, CRIMP AND POKE
 RIVETED #4-40 JACKSCREWS

SPECIFICATIONS:
 Material: Insulator: PBT, glass reinforced, rated UL 94V-0
 Insulator color: Black
 Contacts: Phosphor Bronze
 Shell: Steel, Tin plated
 Hardware: Brass, Nickel plated
 Plating:
 Gold flash over Nickel underplate overall
 Electrical:
 Operating voltage: 250 VAC max
 Current rating: 5 Amps max
 Contact resistance: 20 mohms max
 Insulation resistance: 5,000 Mohms min
 Dielectric withstanding voltage: 1,000 VAC for 1 minute
 Temperature Rating:
 Operating temperature: -65°C to +125°C
 Environmental:
 Lead free, RoHS compliant

UNLESS OTHERWISE SPECIFIED
 ALL DIMENSIONS ARE INCHES [MM]
 TOLERANCES: EXCEPT AS NOTED
 INCHES Holes ±.10
 .X ±.10 ØX ±.10
 .XX ±.020 ØXX ±.015
 .XXX ±.015 ØXXX ±.010
 APPROVALS DATE

| | | |
|----------|----|---------|
| DRAWN | SS | 4/29/05 |
| CHECKED | | |
| APPROVED | | |

| | | |
|------|------------|--------------|
| SIZE | PART NO. | REV. |
| X | DXXX+PR-JS | - |
| REF: | SCALE: NTS | SHEET 1 OF 1 |