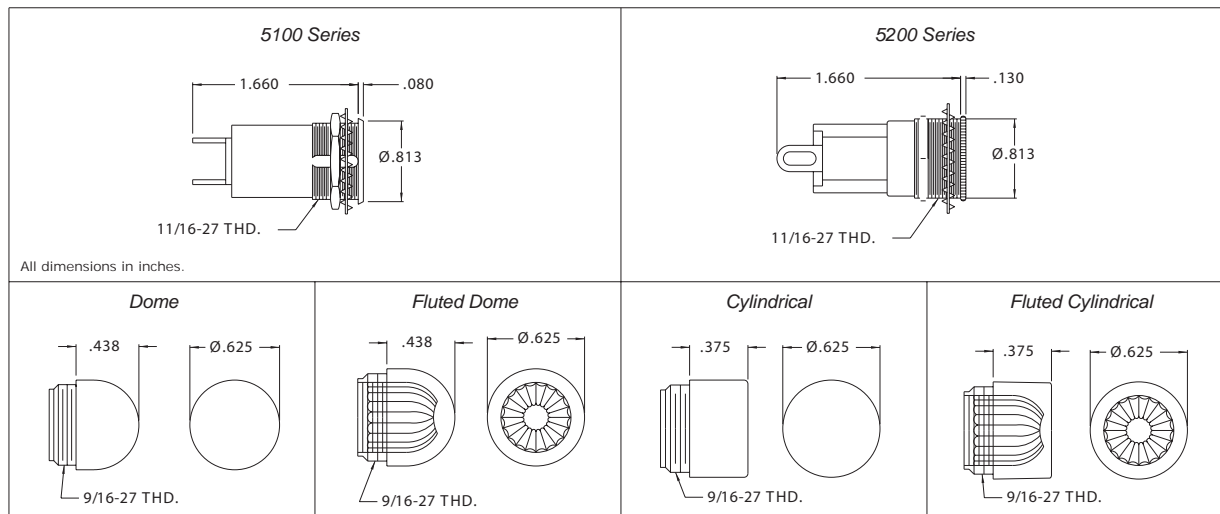




## Miniature Relampable Indicator Light

### DESCRIPTION AND FEATURES



The Chicago Miniature Lamp Miniature Indicator Lights are versatile, industry standard, front panel indicators capable of accepting a variety of T-2 and T-3 1/4 miniature bayonet based incandescent and neon lamps. Available in the deluxe 5200 Series and the very cost efficient 5100 Series. These indicator lights accept a variety of different lens styles and colors, and are excellent for providing a large, bright, easily noticed status indicator. The lamp is not included with this indicator light; please order the required lamp separately.

### SPECIFICATIONS

Part Number:	Description	Lens Part No:	Description
5100-822	solder lug terminals, no resistor	25P-306*	Transparent dome
5100-823	screw type terminals, no resistor	25P-307**	Translucent dome
5100-824	.250 Q.C. terminals, no resistor	25P-326*	Transparent fluted dome
5200-222	solder lug terminals, no resistor	25P-606*	Transparent cylindrical
5200-232	solder lug terminals, built-in 22K ohm resistor	25P-607**	Translucent cylindrical
5200-242	solder lug terminals, built-in 100K ohm resistor	25P-626*	Transparent fluted cylindrical
Mounting Hole:	.688		
Mounting Centers:	.969		
Maximum Panel Thickness:	.406		
Housing/Lens Material:	5100 Series-Glass filled polyester, 5200 Series-Phenolic		
Bezel:	(5100 Series only): stainless steel		
Mounting Bushing/Bezel:	(5200 Series only): chrome plated brass		
Hex Nut:	Zinc plated steel		
Lockwasher:	Chromate treated steel		
Lenses:	High temperature lexan		
Approvals:	UL listed, CSA certified (except Q.C. terminal versions)		
Electrical Rating:	up to 250 Volts, up to 3 Watts (contact factory for specific product rating)		

Chicago Miniature Lamp reserves the right to make specification revisions that enhance the design and/or performance of the product