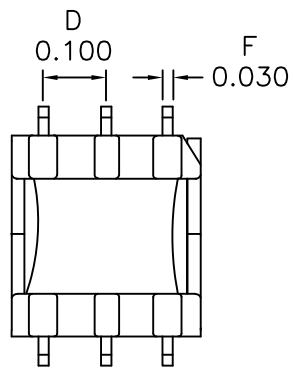
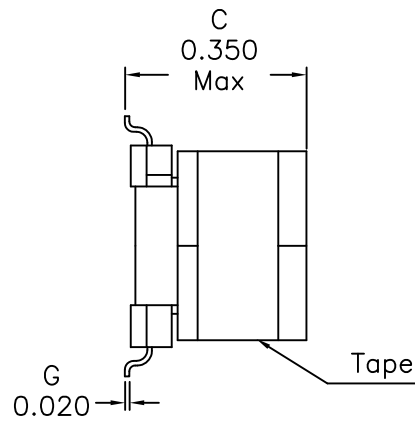
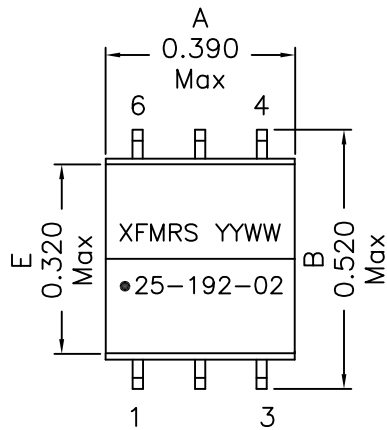
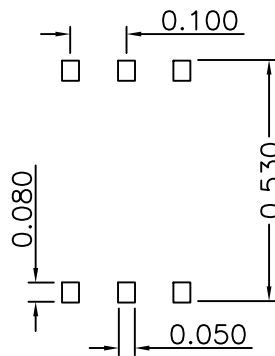


## 1. Mechanical Dimensions:



BOTTOM VIEW



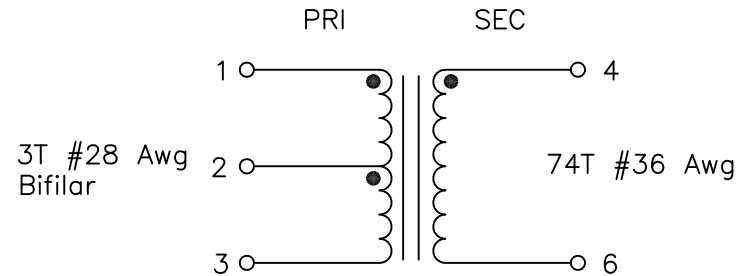
Suggested Pad Layout

### Notes:

- Solderability: Leads shall meet MIL-STD-202G, Method 208H for solderability.
- Flammability: UL94V-0
- ASTM oxygen index: > 28%
- Insulation System: Class F 155°C. UL file E151556
- All listed parameters are to be within tolerance from -40°C to +85°C unless otherwise noted
- Storage Temperature Range: -55°C to +125°C
- Aqueous wash compatible
- SMD Lead Coplanarity:  $\pm 0.004''$  (0.102mm)
- Electrical and mechanical specifications 100% tested
- RoHS Compliant Component
- Recommended IR Reflow peak temp of 250°C Max.

DOC. REV: 02/3

## 2. Schematic:



## 3. Electrical Specifications: @25C

- OCL: Pins 4-6 420uH $\pm$ 8% @235KHz 0.1V  
 Q: Pins 4-6 80 Min @235KHz 0.1V  
 LL: Pins 4-6 40uH Max @235KHz 0.1V, Short PRI  
 DCR: Pins 1-2 & 2-3 0.018 Ohms Max  
 DCR: Pins 4-6 1.65 Ohms $\pm$ 15%  
 TURNS RATIO: Pins (1-3):(4-6)=1.00:12.33 $\pm$ 3%  
 HIPOT: 1000Vac, PRI to SEC

**XFMR5 Inc**  
www.XFMR5.com

Title:

TRANSFORMER, EP7 SMT

UNLESS OTHERWISE SPECIFIED  
TOLERANCES:  
.xxx  $\pm$ 0.010  
Dimensions in INCH

P/N: 25-192-02	REV. 02
DWN. Yuan	Jan-08-15
CHK. YK Liao	Jan-08-15
APP. DDC	Jan-08-15

SHT 1 OF 1

**PROPRIETARY**

Document is the property of XFMR5 Group & is not allowed to be duplicated without authorization.