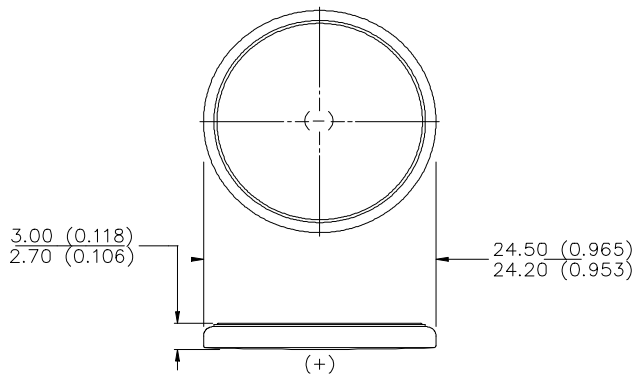


ENERGIZER NO. CR2430



Industry Standard Dimensions in mm (inches)

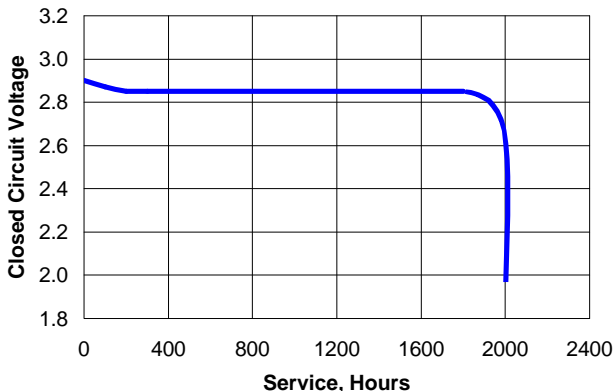


THIS BATTERY HAS UNDERWRITERS LABORATORIES COMPONENT RECOGNITION

Chemical System: Lithium / Manganese Dioxide (Li/MnO₂)

Designation: ANSI / NEDA-5011LC, IEC-CR2430
Battery Voltage: 3.0 Volts
Average Weight: 4.6 grams (0.16 oz.)
Volume: 1.3 cubic centimeters (0.08 cubic inch)
Average Capacity: 290 mAh to 2.0 volts
 (Rated at 10k ohms continuous at 21°C)
Maximum Reverse Charge Current: 1 microampere
Energy Density: 183 milliwatt hr/g, 647 milliwatt hr/cc

TYPICAL DISCHARGE CURVE
 Simulated Test @ 21°C (70°F)



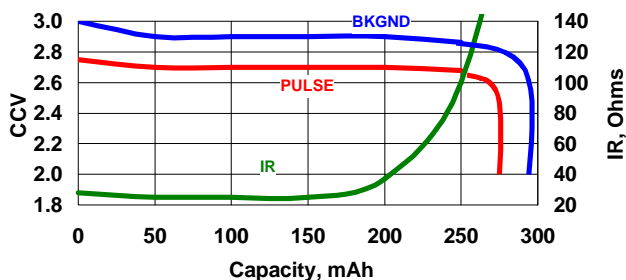
Simulated Application Test
 Estimated Average Service at 21°C (70°F)

| Schedule: | Typical Drains at 2.9V (microamperes) | Load (ohms) | Cutoff Voltage |
|--------------|---------------------------------------|-------------|----------------|
| | | | 2.0V |
| 24 hours/day | 145 | 20,000 | 2,000 Hours |

INTERNAL RESISTANCE CHARACTERISTICS
 Pulse Test @ 21°C (70°F)

Schedule: Continuous for background
 2 seconds X 12 times/day for pulse
Typical Background Drain @ 2.9V (milliamps):
 0.29 milliampères
Typical Pulse Drain @ 2.6V (milliamps):
 9.30 milliampères
Background Load:
 10k ohms
Pulse Load:
 300 ohms

IR CHARACTERISTICS
 Pulse Test @ 21°C (70°F)



Important Notice

This data sheet contains information specific to batteries manufactured at the time of its publication.

Contents herein do not constitute a warranty.

Copyright © Eveready Battery Co. Inc. - All Rights Reserved