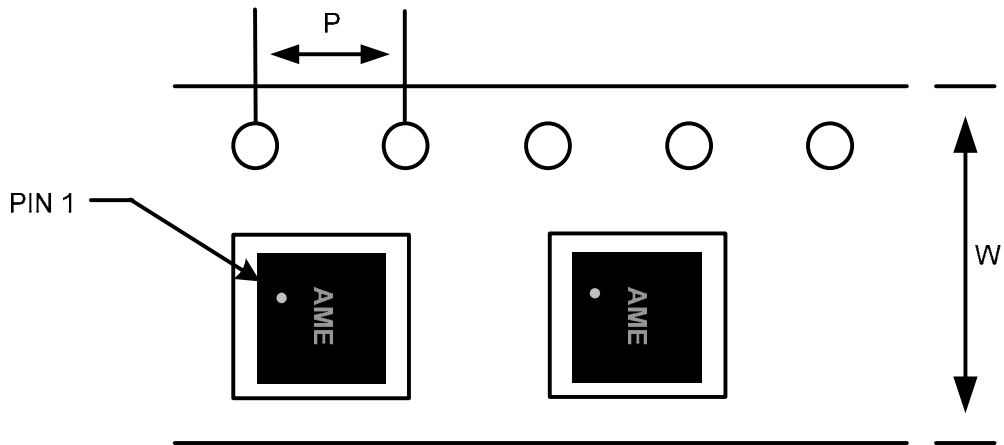


QFN-20A
(4x4x0.75mm)



Carrier Tape, Number of Components Per Reel and Reel Size

| Package | Carrier Width (W) | Pitch (P) | Part Per Full Reel | Reel Size |
|-------------------------|-------------------|------------|--------------------|-----------|
| QFN-20A (4x4x0.75mm) | 12.0±0.1 mm | 4.0±0.1 mm | 3000pcs | 330±1 mm |