

PLEASE CHECK WWW.MOLEX.COM FOR LATEST PART INFORMATION

Part Number: [0006023031](#)
Status: **Active**
Overview: [flat blade](#)
Description: Flat Blade Micro Switch Crimp Housing, 3 Circuit

Documents:

[3D Model](#) [RoHS Certificate of Compliance \(PDF\)](#)
[Drawing \(PDF\)](#)

Agency Certification

CSA LR19980
 UL E29179

General

Product Family Crimp Housings
 Series [2191](#)
 Overview [flat blade](#)
 Product Name Flat Blade

Physical

Circuits (maximum) 3
 Color - Resin Natural
 Flammability 94V-2
 Gender Female
 Glow-Wire Compliant No
 Keying to Mating Part Yes
 Lock to Mating Part None
 Material - Resin Nylon
 Number of Rows 1
 Packaging Type Bag
 Panel Mount No
 Pitch - Mating Interface (in) 0.221 In, 0.295 In
 Pitch - Mating Interface (mm) 5.61 mm, 7.49 mm
 Pitch - Term. Interface (in) 0.221 In, 0.295 In
 Pitch - Term. Interface (mm) 5.61 mm, 7.49 mm
 Stackable No
 Temperature Range - Operating -30°C to +105°C

Material Info

Old Part Number 2191

Reference - Drawing Numbers

Sales Drawing SD-2191-*

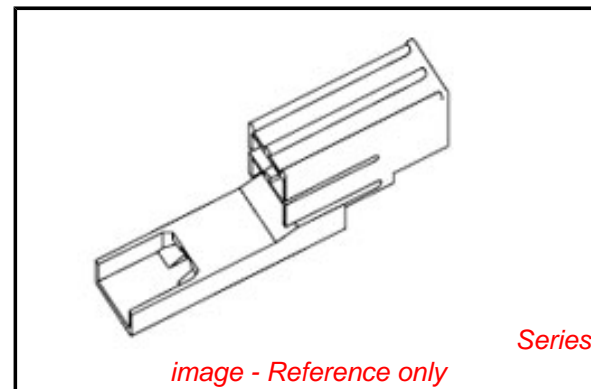


image - Reference only

EU RoHS

ELV and RoHS Compliant
REACH SVHC Contains SVHC: No
Halogen-Free Status
Not Reviewed

China RoHS



Need more information on product environmental compliance?

Email productcompliance@molex.com
 For a multiple part number RoHS Certificate of Compliance, [click here](#)

Please visit the [Contact Us](#) section for any non-product compliance questions.

Search Parts in this Series

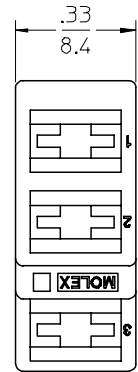
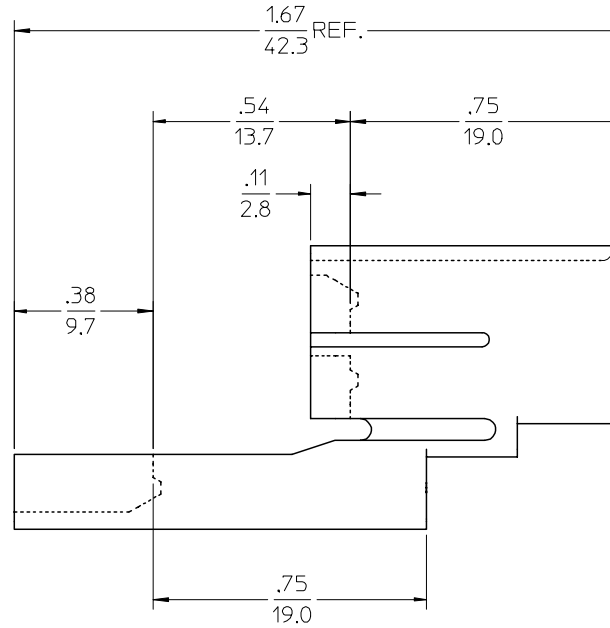
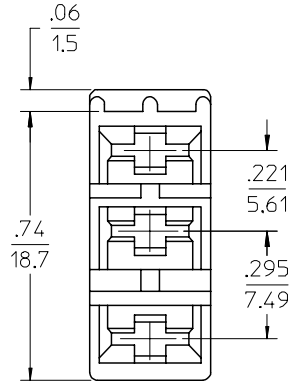
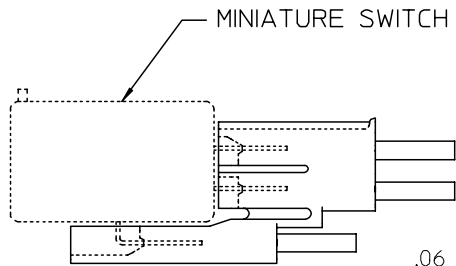
[2191Series](#)

Mates With

Micro Switch

Use With

[2176](#) , [2576](#)



NOTES:-

1. MATERIAL:
 NYLON 6/6, UL 94V-2
 COLOR: SEE CHART
2. FINISH: NONE.
3. PRODUCT SPECIFICATION: NONE
4. PACKAGING INFORMATION: PK-2191-0001
5. THIS HOUSING FOR USE WITH 2176 AND 2576 SERIES TERMINALS.

PART NUMBER	ENG. NO.	COLOR
06-02-3031	2191	NATURAL
06-02-9031	2191-BK	BLACK
06-02-9032	2191-GY	GRAY

UPDATE REVISION LEVEL EC NO: UICP22004-0159 DRWN: AELHAG 2003/07/28 CHKD: F SMITH 2003/08/05 APPR: F SMITH 2003/08/28	DESCRIPTION N2	QUALITY SYMBOLS	GENERAL TOLERANCES (UNLESS SPECIFIED)	SCALE 1:1	DESIGN UNITS INCH	THIRD ANGLE PROJECTION	REVISE ON CAD ONLY		
		▼ = 0 ▽ = 0	4 PLACES ± --- ± --- 3 PLACES ± --- ± 0.010 2 PLACES ± .25 ± 0.015 1 PLACE ± .38 ± --- ANGULAR ± 1/2°	DIMENSION STYLE IN/MM		TITLE SWITCH CONNECTOR HOUSING, 3 CIRCUIT FLAT BLADE SYSTEM			
		DRAFT WHERE APPLICABLE		DRAWN BY DATE GC 95/12/19		MATERIAL NO. SEE CHART			DOCUMENT NO. SD-2191-*
		MUST REMAIN WITHIN DIMENSIONS		CHECKED BY DATE KBP 95/12/19		SHEET NO. 1 OF 1			

THIS DRAWING CONTAINS INFORMATION THAT IS PROPRIETARY TO MOLEX INCORPORATED AND SHOULD NOT BE USED WITHOUT WRITTEN PERMISSION