

**FEATURES**

- ※ Sealed type IP57
- ※ Extended bracket available
- ※ Easy to pick & place with top tab

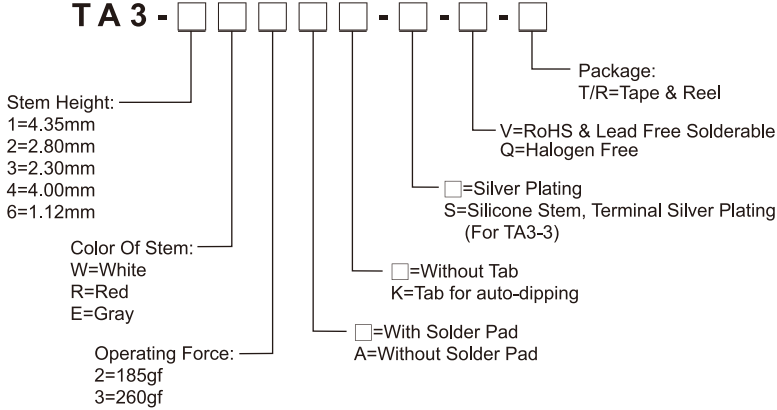
**APPLICATION**

- ※ Data storage, Server
- ※ Instrumentation
- ※ Audio, OA equipment

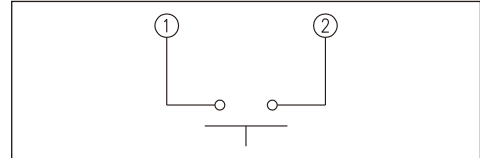
**SPECIFICATION**

Contact Rating	50mA, 12V DC
Contact Resistance	100mΩ max.
Insulation Resistance	10MΩ min. 500V DC
Dielectric Strength	250V AC/1 minute
Operating Force	185±50gf, 260±50gf
Travel	0.15mm
Operating Life	200, 000 cycles
Operating Temp.	-25°C ~ +70°C
Storage Temp.	-30°C ~ +80°C

**HOW TO ORDER**



**CIRCUIT**

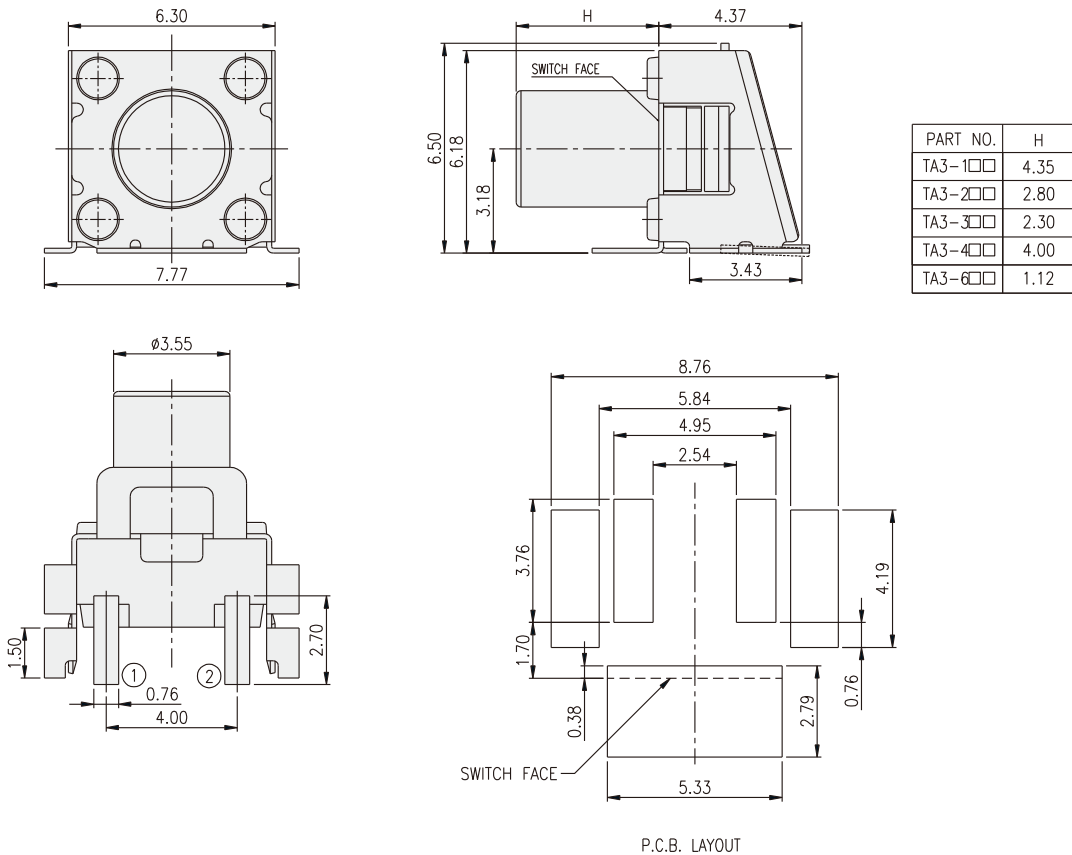


**PACKAGE**

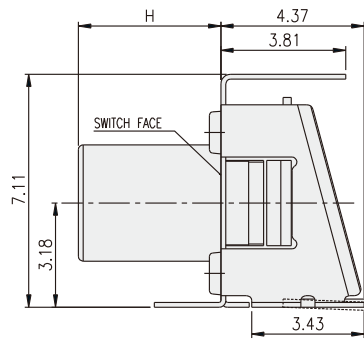
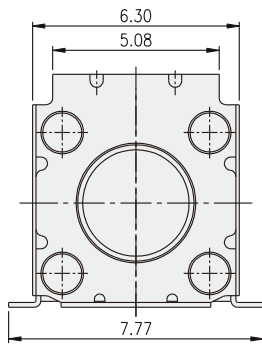
<Tape & Reel>  
TA3: 600 pcs  
TA3-[ ]-[ ]-[ ]K: 550 pcs

TACT SWITCH

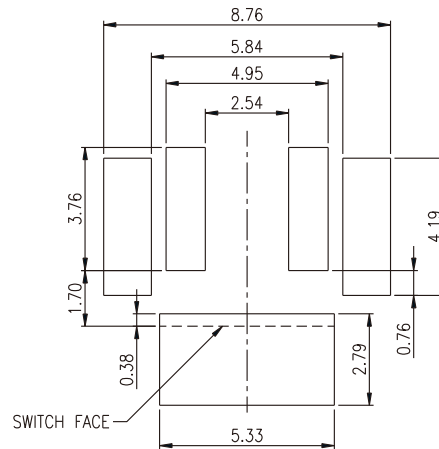
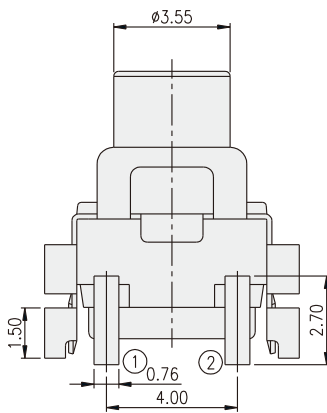
**TA3**-[ ]-[ ]



TA3-□□K



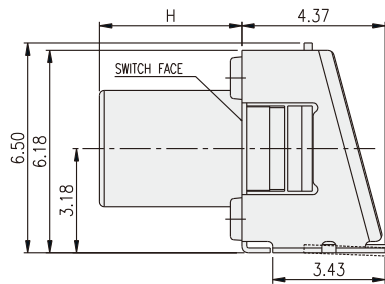
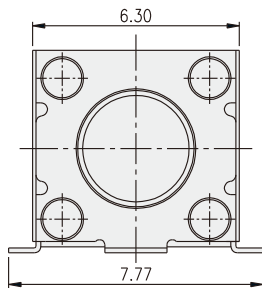
PART NO.	H
TA3-1□□K	4.35
TA3-2□□K	2.80
TA3-3□□K	2.30
TA3-4□□K	4.00
TA3-6□□K	1.12



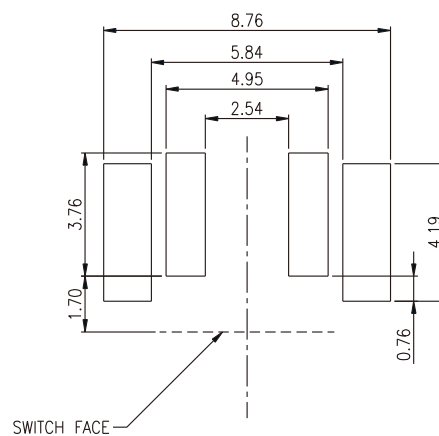
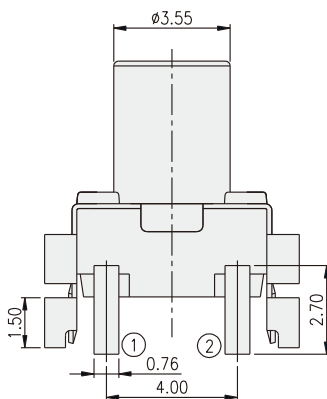
P.C.B. LAYOUT

TACT SWITCH

TA3-□□A



PART NO.	H
TA3-1□□A	4.35
TA3-2□□A	2.80
TA3-3□□A	2.30
TA3-4□□A	4.00
TA3-6□□A	1.12



P.C.B. LAYOUT