

# Product data sheet

Specifications



30mm Push Button, Type K, keyed selector switch, 3 position, C cam, spring return both sides to center

9001KS53K5

Product availability : Stock - Normally stocked in distribution facility

**Price\* : 167.00 USD**

## Main

Range of Product	Harmony 9001KS
Product or Component Type	Selector switch
Device short name	9001K
Type of operator	To centre spring return
Operator profile	key switch

## Complementary

Bezel material	Chromium plated metal
Mounting diameter	1.18 in (30 mm)
Net Weight	0.52 lb(US) (0.234 kg)
Shape of signaling unit head	Octagonal
Operator position information	3 positions
Type of Keylock	E10
Key number	E10
Key withdrawal position	Center
Contacts type and composition	Without contact block
Mechanical durability	500000 cycles
Product compatibility	9001KA1 side 1 or 2
Device presentation	Basic element

## Environment

Protective treatment	TC
Ambient Air Temperature for Storage	-40...158 °F (-40...70 °C)
Ambient air temperature for operation	-13...158 °F (-25...70 °C)
Overvoltage category	Class II IEC 61140
IP degree of protection	IP66 IEC 60529
NEMA degree of protection	NEMA 1 NEMA 12 NEMA 13

\* Price is "List Price" and may be subject to a trade discount – check with your local distributor or retailer for actual price.

NEMA 2  
NEMA 3  
NEMA 3R  
NEMA 4

<b>Standards</b>	EN/IEC 60947-1 CSA C22.2 No 14 UL 508 JIS C 4520 JIS C 852 EN/IEC 60947-5-1 EN/IEC 60947-5-4
<b>Product Certifications</b>	UL 508 NEMA
<b>Vibration resistance</b>	7 gn 2...500 Hz)IEC 60068-2-6
<b>Shock resistance</b>	50 gn IEC 60068-2-27

## Ordering and shipping details

<b>Category</b>	21426 - 9001 K (NOT KA,KM,KX)
<b>Discount Schedule</b>	CS1
<b>GTIN</b>	3389118039476
<b>Nbr. of units in pkg.</b>	1
<b>Package weight(Lbs)</b>	6.56 oz (185.973 g)
<b>Returnability</b>	Yes
<b>Country of origin</b>	MX

## Packing Units

<b>Unit Type of Package 1</b>	PCE
<b>Package 1 Height</b>	2.20 in (5.588 cm)
<b>Package 1 width</b>	1.90 in (4.826 cm)
<b>Package 1 Length</b>	3.70 in (9.398 cm)

## Offer Sustainability

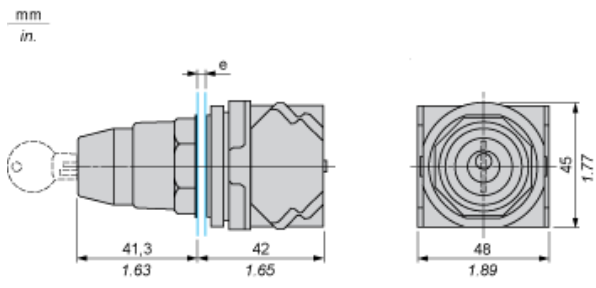
<b>Sustainable offer status</b>	Green Premium product
<b>California proposition 65</b>	WARNING: This product can expose you to chemicals including: Nickel compounds, which is known to the State of California to cause cancer, and Di-isodecyl phthalate (DIDP), which is known to the State of California to cause birth defects or other reproductive harm. For more information go to <a href="http://www.P65Warnings.ca.gov">www.P65Warnings.ca.gov</a>
<b>REACH Regulation</b>	<a href="#">REACH Declaration</a>
<b>EU RoHS Directive</b>	Pro-active compliance (Product out of EU RoHS legal scope) <a href="#">EU RoHS Declaration</a>
<b>Mercury free</b>	Yes
<b>RoHS exemption information</b>	<a href="#">Yes</a>
<b>China RoHS Regulation</b>	<a href="#">China RoHS declaration</a>
<b>Environmental Disclosure</b>	<a href="#">Product Environmental Profile</a>
<b>WEEE</b>	The product must be disposed on European Union markets following specific waste collection and never end up in rubbish bins.

## Contractual warranty

<b>Warranty</b>	18 months
-----------------	-----------

Dimensions

---

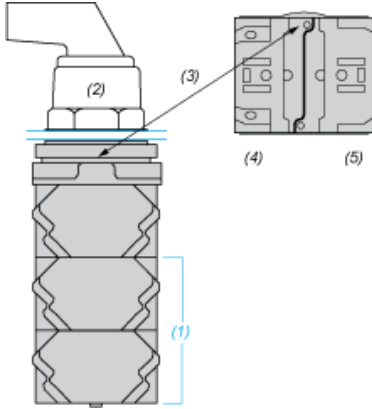


e panel thickness: 1 to 6 mm / 0.04 to 0.24 in.

**Contact Block Mounting Position**

---

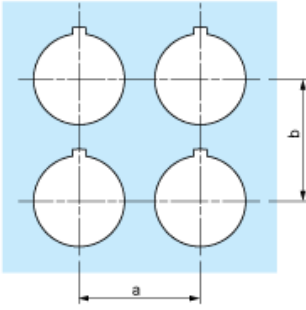
Top and Rear views



- (1) It is possible to mount up to 3 levels of contacts blocks (maximum of 6 contacts blocks)
- (2) Operator
- (3) Locating notch
- (4) Side 1
- (5) Side 2

**Panel Cut-Out**

**Clearance**



Legend plate	a min.		b min.	
	mm	in.	mm	in.
9001KN2**	57.2	2.25	44.5	1.75
9001KN3**	57.2	2.25	50.8	2.00

**Individual Cut-outs Details**

2 alternatives

mm  
in.

