

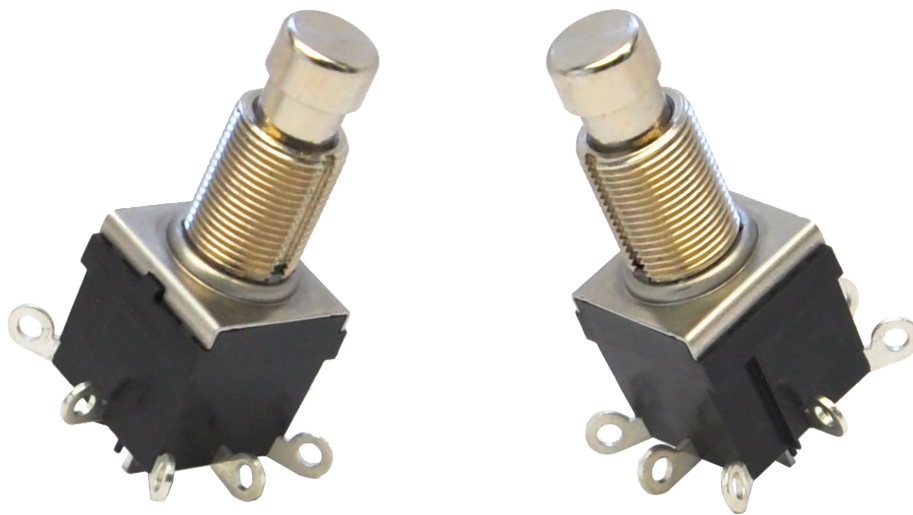
641-Series

Pushbutton Switches

The single, double and triple pole 641-Series represents the most compact offerings of the Carling's pushbutton switch line. These switches are UL 61058 approved and meet ENEC spacing requirements. Additionally, the new 3-pole switch affords the versatility to control an extra function or indicator light. Rugged metal construction, self-cleaning contacts and stiff actuation force (3-3 1/2 lbs. typical) have made these switches ideal for most "foot pedal" type applications. These alternate action switches fit a standard .500" mounting hole with options of solder lug, wire lead and PC terminals.

Typical Applications:

Music Equipment
Test & Measurement Devices
Audio-Visual Equipment
Appliances



Carling Technologies®

Innovative Designs. Powerful Solutions.

Innovative Designs. Powerful Solutions.

Carling Technologies, Inc.
60 Johnson Avenue • Plainville, CT 06062-1177
Phone: (860) 793-9281 • Fax: (860) 793-9231
Email: sales@carlingtech.com • www.carlingtech.com

Electrical

Rating	5A 125VAC, 2A 250VAC
Dielectric Strength	1500V RMS
Insulation Resistance	50 Megohms
Initial Contact Resistance	10 Milli Ohm max @ 4Vdc
Electrical Life	50,000 Cycles
Terminals	Solder Lug, Wire Leads and PC

Mechanical

Mechanical Life	100,000 Cycles
-----------------	----------------

Environmental

Vibration Sinusoidal	Mil STD 202G, Method 204D, Test Condition A 0.06DA or 10G's 10-500Hz
Shock	MIL-STD 2020G, Method 213B Test Condition K, 30G's
Handling Shock	1 Meter Drop onto Hard Surface, all surfaces and planes
Thermal Shock	MIL-STD 2020G, Method 107G Test Condition A -55 C to 85 C
Moisture Resistance	MIL-STD 2020G, Method 106F 10 25 C to 65 C Cycles 95% RH
Thermal Cycling	25 Cycles -40 C to 85 C
Operating Temperature	32°F to 185°F (0°C to +85°C)

Physical

Function Circuits	Three Pole Single Throw, TPST Three Pole Double Throw, TPDT
Operation	Alternate Action, Push ON, Push OFF
Button Travel	0.19 (4.83mm)
Actuation Force	3 to 5 LB, 1360 to 2268 g
Base	Polyester, PBT Glass Filled
Button	Brass, Nickel Plated
Bushing	Brass, Nickel Plated
Plunger	Brass, Nickel Plated
Top Plate	Stainless Steel
Actuator (Internal)	Nylon 6/6
Pin (Internal)	Nylon 6/6
Driver	Cold Rolled Steel
Springs	Music Wire
Movable Contact	Copper
Terminals	Brass (tin plated)
Mounting	½" Dia. Hole, with and w/o keyway, or with locking ring

Safety & Regulation

Agency	UL 61058, EN 61058
Materials	RoHS, REACH

*Manufacturer reserves the right to change product specification without prior notice.

64111210

¹
Part Number

1 PART NUMBER: SERIES / POLES / CIRCUITRY / RATING / TERMINATION

One Pole

2A 250VAC, 5A 125VAC

solder lug	PC term.	wire leads.	
64111210	64111212	64111215	ON-OFF
64111220	64111222	64111225	ON-ON

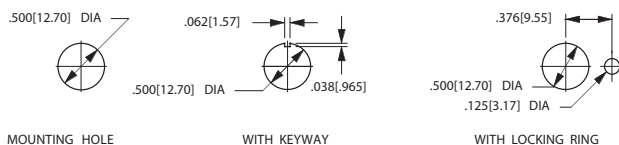
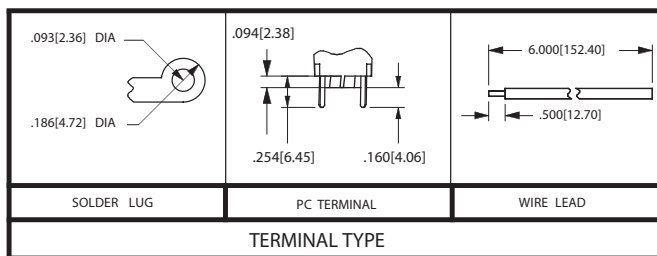
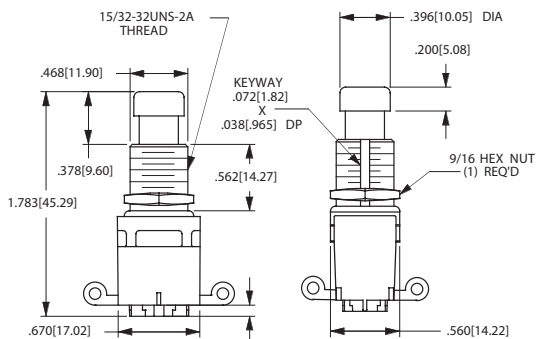
Two Pole

solder lug	PC term.	wire leads
64112210	64112212	64112215
64112220	64112222	64112225

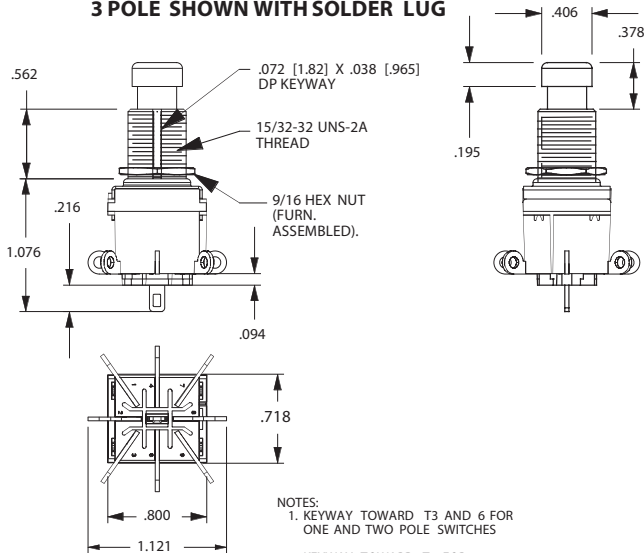
Three Pole

solder lug	PC term.	wire leads
64113210	64113212	64113215
64113220	64113222	64113225

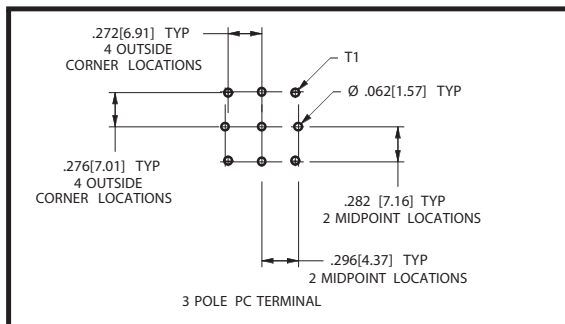
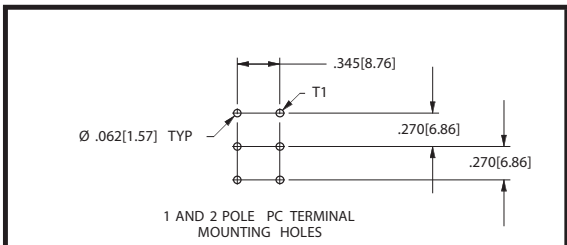
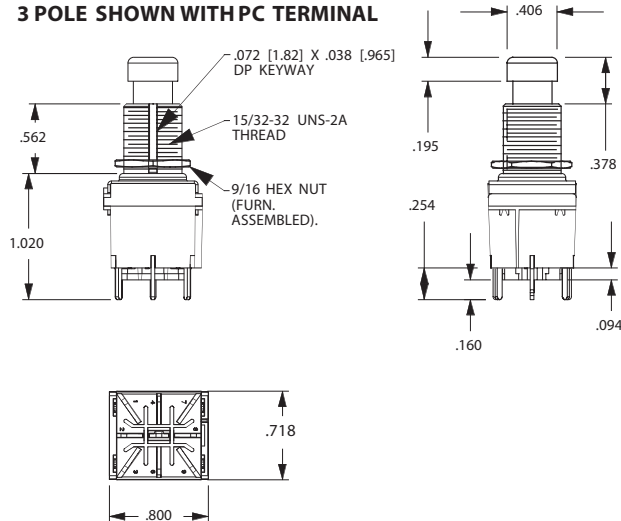
1 OR 2 POLE SHOWN WITH SOLDER LUG



3 POLE SHOWN WITH SOLDER LUG



3 POLE SHOWN WITH PC TERMINAL



REV_SW_641_02_2013

Mouser Electronics

Authorized Distributor

Click to View Pricing, Inventory, Delivery & Lifecycle Information:

[Carling Technologies:](#)

[64113220](#) [64113225](#) [64113222](#) [64113212](#) [64113210](#) [64113215](#)