

PLEASE CHECK WWW.MOLEX.COM FOR LATEST PART INFORMATION

Part Number: [0192080002](#)
Status: **Active**
Description: Krimptite™ Parallel Splice for 10-12 AWG Wire

Documents:

[Drawing \(PDF\)](#) [RoHS Certificate of Compliance \(PDF\)](#)

Agency Certification

CSA LR18689
 UL E32244

General

Product Family Splices
 Series [19208](#)
 Crimp Quality Equipment Yes
 Mil-Spec N/A
 Product Name Krimptite™, Parallel

Physical

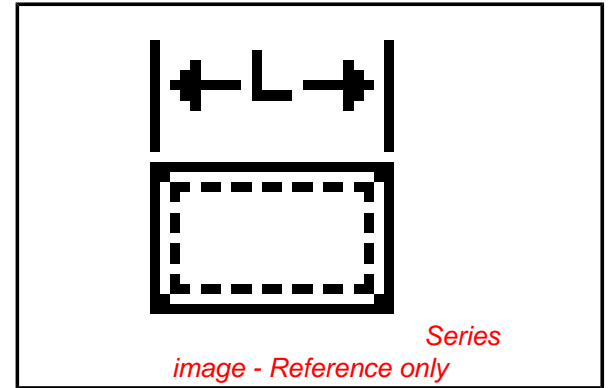
Barrel Type Closed
 Insulation None
 Material - Metal Copper
 Packaging Type Bag
 Wire Size AWG 10, 12

Material Info

Old Part Number C-103

Reference - Drawing Numbers

Sales Drawing SD-19208-002



EU RoHS

**ELV and RoHS
 Compliant**

REACH SVHC

Contains SVHC: No

Halogen-Free

Status

Halogen-Free

**Need more information on product
 environmental compliance?**

Email productcompliance@molex.com
 For a multiple part number RoHS Certificate of
 Compliance, [click here](#)

Please visit the [Contact Us](#) section for any
 non-product compliance questions.

China RoHS



Search Parts in this Series

[19208Series](#)

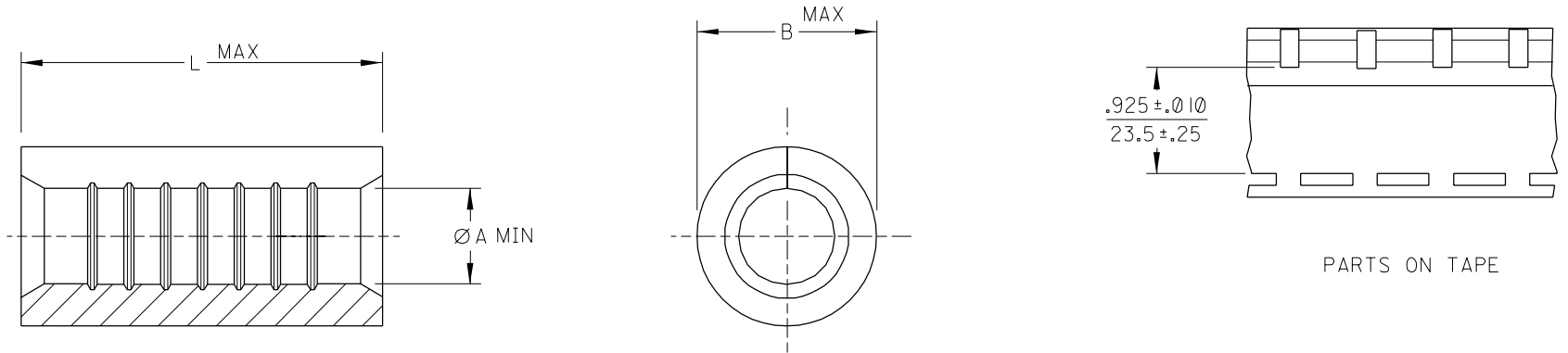
Application Tooling | [FAQ](#)

*Tooling specifications and manuals are
 found by selecting the products below.
 Crimp Height Specifications are then
 contained in the Application Tooling
 Specification document.*

Global

Description	Product #
Hand Crimp Tool	0640030100
Crimp Head for the AT-200™ Pneumatic Hand Tool	0640070100

MATERIAL NUMBER	ALTERNATE NUMBER	"L" MAX	"A" MIN.	"B" MAX	PACKAGING
192080001	B-104	.340 (8.60)	.084 (2.10)	.165 (4.20)	LOOSE PIECE
192080002	C-103	.330 (8.40)	.128 (3.30)	.230 (5.80)	
192080003	C-103T	.330 (8.40)	.128 (3.30)	.230 (5.80)	TAPE MOUNTED



SALES DRAWING

NOTES:
 1. MATERIAL: COPPER.
 2. PLATING: ELECTRO-TIN.
 3. ALL DIMENSIONS IN INCHES/(MM).

NEW RELEASE EC NO.: ETC2002-0225 DRWN: BRE 02/01/30 CHK: HEB 02/01/30 APPR: RWD 02/01/30	QUALITY SYMBOLS MAJOR $\nabla = 0$ CRITICAL $\nabla C = 0$	GENERAL TOLERANCES: (UNLESS SPECIFIED)		SCALE : <input type="checkbox"/> mm <input checked="" type="checkbox"/> INCH	DESIGN UNITS <input type="checkbox"/> mm <input checked="" type="checkbox"/> INCH	DIMENSIONS: <input type="checkbox"/> mm <input checked="" type="checkbox"/> INCH <input type="checkbox"/> INCH <input checked="" type="checkbox"/> mm	SHT REV
		DRAWN BY & DATE BRE 02/01/30	TITLE: PARALLEL CONNECTOR			REVISION ON CAD ONLY	
		CHECKED BY & DATE HEB 02/01/30	APPROVED BY & DATE RWD 02/01/30			MOLEX INCORPORATED	
		CAD FILENAME SD-19208-002 .DWG	MATERIAL NO. SEE CHART	DRAWING NO. SD-19208-002	SHEET NO.		
REV A	DRAFT WHERE APPLICABLE MUST REMAIN WITHIN DIMENSIONS	THIS DRAWING CONTAINS INFORMATION THAT IS PROPRIETARY TO MOLEX INCORPORATED AND SHOULD NOT BE USED WITHOUT WRITTEN PERMISSION.			SIZE B		