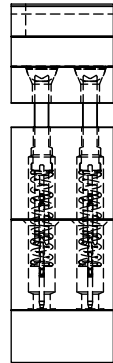
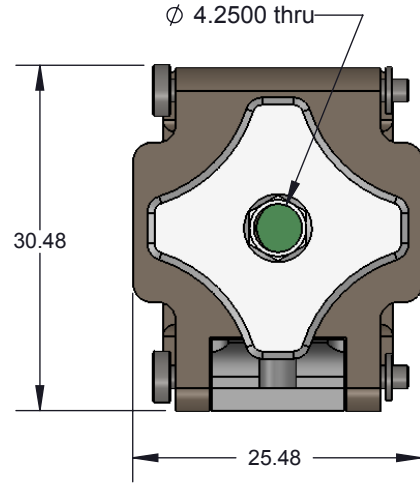
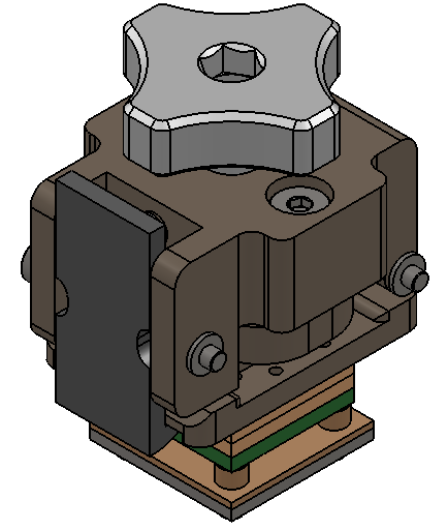
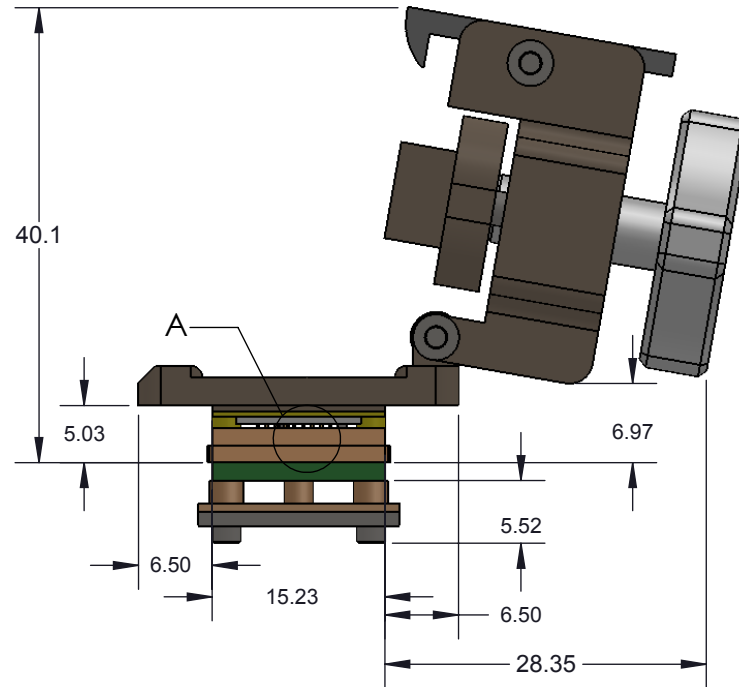
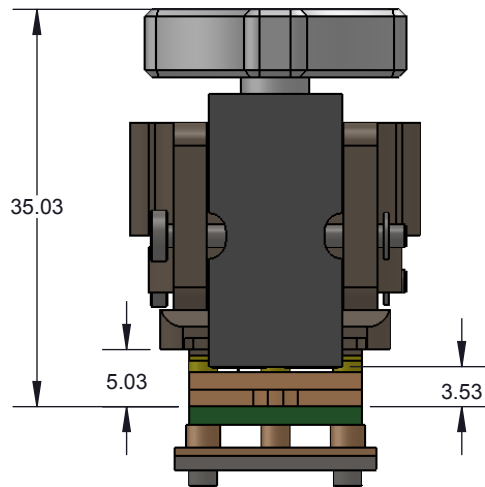


CBT-BGA DIRECT MOUNT, SOLDERLESS SOCKET FOR BURN-IN AND TEST APPLICATIONS



FEATURES:


- Wide temperature range (-55C to +180C)
- High current capability (up to 4A)
- Excellent signal integrity at high frequencies
- Low and stable contact resistance for reliable production yield
- Highly compliant to accommodate wide co-planarity variations
- Automated probe manufacturing enables low cost and short lead time

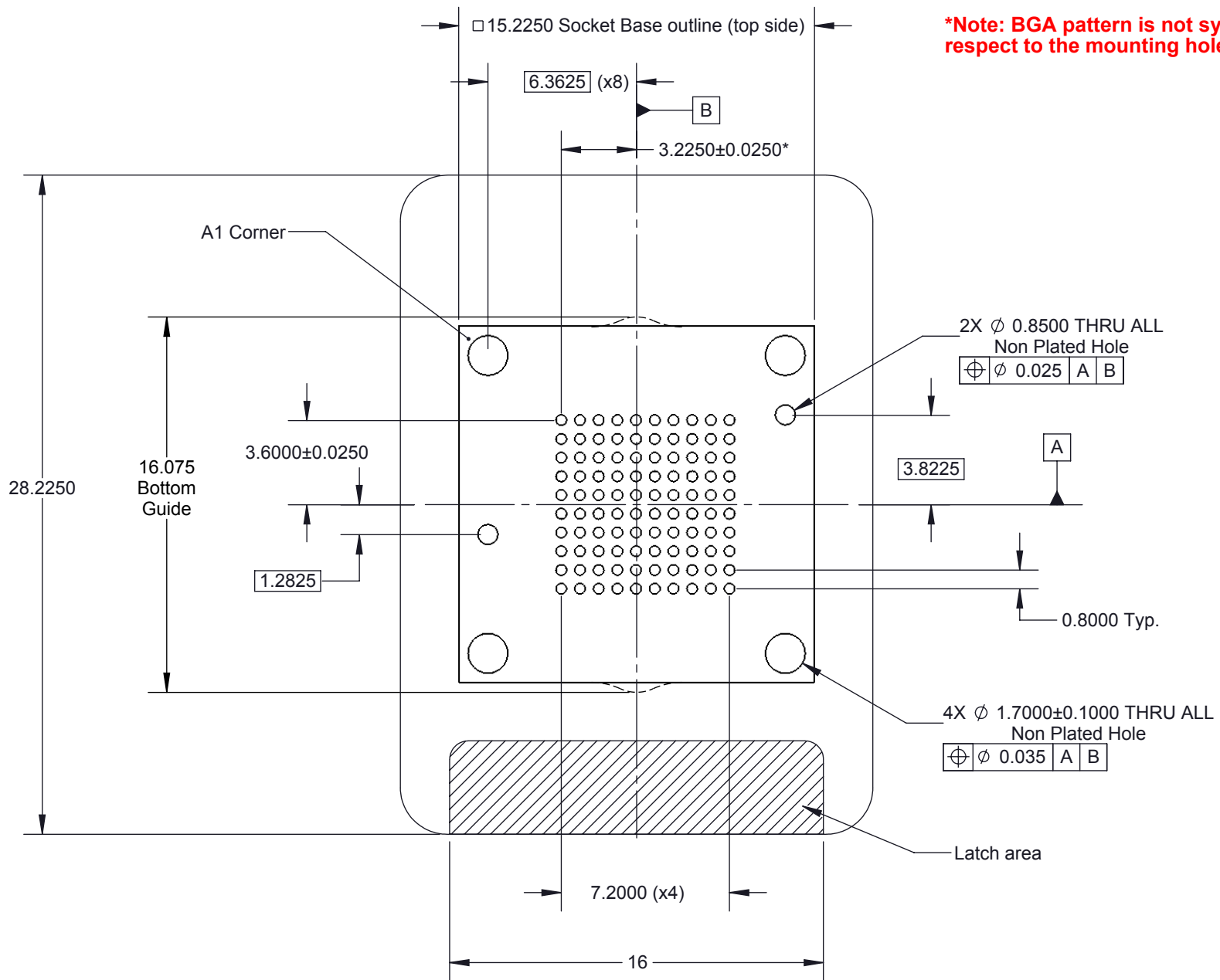


Description: CBT-BGA100 9x9mm 0.8mm pitch 10x10 array

Primary dimension units are millimeters, Secondary dimension units are [inches], Weight is in grams.

Tolerances: Hole diameters $\pm 0.03\text{mm}$ [$\pm 0.001"$], Pitches (from true position) $\pm 0.025\text{mm}$ [$\pm 0.001"$], substrate thickness tolerance $\pm 10\%$, all other tolerances $\pm 0.13\text{mm}$ [$\pm 0.005"$] unless stated otherwise. Materials and specifications are subject to change without notice.

 CBT-BGA-6023 Drawing Ironwood Electronics, Inc. Tele: (800) 404-0204 www.ironwoodelectronics.com	Material: N/A Finish: N/A Weight: 40.50	STATUS: Released ENG: V. Panavala FILE: CBT-BGA-6023	SHEET: 1 OF 5 DRAWN BY: V. Panavala DATE: 8/14/2012	REV. D SCALE: 3:2




***Note: BGA pattern is not symmetrical with respect to the mounting holes**

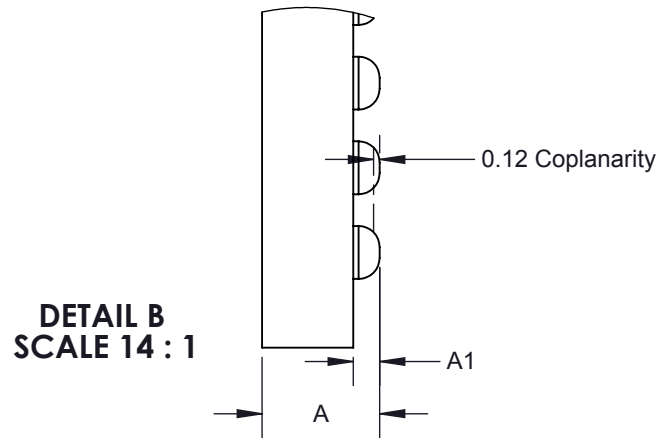
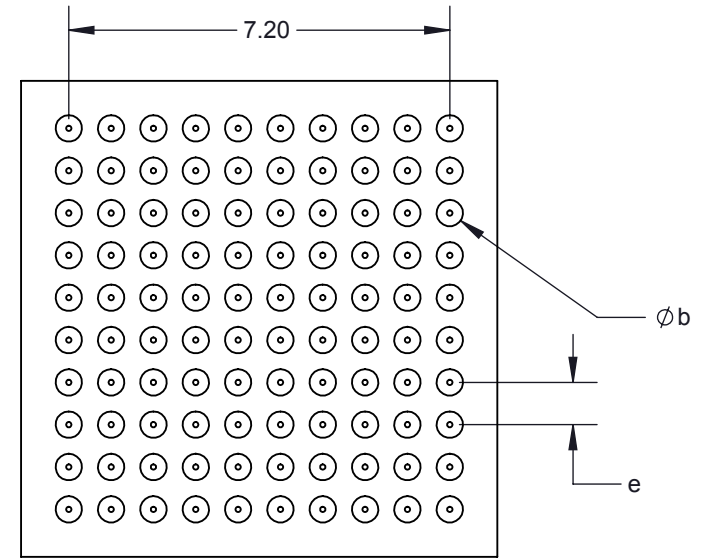
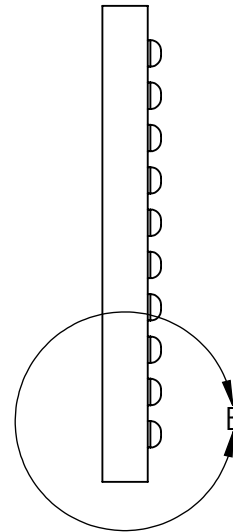
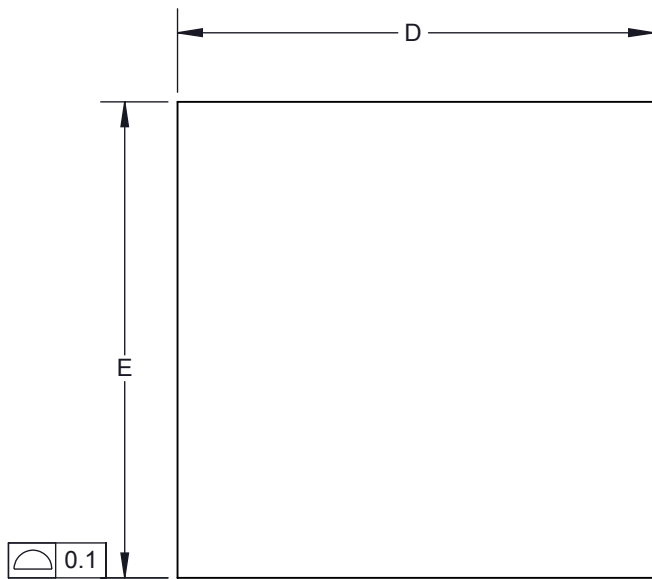
Description: Recommended PCB Layout

Primary dimension units are millimeters, Secondary dimension units are [inches], Weight is in grams.

Tolerances: Hole diameters $\pm 0.03\text{mm}$ [$\pm 0.001"$], Pitches (from true position) $\pm 0.025\text{mm}$ [$\pm 0.001"$], substrate thickness tolerance $\pm 10\%$, all other tolerances $\pm 0.13\text{mm}$ [$\pm 0.005"$] unless stated otherwise. Materials and specifications are subject to change without notice.

Target PCB Recommendations
 Total thickness: 1.6mm min.
 Plating: Gold or Solder finish

 CBT-BGA-6023 Drawing Ironwood Electronics, Inc. Tele: (800) 404-0204 www.ironwoodelectronics.com	Material: N/A Finish: N/A Weight: 40.50	STATUS: Released ENG: V. Panavala FILE: CBT-BGA-6023	SHEET: 2 OF 5 DRAWN BY: V. Panavala DATE: 8/14/2012	REV. D SCALE: 4:1




IRONWOOD PACKAGE CODE: BGA100M

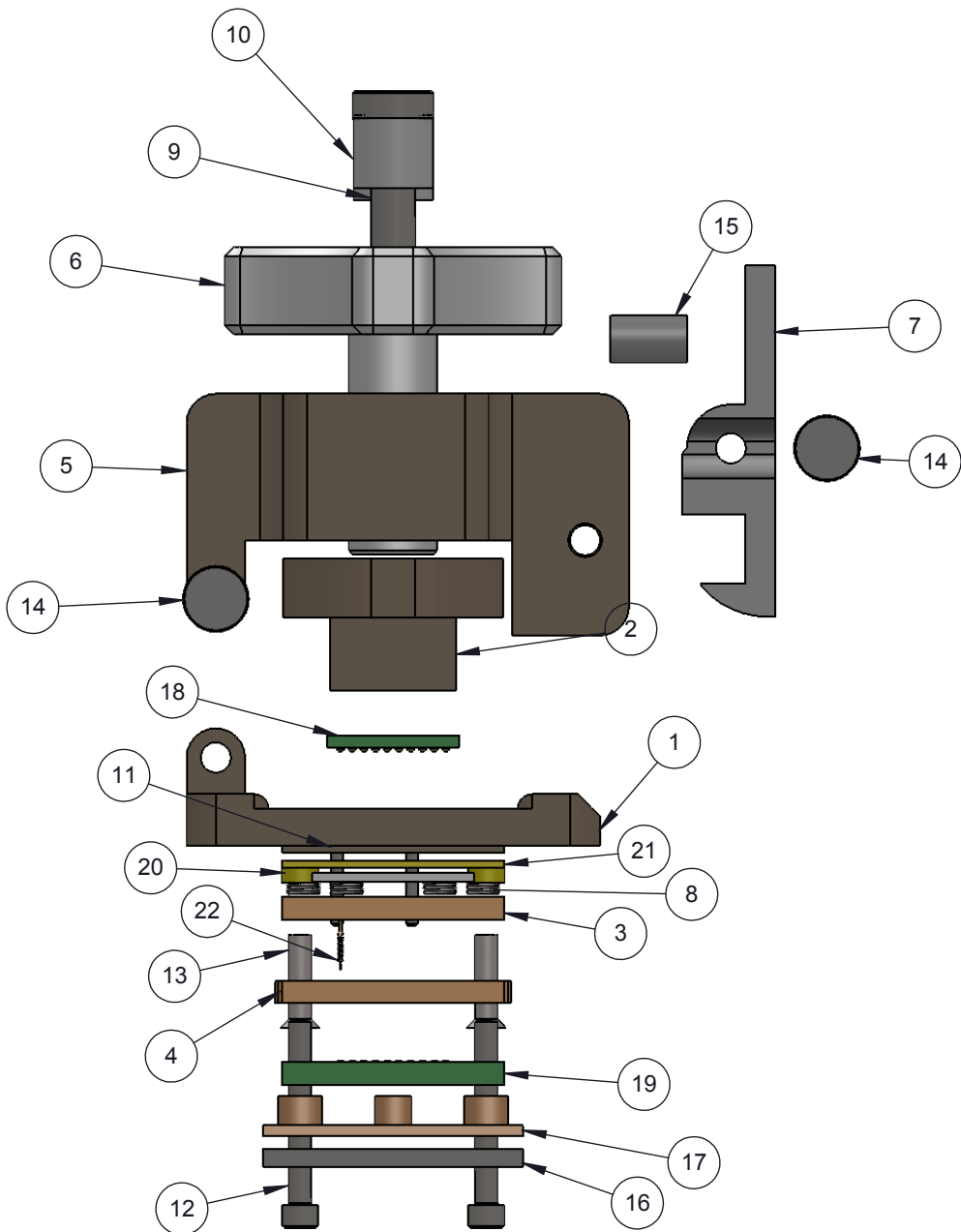
DIM	Minimum	Maximum
A		1.4
A1	0.25	
b	0.45	0.55
D	9 BSC	
E	9 BSC	
e	0.8 BSC	
PIN COUNT		100

Description: Compatible BGA

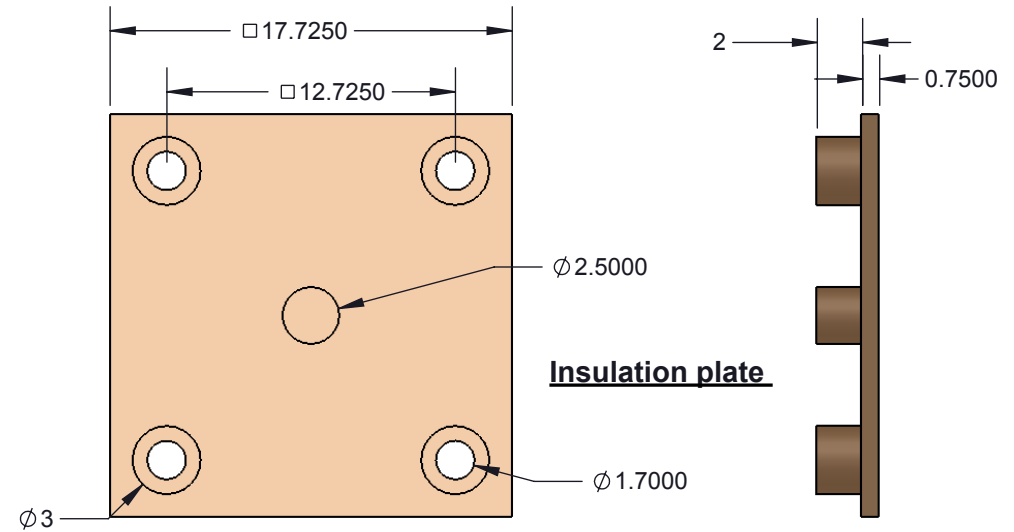
Primary dimension units are millimeters, Secondary dimension units are [inches], Weight is in grams.

Tolerances: Hole diameters $\pm 0.03\text{mm}$ [± 0.001 "], Pitches (from true position) $\pm 0.025\text{mm}$ [± 0.001 "], substrate thickness tolerance $\pm 10\%$, all other tolerances $\pm 0.13\text{mm}$ [± 0.005 "] unless stated otherwise. Materials and specifications are subject to change without notice.

 CBT-BGA-6023 Drawing Ironwood Electronics, Inc. Tele: (800) 404-0204 www.ironwoodelectronics.com	Material: N/A Finish: N/A Weight: 40.50	STATUS: Released ENG: V. Panavala FILE: CBT-BGA-6023	SHEET: 3 OF 5 DRAWN BY: V. Panavala DATE: 8/14/2012	REV. D SCALE: 7:1




ITEM NO.	DESCRIPTION	Material
1	CBT Socket Base 10mm	7075-T6 Aluminum Alloy
2	CBT Compression Plate 10mm IC	7075-T6 Aluminum Alloy
3	Middle guide BGA100 9x9mm 0.8mm pitch 10x10 array	Semitron MDS 100
4	Bottom guide BGA100 9x9mm 0.8mm pitch 10x10 array	Semitron MDS 100
5	Clam Shell Socket Lid 10mm IC	7075-T6 Aluminum Alloy
6	M6x1 fluted knob compression screw 4.25mm thru hole	7075-T6 Aluminum Alloy
7	Latch 6- 10mm Ni plated	7075-T6 Aluminum Alloy
8	Floating Guide Spring	Alloy Steel (SS)
9	Screw, M3 x 12mm, Low Head Cap, SS	18-8 Stainless Steel
10	Spring Clamshell lid assembly	Steel Music Wire
11	Dowel pin, 1/32" X 1/4", SS	Stainless Steel (18-8)
12	#0-80 x 0.5, SH Cap Screw	Alloy Steel
13	#0-80X0.25", 90 deg., head pin guide screw, Peek material	PEEK unfilled
14	Hinge Pin and Snap Ring, 2mm OD, 19mm long, SS	Stainless Steel (ferritic)
15	Precision Compression Spring, Zinc-Plated Music Wire, 1/2" Length, .12" OD, .016" Wire	Zinc Plated Music Wire
16	Backing Plate 10mm IC 1.25mm thick, Stainless Steel	Stainless Steel (ferritic)
17	Insulation Plate	Ultem 1000
18	BGA100 9x9mm 0.8mm pitch 10x10 array	High Temp FR4
19	PCB 0.8mm pitch 10x10 array	High Temp FR4
20	Floating guide BGA100 9x9mm 0.8mm pitch 10x10 array	PEEK Ceramic filled
21	IC Guide 9mm IC with posts	Torlon 4203
22	SBT Pin, SBT-BGA 0.5mm-0.8mm	

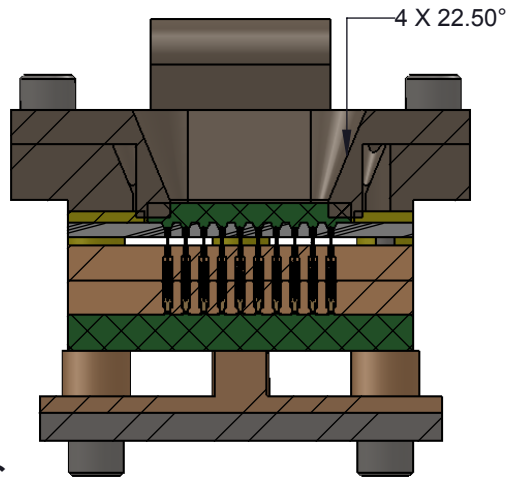
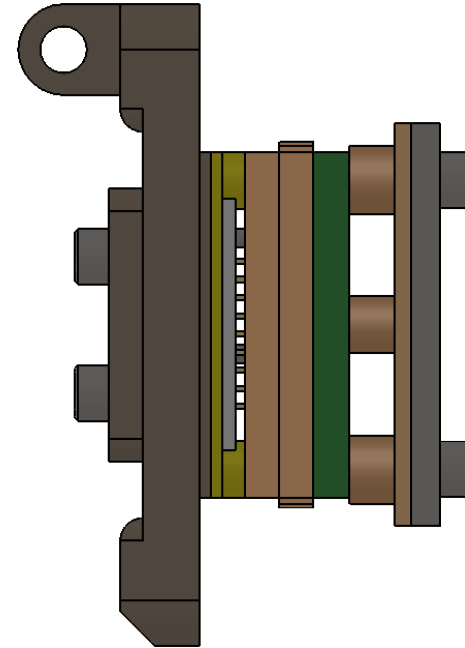
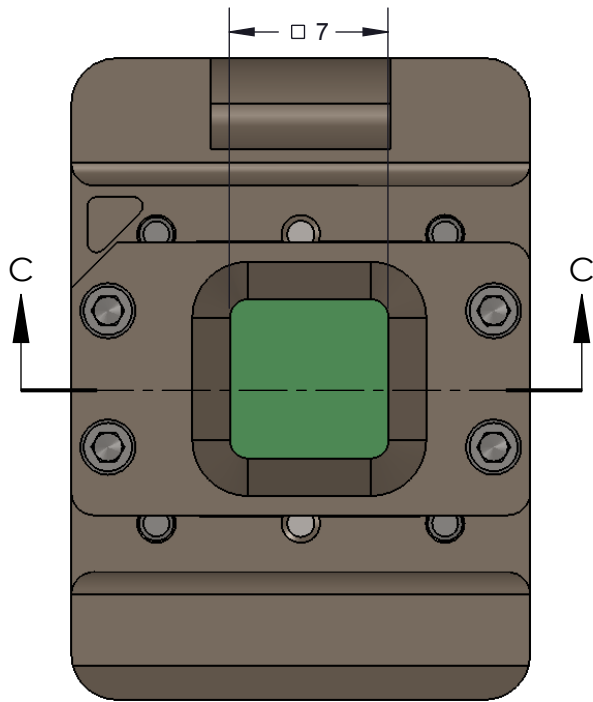


Description: Socket Assy, detail

Primary dimension units are millimeters, Secondary dimension units are [inches], Weight is in grams.

Tolerances: Hole diameters ±0.03mm [±0.001"], Pitches (from true position) ±0.025mm [±0.001"], substrate thickness tolerance ±10%, all other tolerances ±0.13mm [±0.005"] unless stated otherwise. Materials and specifications are subject to change without notice.

 CBT-BGA-6023 Drawing Ironwood Electronics, Inc. Tele: (800) 404-0204 www.ironwoodelectronics.com	Material: N/A Finish: N/A Weight: 40.50	STATUS: Released ENG: V. Panavala FILE: CBT-BGA-6023	SHEET: 4 OF 5 DRAWN BY: V. Panavala DATE: 8/14/2012	REV. D SCALE: 2:1
---	---	--	---	----------------------




SECTION C-C

Description: Socket Assy with open top lid

Primary dimension units are millimeters, Secondary dimension units are [inches], Weight is in grams.

Tolerances: Hole diameters $\pm 0.03\text{mm}$ [$\pm 0.001"$], Pitches (from true position) $\pm 0.025\text{mm}$ [$\pm 0.001"$], substrate thickness tolerance $\pm 10\%$, all other tolerances $\pm 0.13\text{mm}$ [$\pm 0.005"$] unless stated otherwise. Materials and specifications are subject to change without notice.

Rev	Date	Initials	Description
A	08/14/12	VP	Original
B	02/18/14	DH	Change current rating of pin
C	3/27/15	RP/MR	P-P196A was P-P149A, R3182 was R1392
D	05/27/15	DH	Changed IC Guide material from Ultem to Torlon

 CBT-BGA-6023 Drawing Ironwood Electronics, Inc. Tele: (800) 404-0204 www.ironwoodelectronics.com	Material: N/A Finish: N/A Weight: 40.50	STATUS: Released	SHEET: 5 OF 5	REV. D
		ENG: V. Panavala	DRAWN BY: V. Panavala	SCALE: 3:1
		FILE: CBT-BGA-6023	DATE: 8/14/2012	