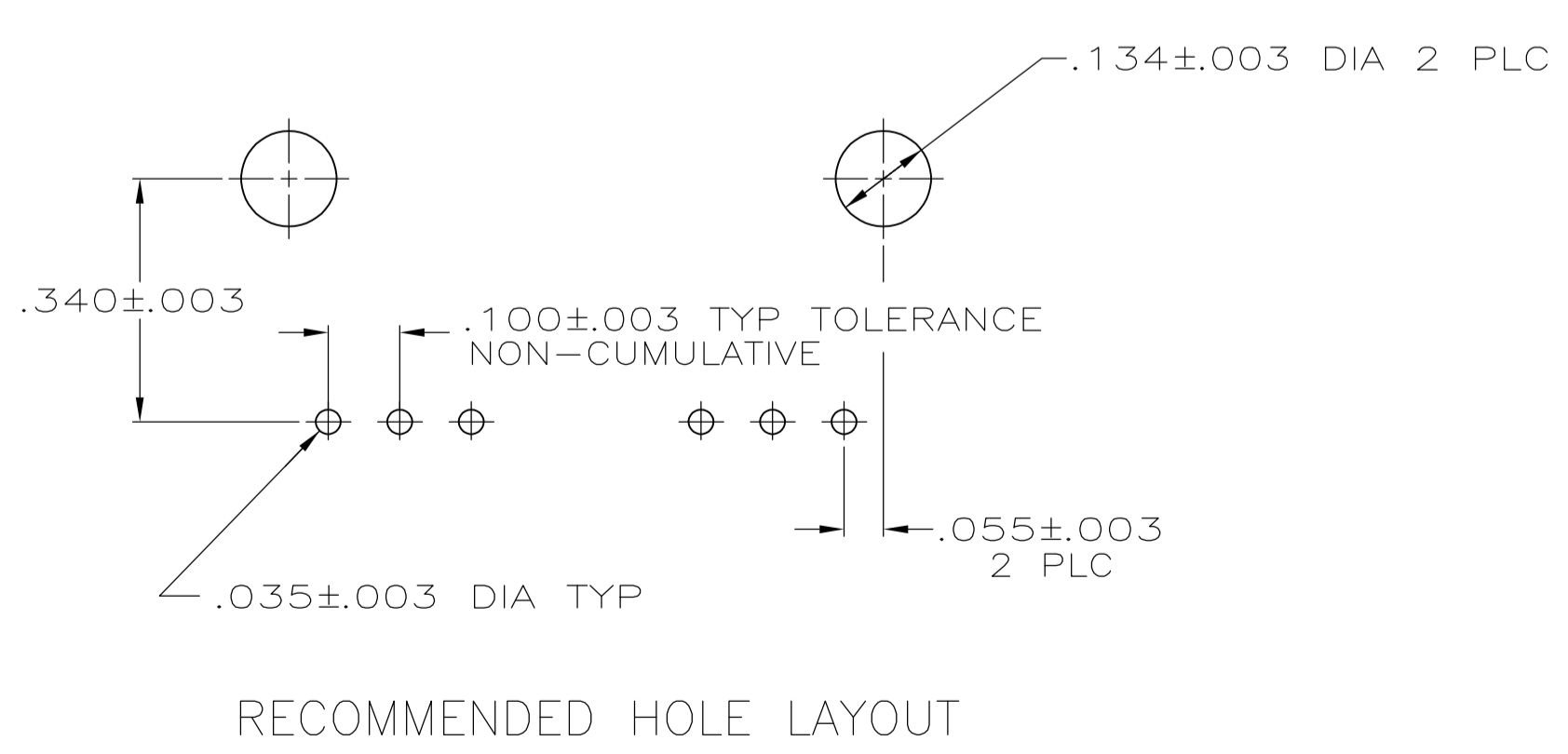
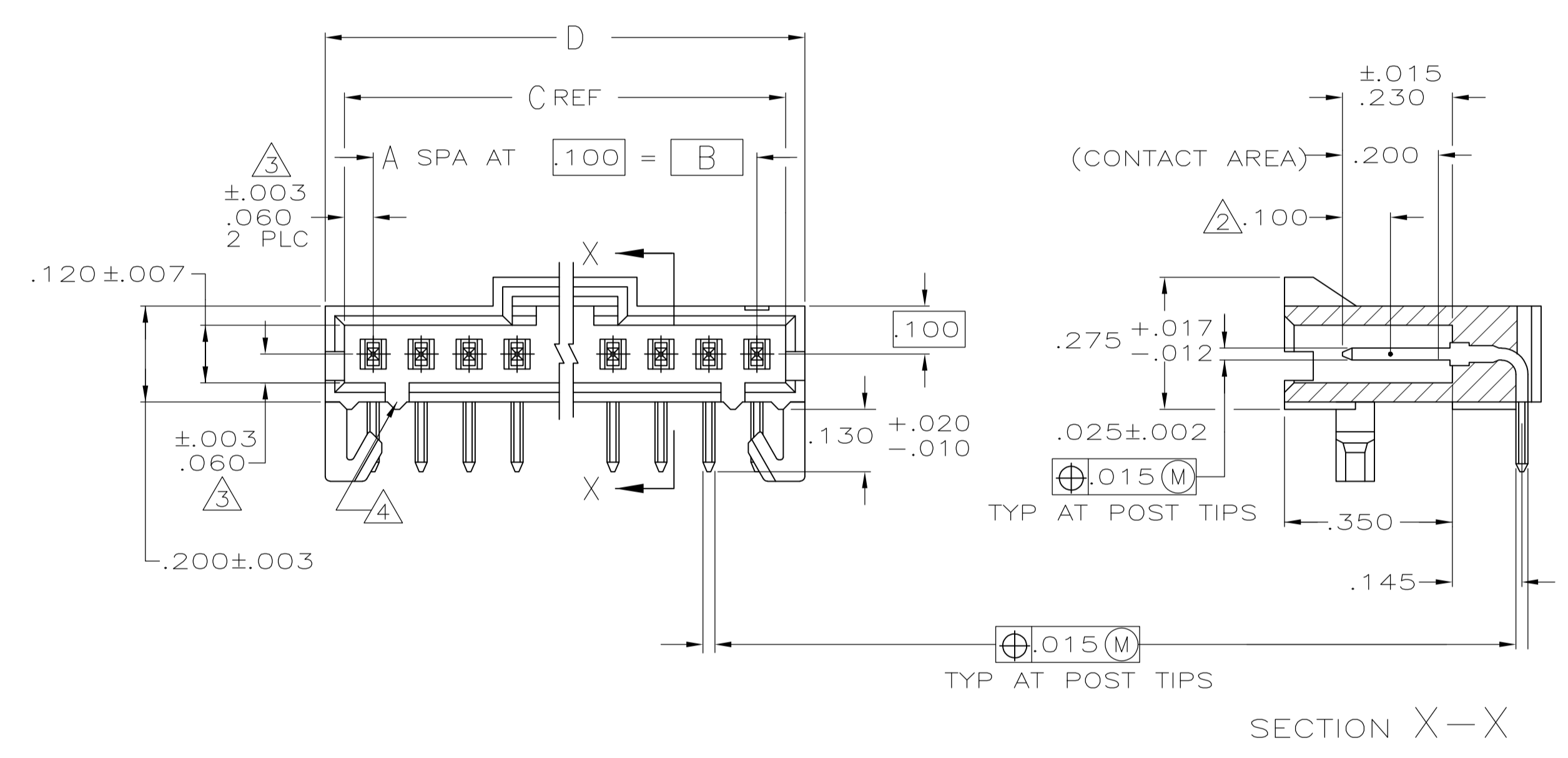
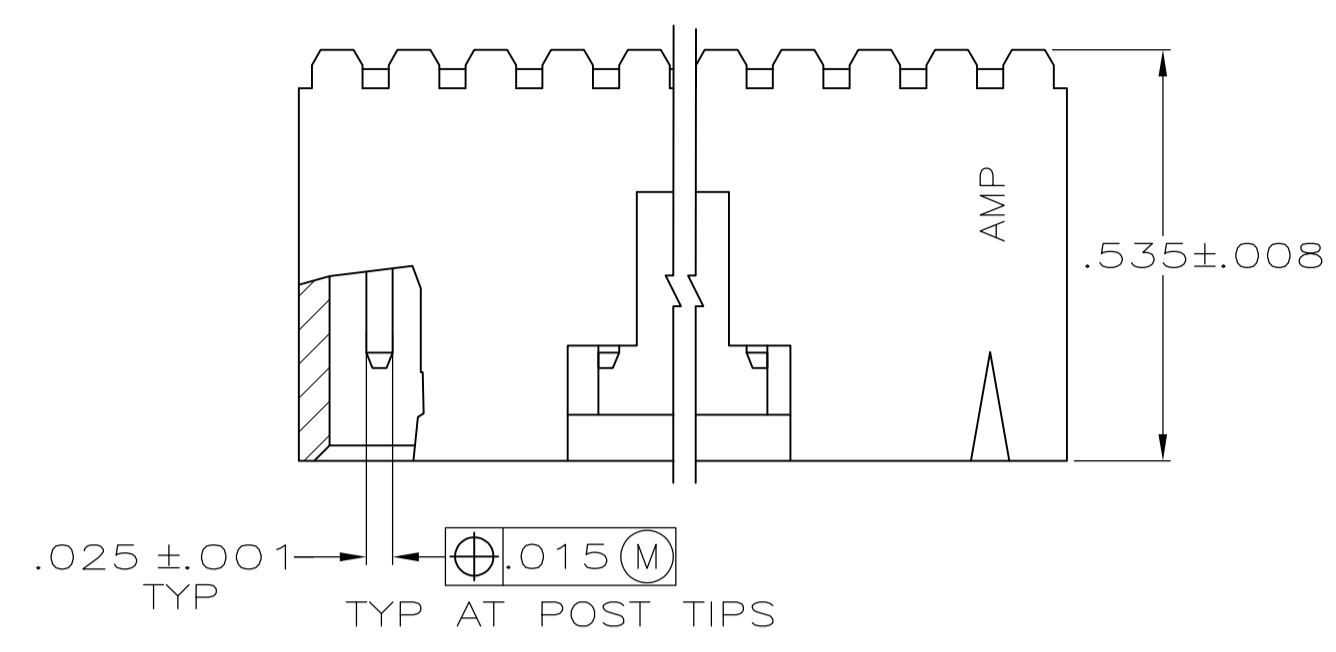


- ① HOUSING: FLAME RETARDANT, THERMOPLASTIC, BLACK  
POST: BRASS
- ② POINT OF MEASUREMENT FOR PLATING THICKNESS
- ③ THE NOTED DIMENSIONS APPLY FROM THE BASIC DIMENSION LINE (NOT THE POST CENTERLINE) TO THE SURFACE INDICATED
- ④ ON ASSEMBLIES WITH FOUR OR MORE POSITIONS, TWO POLARIZATION SLOTS.  
ON ASSEMBLIES WITH TWO OR THREE POSITIONS, ONE POLARIZATION SLOT.
- ⑤ FOR USE WITH .062±.008 PRINTED CIRCUIT BOARD
- ⑥ .000030 GOLD IN THE CONTACT AREA,  
.000100-.000200 MATTE TIN-LEAD ON THE SOLDER TAIL, ALL OVER .000050 NICKEL
- ⑦ .000030 GOLD IN THE CONTACT AREA,  
.000100-.000200 MATTE TIN ON THE SOLDER TAIL, ALL OVER .000050 NICKEL
- ⑧ HIGH TEMPERATURE CONFIGURATION.
- ⑨ OBSOLETE PARTS: OBSOLETE CIS STREAMLINING PER D.RENAUD/D.SINISI



OBSOLETE ⑨	⑧	⑦	2.600	2.520	2.400	24	25	7-103904-4
			2.500	2.420	2.300	23	24	7-103904-3
OBSOLETE ⑨	⑧	⑦	2.400	2.320	2.200	22	23	7-103904-2
			2.300	2.220	2.100	21	22	7-103904-1
OBSOLETE ⑨	⑧	⑦	2.200	2.120	2.000	20	21	7-103904-0
			2.100	2.020	1.900	19	20	6-103904-9
OBSOLETE ⑨	⑧	⑦	2.000	1.920	1.800	18	19	6-103904-8
			1.900	1.820	1.700	17	18	6-103904-7
OBSOLETE ⑨	⑧	⑦	1.800	1.720	1.600	16	17	6-103904-6
			1.700	1.620	1.500	15	16	6-103904-5
OBSOLETE ⑨	⑧	⑦	1.600	1.520	1.400	14	15	6-103904-4
			1.500	1.420	1.300	13	14	6-103904-3
OBSOLETE ⑨	⑧	⑦	1.400	1.320	1.200	12	13	6-103904-2
			1.300	1.220	1.100	11	12	6-103904-1
OBSOLETE ⑨	⑧	⑦	1.200	1.120	1.000	10	11	6-103904-0
			1.100	1.020	.900	9	10	5-103904-9
OBSOLETE ⑨	⑧	⑦	1.000	.920	.800	8	9	5-103904-8
			.900	.820	.700	7	8	5-103904-7
OBSOLETE ⑨	⑧	⑦	.800	.720	.600	6	7	5-103904-6
			.700	.620	.500	5	6	5-103904-5
OBSOLETE ⑨	⑧	⑦	.600	.520	.400	4	5	5-103904-4
			.500	.420	.300	3	4	5-103904-3
OBSOLETE ⑨	⑧	⑦	.400	.320	.200	2	3	5-103904-2
			.300	.220	.100	1	2	5-103904-1
OBSOLETE ⑨	⑧	⑦	2.600	2.520	2.400	24	25	2-103904-4
			2.500	2.420	2.300	23	24	2-103904-3
OBSOLETE ⑨	⑧	⑦	2.400	2.320	2.200	22	23	2-103904-2
			2.300	2.220	2.100	21	22	2-103904-1
OBSOLETE ⑨	⑧	⑦	2.200	2.120	2.000	20	21	2-103904-0
			2.100	2.020	1.900	19	20	1-103904-9
OBSOLETE ⑨	⑧	⑦	2.000	1.920	1.800	18	19	1-103904-8
			1.900	1.820	1.700	17	18	1-103904-7
OBSOLETE ⑨	⑧	⑦	1.800	1.720	1.600	16	17	1-103904-6
			1.700	1.620	1.500	15	16	1-103904-5
OBSOLETE ⑨	⑧	⑦	1.600	1.520	1.400	14	15	1-103904-4
			1.500	1.420	1.300	13	14	1-103904-3
OBSOLETE ⑨	⑧	⑦	1.400	1.320	1.200	12	13	1-103904-2
			1.300	1.220	1.100	11	12	1-103904-1
OBSOLETE ⑨	⑧	⑦	1.200	1.120	1.000	10	11	1-103904-0
			1.100	1.020	.900	9	10	103904-9
OBSOLETE ⑨	⑧	⑦	1.000	.920	.800	8	9	103904-8
			.900	.820	.700	7	8	103904-7
OBSOLETE ⑨	⑧	⑦	.800	.720	.600	6	7	103904-6
			.700	.620	.500	5	6	103904-5
OBSOLETE ⑨	⑧	⑦	.600	.520	.400	4	5	103904-4
			.500	.420	.300	3	4	103904-3
OBSOLETE ⑨	⑧	⑦	.400	.320	.200	2	3	103904-2
			.300	.220	.100	1	2	103904-1
REMARKS	PLATING	D	C	B	A	NO OF POS	ASSEMBLY PART NUMBER	

⑨ SUPERCEDED BY 6-103904-2

THIS DRAWING IS A CONTROLLED DOCUMENT. **STE** TE Connectivity

DIMENSIONS: INCHES. TOLERANCES UNLESS OTHERWISE SPECIFIED:

0 PLC	± .005
1 PLC	± .005
2 PLC	± .005
3 PLC	± .005
4 PLC	± .005
ANGLES	± .005

MATERIAL: SEE TABLE. FINISH: SEE TABLE.

APPROVED: J. GEFORD. DATE: 5-17-93. NAME: BRANDBERG. DATE: 5-17-93.

PRODUCT SPEC: 108-25034. APPLICATION SPEC: 108-25034.

SIZE: A1. CAGE CODE: 00779. DRAWING NO: 103904. RESTRICTED TO: CUSTOMER DRAWING.

SCALE: 4:1. SHEET: 1 OF 1. REV: P3.