

**PLEASE CHECK WWW.MOLEX.COM FOR LATEST PART INFORMATION**

**Part Number:** [0622019004](#)  
**Status:** **Active**  
**Overview:** [Application Tooling](#)  
**Description:** Installation Press-in Tool for Impel Plus 1.90mm Pitch Daughtercard Guided Assemblies (6-Pair by 10 Column)

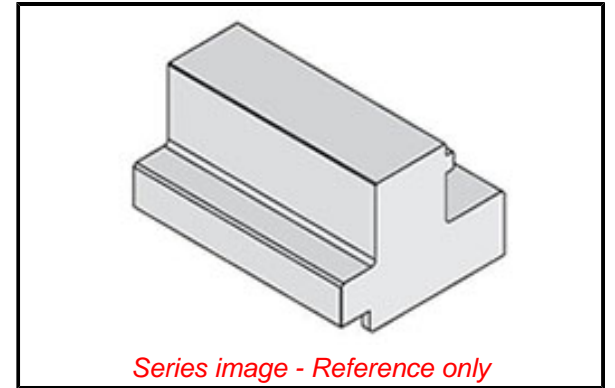
**Documents:**  
[RoHS Certificate of Compliance \(PDF\)](#)

**General**

Product Family	Application Tooling
Series	<a href="#">207123</a>
Function	Insertion
Geographic Area	Global
Level of Automation	Manual
More Detailed Tech Information	<a href="mailto:applicationtooling@molex.com">applicationtooling@molex.com</a>
Overview	<a href="#">Application Tooling</a>
Product Name	Impel
Tool Type	Press-Fit Insertion Tool
UPC	193264142675
Warranty Disclaimer	CAUTION: Molex tooling crimp specifications are valid only when used with Molex terminals and tooling manufactured by Molex and sold by Molex or authorized distributors ("Molex Tooling"). When using tooling other than Molex Tooling with Molex specific connector systems listed in our ATS documents, the Molex tooling qualification does not apply and the responsibility for full qualification of the connector system is that of the customer. Molex accepts no liability for connector performance or tooling support where tooling other than Molex Tooling is used or where Molex Tooling is modified.

**Material Info**

**Reference - Drawing Numbers**  
Application Tooling Documents [622019004-000](#)



**EU ELV**

**Not Reviewed**

**EU RoHS**

**Not Reviewed**

**REACH SVHC**

Not Reviewed

**Halogen-Free**

**Status**

**Not Reviewed**

For more information, please visit [Contact US](#)

China ROHS

Not Reviewed

ELV

Not Reviewed

RoHS Phthalates

Not Reviewed

**Search Parts in this Series**

[207123 Series](#)

**Application Tooling** | **FAQ**  
**Description** | **Product #**

Impel 90 Ohm, 6 Pair Right-Angle Daughtercard, 1.90mm Pitch, Left Guided, 16 Columns, 192 Circuits, Plated Through Hole Dimension 0.36mm	<a href="#">1714003026</a>
Impel 90 Ohm, 6 Pair Right-Angle Daughtercard, 1.90mm Pitch, Left Guided, 16 Columns, 192 Circuits, Plated Through Hole Dimension 0.36mm, Keying Orientation A	<a href="#">1714003126</a>
Impel 90 Ohm, 6 Pair Right-Angle Daughtercard, 1.90mm Pitch, Right Guided, 16 Columns,	<a href="#">1714005026</a>

192 Circuits, Plated  
Through Hole  
Dimension 0.36mm  
Impel 90 Ohm, 6 1714005126  
Pair Right-Angle  
Daughtercard,  
1.90mm Pitch, Right  
Guided, 16 Columns,  
192 Circuits, Plated  
Through Hole  
Dimension 0.36mm,  
Keying Orientation A

This document was generated on 06/17/2021

**PLEASE CHECK [WWW.MOLEX.COM](http://WWW.MOLEX.COM) FOR LATEST PART INFORMATION**