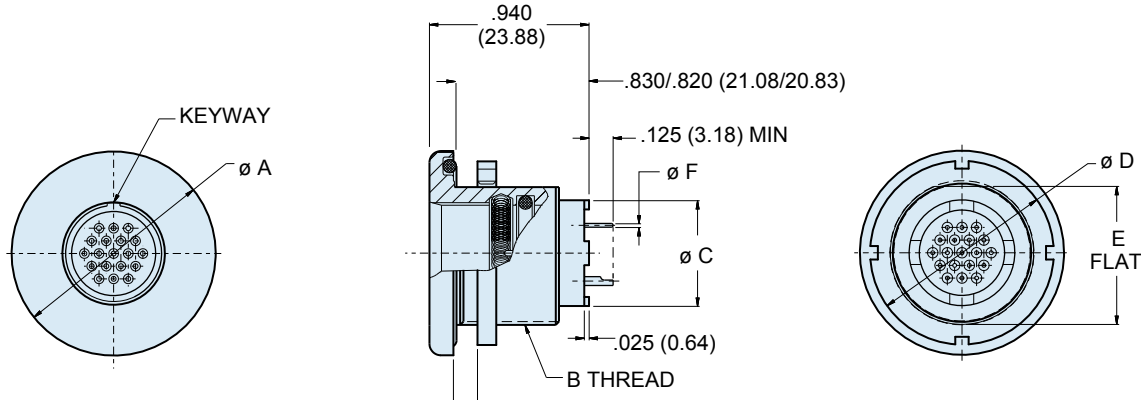


Jam nut, front panel mount receptacle- shell style 00



Front Panel Jam Nut
804-006-00

Dimensions										
Shell Size	Ø A		B Threads	Ø C		Ø D		E Flat		Ø F Tail Dia.
	In.	mm.		In.	mm.	In.	mm.	In.	mm.	
5	.830	21.08	.5000-32 UN-2A	.244	6.20	.625	15.87	.470	11.94	#23 .018/.022 (0.46/0.56) #20 .024/.028 (0.61/0.71) #16 .060/.064 (1.52/1.63) #12 .092/.096 (2.34/2.44)
6	.885	22.48	.5625-28 UN-2A	.336	8.53	.688	17.47	.530	13.46	
7	.995	25.27	.6875-28 UN-2A	.432	10.97	.812	20.62	.663	16.84	
8	.995	25.27	.6875-28 UN-2A	.493	12.52	.812	20.62	.663	16.84	
9	1.075	27.31	.7500-28 UN-2A	.551	14.00	.875	22.22	.720	18.29	
10	1.140	28.95	.8125-28 UN-2A	.620	15.75	.938	23.82	.788	20.02	
11	1.190	30.23	.8750-28 UN-2A	.662	16.81	1.000	25.4	.843	21.41	
12	1.340	34.04	1.0000-28 UN-2A	.703	17.86	1.125	28.57	.970	24.64	
14	1.390	35.31	1.0625-20 UN-2A	.863	21.92	1.162	30.18	1.020	25.91	

Table IV: Front Mount Jam Nut Panel Cutout

Shell Size	A Flat		Ø B	
	In. ± .002	mm. ± 0.05	In. ± .005	mm. ± 0.13
5	.480	12.19	0.510	12.95
6	.538	13.67	0.575	14.61
7	.671	17.04	0.698	17.73
8	.671	17.04	0.698	17.73
9	.728	18.49	0.760	19.30
10	.796	20.22	0.822	20.88
11	.851	21.62	0.885	22.48
12	.978	28.84	1.010	25.65
14	1.028	26.11	1.075	27.31

Dimensions in Inches (millimeters) are subject to change without notice.