



1 dB Fixed Attenuator, TNC Male To TNC Female
Rated To 10 Watts Up To 18 GHz

TECHNICAL DATA SHEET

PE7053-1

1 dB Fixed Attenuator, TNC Male To TNC Female Rated To 10 Watts Up To 18 GHz

Configuration

Design	Fixed, Bidirectional Attenuator
Connector 1	TNC Male
Connector 2	TNC Female

Electrical Specifications

Frequency Range, GHz	DC to 18
Impedance, Ohms	50
Attenuation Value, dB	1
Maximum Input Power, Watts	10
Maximum VSWR	1.4:1

Frequency 1

Range, GHz	DC to 18
Attenuation Accuracy, dB	± 0.5

Mechanical Specifications

Size

Length, in [mm]	2.58 [65.53]
Width, in [mm]	1 [25.4]

Connector 1

Type	TNC Male
Connector Specification	MIL-STD-348

Connector 2

Type	TNC Female
Connector Specification	MIL-STD-348

Compliance Certifications (visit www.Pasternack.com for current document)

RoHS Compliant	Yes
----------------	-----

Click the following link (or enter part number in "SEARCH" on website) to obtain additional part information including price, inventory and certifications: [1 dB Fixed Attenuator, TNC Male To TNC Female Rated To 10 Watts Up To 18 GHz PE7053-1](#)

The information contained in this document is accurate to the best of our knowledge and representative of the part described herein. It may be necessary to make modifications to the part and/or the documentation of the part, in order to implement improvements. Pasternack reserves the right to make such changes as required. Unless otherwise stated, all specifications are nominal.





1 dB Fixed Attenuator, TNC Male To TNC Female
Rated To 10 Watts Up To 18 GHz

TECHNICAL DATA SHEET

PE7053-1

Plotted and Other Data

Notes:

Values at 25 °C, sea level

1 dB Fixed Attenuator, TNC Male To TNC Female Rated To 10 Watts Up To 18 GHz from Pasternack Enterprises has same day shipment for domestic and International orders. Our RF, microwave and fiber optic products maintain a 99% availability and are part of the broadest selection in the industry.

Click the following link (or enter part number in "SEARCH" on website) to obtain additional part information including price, inventory and certifications: [1 dB Fixed Attenuator, TNC Male To TNC Female Rated To 10 Watts Up To 18 GHz PE7053-1](http://www.pasternack.com/1db-fixed-tnc-male-tnc-female-10-watts-attenuator-pe7053-1-p.aspx)

URL: <http://www.pasternack.com/1db-fixed-tnc-male-tnc-female-10-watts-attenuator-pe7053-1-p.aspx>

The information contained in this document is accurate to the best of our knowledge and representative of the part described herein. It may be necessary to make modifications to the part and/or the documentation of the part, in order to implement improvements. Pasternack reserves the right to make such changes as required. Unless otherwise stated, all specifications are nominal.

PE7053-1 CAD Drawing

1 dB Fixed Attenuator, TNC Male To TNC Female Rated To 10 Watts Up To 18 GHz

P/N	ATTEN.	FIGURE
PE7053-1	1 dB	1
PE7053-2	2 dB	1
PE7053-3	3 dB	1
PE7053-6	6 dB	1
PE7053-10	10 dB	1
PE7053-20	20 dB	1
PE7053-30	30 dB	2
PE7053-40	40 dB	2

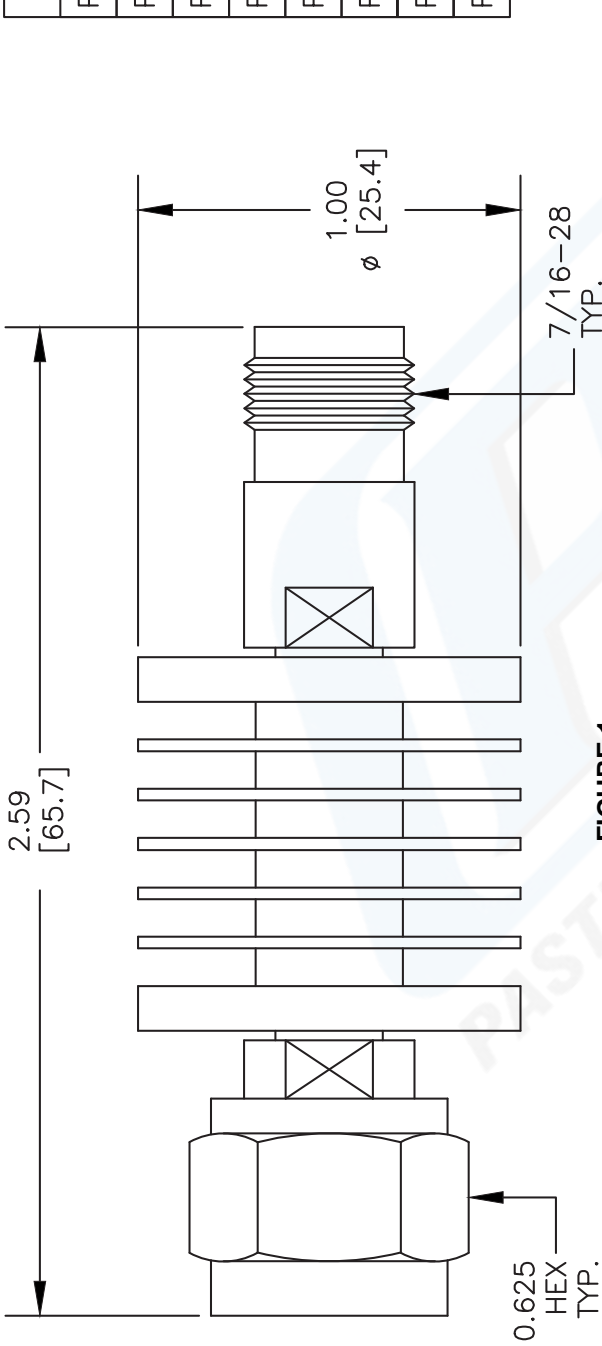
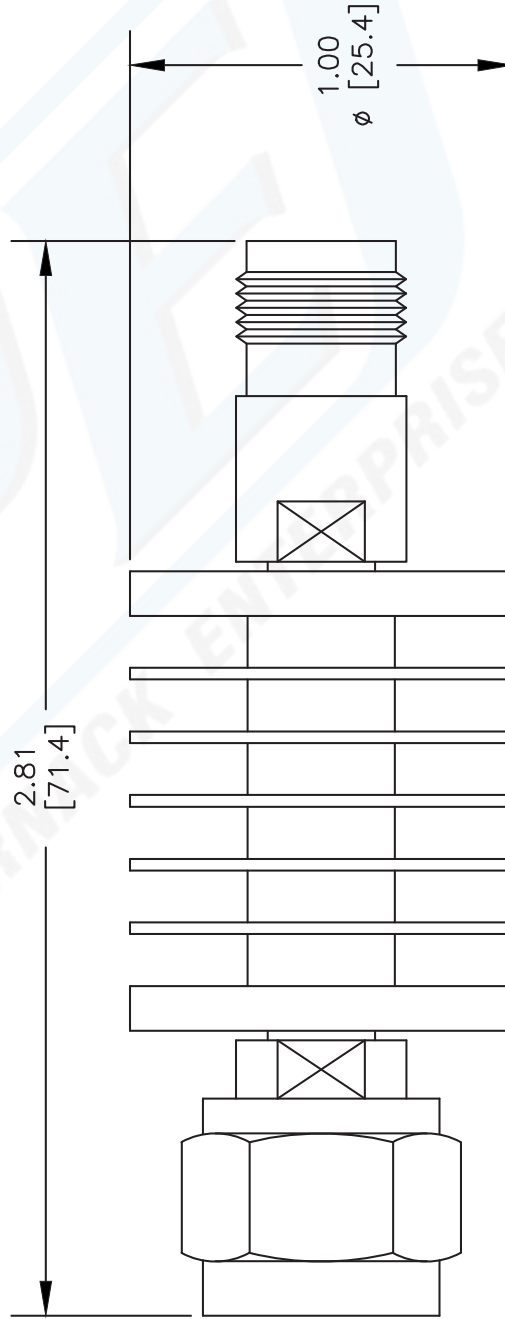


FIGURE 1



TNC MALE

FIGURE 2

TNC FEMALE



Pasternack Enterprises, Inc.
 P.O. Box 16759 | Irvine | CA | 92623
 Phone: (949) 261-1920 | Fax: (949) 261-7451
 Website: www.pasternack.com | E-Mail: sales@pasternack.com

DWG TITLE

PE7053

FSCM NO. 53919

NOTES:
 1. UNLESS OTHERWISE SPECIFIED ALL DIMENSIONS ARE NOMINAL.
 2. ALL SPECIFICATIONS ARE SUBJECT TO CHANGE WITHOUT NOTICE AT ANY TIME.
 3. DIMENSIONS ARE IN INCHES [mm].

CAD FILE 030613

SCALE N/A

SIZE A

XXXX