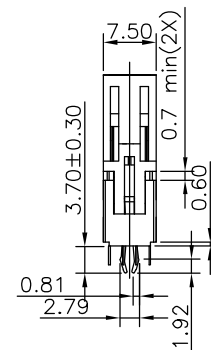
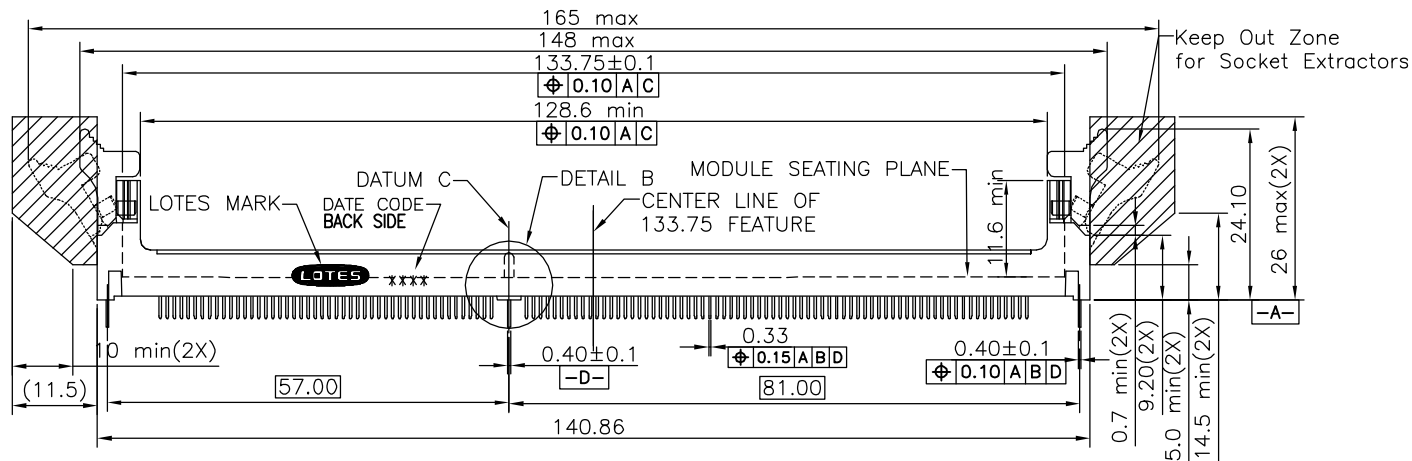
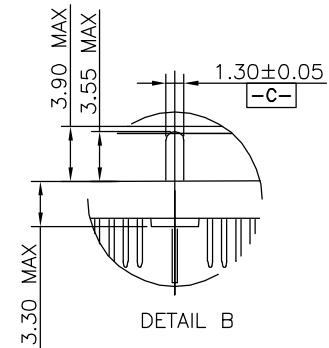
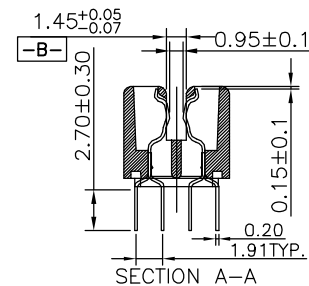
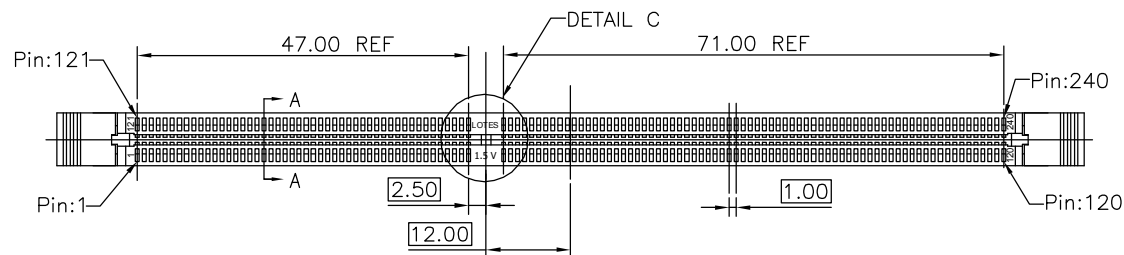


REV.	ECN NO.	DATE
E	R150233	10/13'15

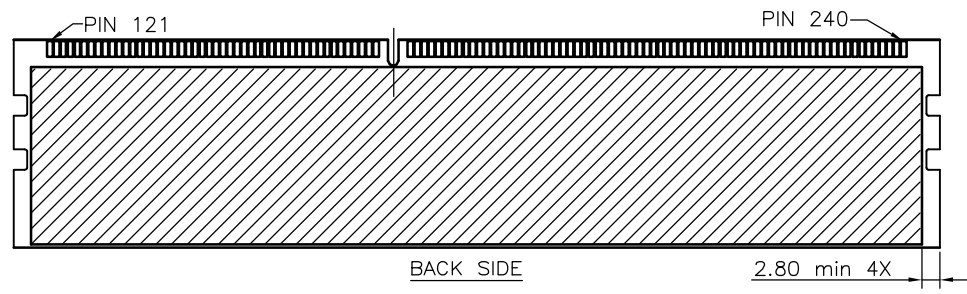
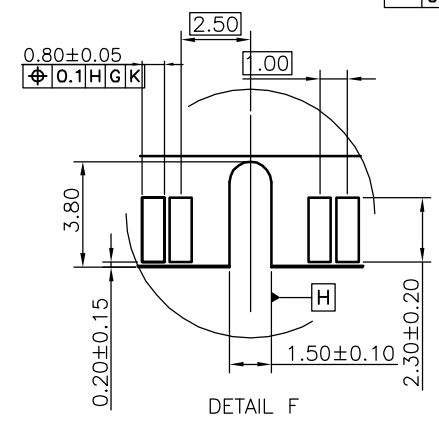
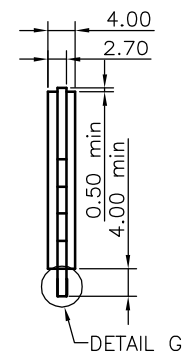
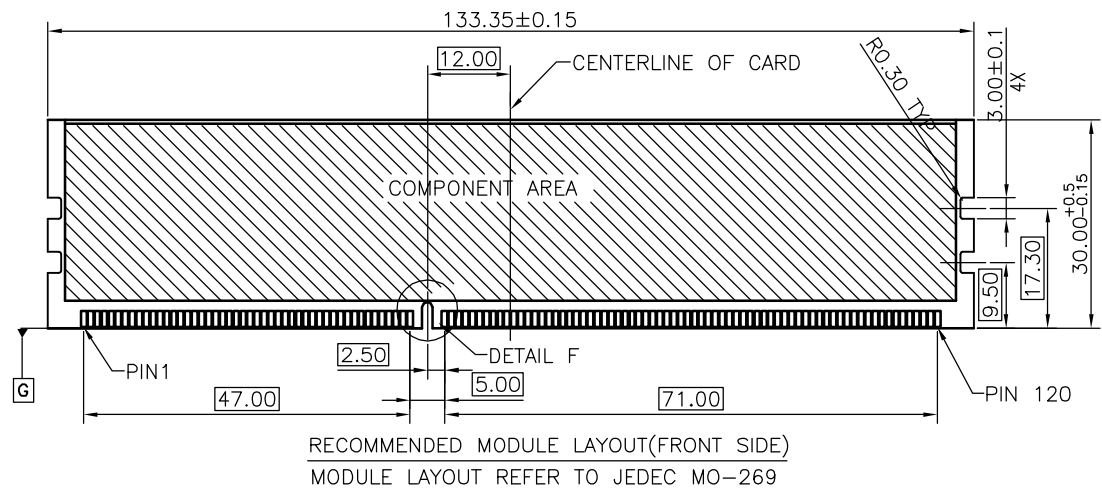
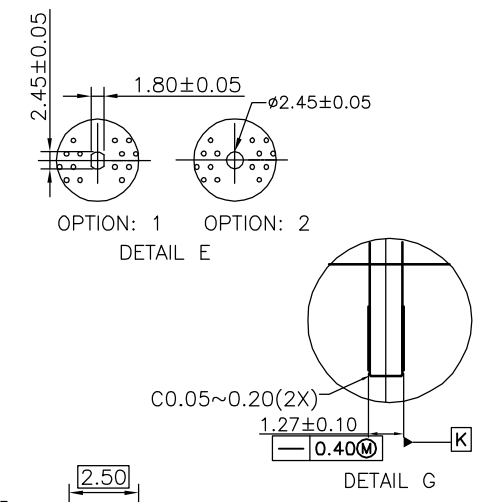
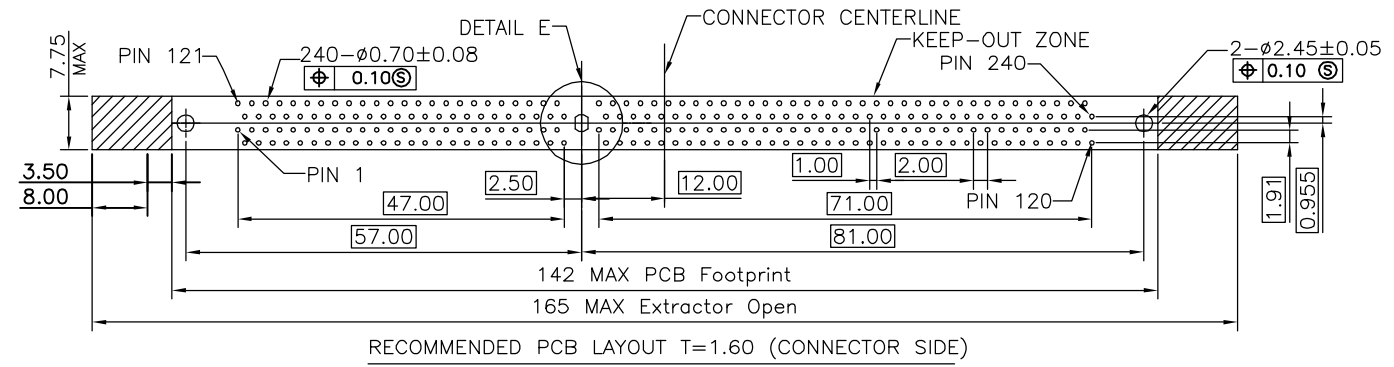


NOTES:

- MATERIAL:  
HOUSING:THERMOPLASTIC UL94V-0. COLOR:SEE TABLE.  
EJECTOR:THERMOPLASTIC. COLOR:SEE TABLE.  
UL94V-0 OR UL94V-2(SEE TABLE).  
CONTACT: BRASS ALLOY  
FORKLOCK:STEEL ALLOY
- FINISH:  
CONTACT:UNDER PLATING: NI 50U" MIN.  
CONTACT AREA: SEE TABLE  
SOLDER AREA: MATTE TIN 100U" MIN.  
FORKLOCK:40U" MIN NI UNDER PLATING.  
MATTE TIN 80U" MIN ON NI.
- MECHANICAL AND ELECTRICAL SPEC:  
DURABILITY: 25 CYCLES  
RETENTION FORCE: 0.30kgf/PIN MIN  
MATING FORCE: 10.8kgf MAX  
UNMATING FORCE: 1.68kgf MIN  
CONTACT RESISTANCE: 30mΩ MAX  
DIELECTRIC WITHSTANDING VOLTAGE: 500V AC  
INSULATION RESISTANCE: 1000MΩ MIN
- RoHS COMPLIANT OR HALOGEN FREE COMPLIANT.
- THE CONNECTOR SHALL BE MOUNTED ON THE PCB, THE TEMPERATURE OF THE SOLDER SHALL BE: 270°C AND IMMERSION DURATION:10 SECONDS MAX.
- DATE CODE:  
\*\* \*\* WW  
YY
- PRODUCT NUMBER NOTE:  
AAA - DDR - \*\*\* - \*\*\*  
TYPE SERIAL NUMBER  
K:RoHS COMPLIANT  
P:HF COMPLIANT  
PRODUCT SERIAL NUMBER  
PRODUCT TYPE  
FINISHED PRODUCT  
CARD EDGE CONNECTOR  
CONNECTOR

GENERAL TOLERANCES UNLESS SPECIFIED		PART NO. SEE TABLE	<b>LOTES</b>		
.X±0.35	X'±3'				
.XX±0.25	.X'±2'		Bill	DDR III 240 PIN CONNECTOR	
.XX ±0.15	.XX'±1.0'	CHECKED BY	DWG NO.		
CUSTOMER DRAWING		Bill	GAP-AAA-DDR-184		
SIZE	UNITS	DRAWN BY	SHEET	SCALE	REV
A4	MM[INCH]	Grider			

REV.	ECN NO.	DATE
E	R150233	10/13'15



GENERAL TOLERANCES UNLESS SPECIFIED		PART NO. SEE TABLE	<b>LOTES</b>			
.X±0.35	X'±3"					APPROVED BY
.XX±0.25	.X'±2"		Bill	DDR III 240 PIN CONNECTOR		
.XXX±0.15	.XX'±1.0"	CHECKED BY	DWG NO.	SHEET SCALE REV		
CUSTOMER DRAWING		Bill	GAP-AAA-DDR-184			
SIZE	UNITS	DRAWN BY	DRAWN BY	SHEET	SCALE	REV
A4	MM[INCH]	Grider				

F  
E  
D  
C  
B  
A

F  
E  
D  
C  
B  
A

1 2 3 4 5 6 7 8

1 2 3 4 5 6 7 8

P/N	CONTACT FINISH	OLD P/N	DIM"A"
AAA-DDR-184-K31	Housing_Black,Brass_G/F,Black Ejector UL94V-0	AAA-DDR-142-K31	2.7mm
AAA-DDR-184-K77	Housing_Gray 431C,Brass_G/F,Gray 431C Ejector UL94V-2	AAA-DDR-142-K77	