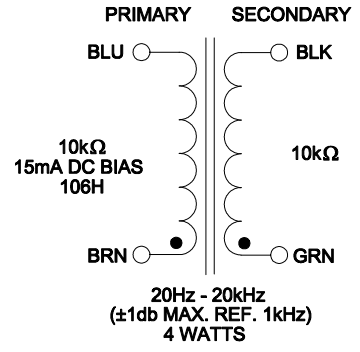
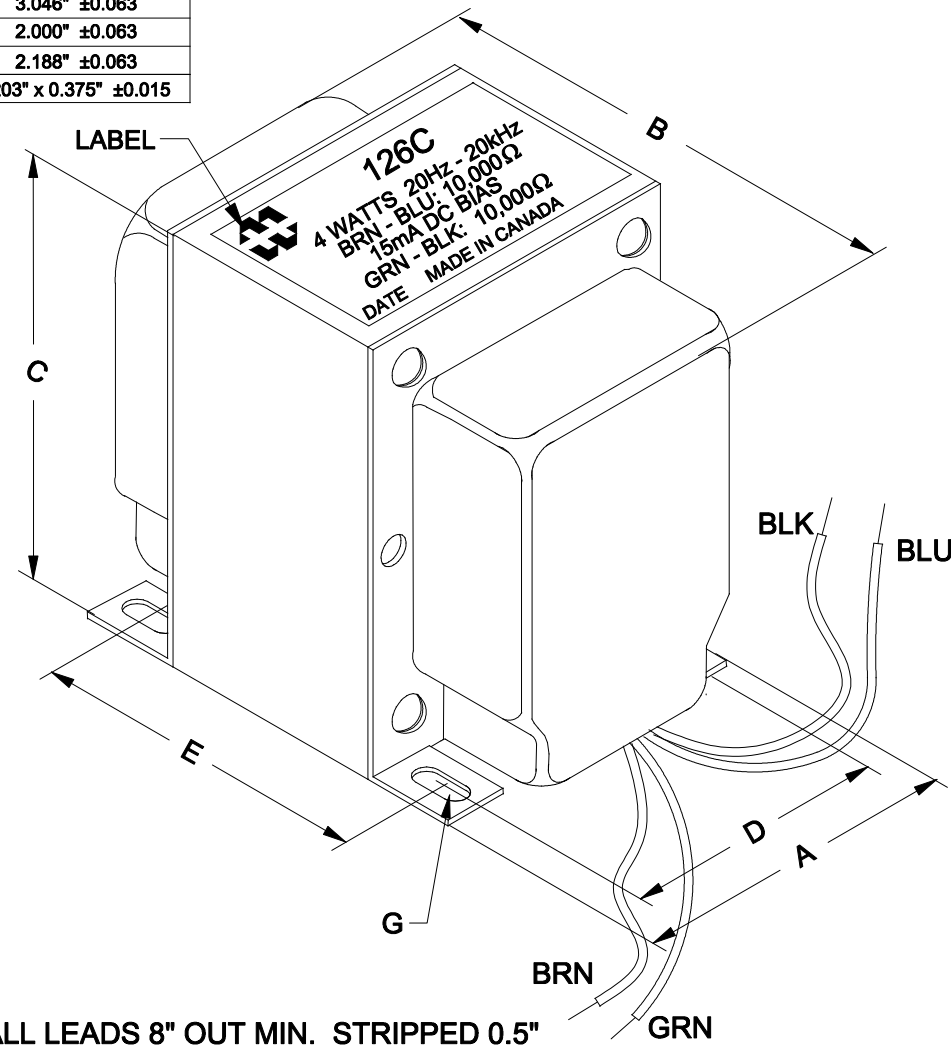


DIMENSIONS:	
A	2.500" ±0.063
B	3.185" ±0.125
C	3.046" ±0.063
D	2.000" ±0.063
E	2.188" ±0.063
G	0.203" x 0.375" ±0.015



NOTE: ALL LEADS 8" OUT MIN. STRIPPED 0.5"

ELECTRICAL DATA:		
TESTS	CONDITIONS	ACCEPTANCE CRITERIA
Iex	@ 200V, 60Hz, BRN - BLU	5mA ±15%
Sec. N.L.V	@ 200V, 60Hz, BRN - BLU	
	GRN - BLK =	200.0V ±2%
DCR	@ 20°C, BRN - BLU =	375.0 Ω ±20%
	@ 20°C, GRN - BLK =	375.0 Ω ±20%
HIPOT	PRIMARY - SECONDARY	1000VDC, 1 SEC

REV.#	REVISION	DATE	HAMMOND MANUFACTURING™		ELECTRONIC DIVISION		PH # (519) 886-6181 FAX # (519) 886-9540
0	RELEASED.	C.I. 04/18/17	52 RANKIN PLACE, WATERLOO, ONTARIO, N2J 3Z5		TITLE: TUBE DRIVER - INTERSTAGE TRANSFORMER		
			DWG. BY: C. ILIE	CHK'D BY:	DWG. NO. 126C		
			DATE: 04/18/17	APP'D. BY:			
				DIMENSIONS: IN(X) MM( )			